



T&S BRASS AND BRONZE WORKS, INC.
 2 Saddleback Cove / P.O. Box 1088
 Travelers Rest, SC 29690



REG. #A2601
 ISO #9001

Model No.
B-0100-C

Item No.

Travelers Rest, SC: 800-476-4103 Simi Valley, CA: 800-423-0150 Fax: 864-834-3518 www.tsbrass.com

This Space for Architect/Engineer Approval

Job Name _____ Date _____

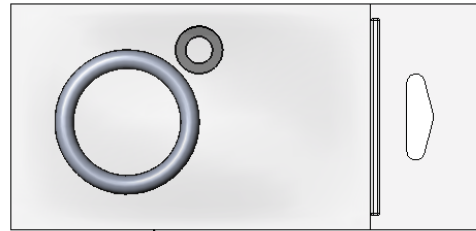
Model Specified _____ Quantity _____

Customer/Wholesaler _____

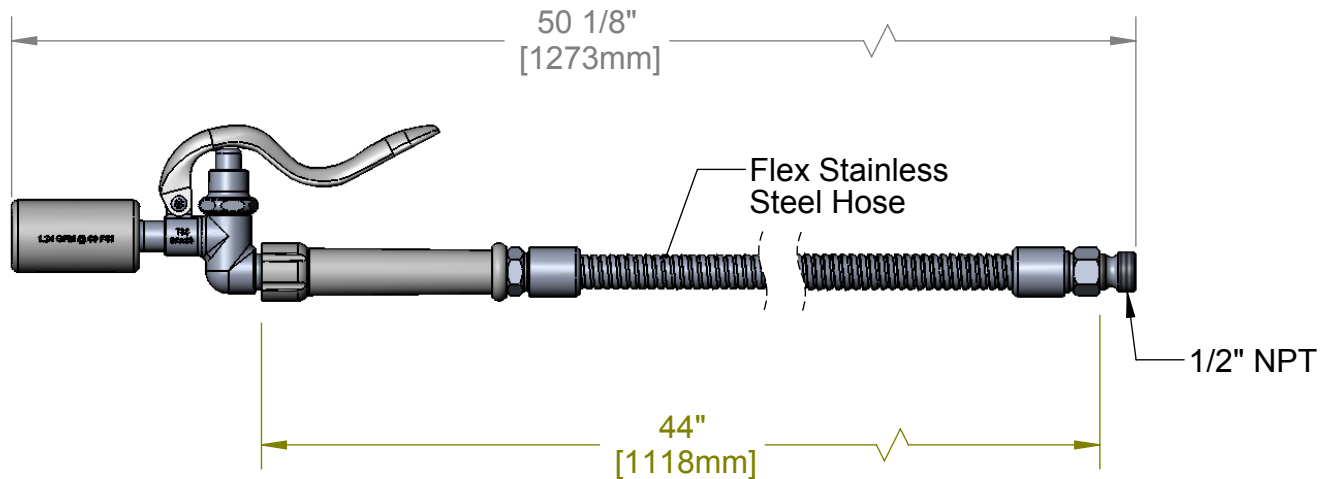
Contractor _____

Architect/Engineer _____

EPA Act 2005 COMPLIANT



Furnished w/ Hose Washer & Hold Down Ring



Note: Standard Flex Hose Is 44" Long
 Any Length Is Available

Product Specifications:
B-0107-C Spray Valve w/ B-0044-H Flex Hose

Drawn KJG	Checked DHL	Approved JHB
Scale: 1:4		Date: 11/15/07



T&S BRASS AND BRONZE WORKS, INC.

2 Saddleback Cove / P.O. Box 1088
Travelers Rest, SC 29690



REG. #A2601
ISO #9001

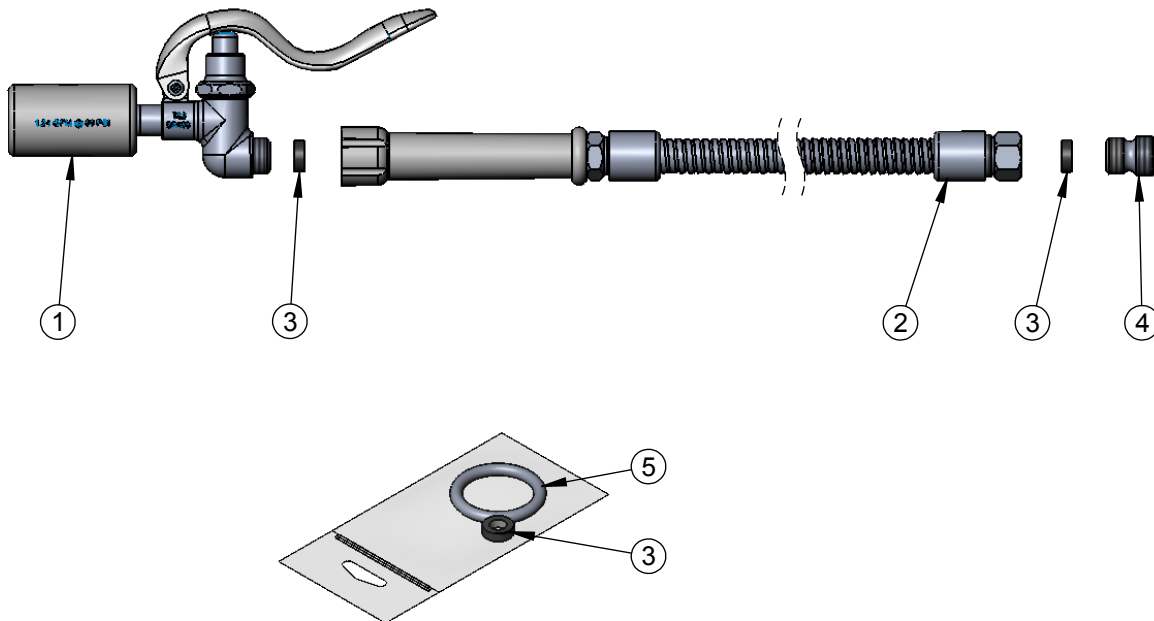
Model No.

B-0100-C

Item No.

Travelers Rest, SC: 800-476-4103 Simi Valley, CA: 800-423-0150 Fax: 864-834-3518 www.tsbrass.com

ITEM NO.	SALES NO.	DESCRIPTION
1	B-0107-C	Low-Flow Spray Valve Asm
2	B-0044-H	Stainless Steel Hose
3	010476-45	#27 Washer
4	000547-25	Adapter
5	000907-45	Ring, Spray Valve Hold Down



Product Specifications:

B-0107-C Spray Valve w/ B-0044-H Flex Hose

Drawn

KJG

Checked

DHL

Approved

JHB

Scale:

None

Date:

11/15/07