



T&S BRASS AND BRONZE WORKS, INC.

2 SADDLEBACK COVE / P.O. BOX 1088 / TRAVELERS REST, SC 29690

(803) 834-4102 TELEX 57-0311 FAX (803) 834-3518

Model No.

B-0102-C

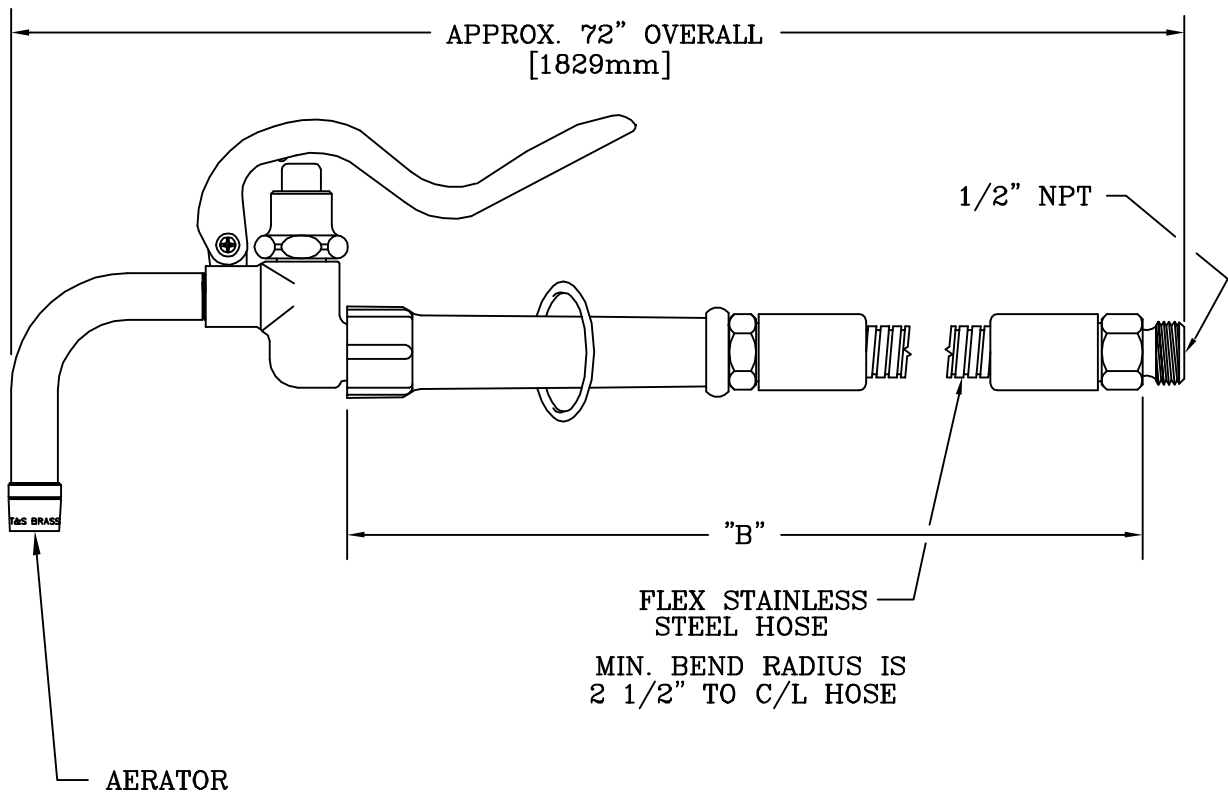
Item No.:

Job Name:

Architect/Engineer Approval:

Notes:

SEE SPEC. DWG. NO. B-0104 FOR MOUNTING ACCESSORIES



NOTE: "B" STANDARD HOSE UNIT IS 68"[1727mm] ANY LENGTH IS AVAILABLE

FURNISHED W/ 1/2" MALE INLET NPT ADAPTER.
ALSO AVAILABLE W/ 3/8", 1/2" OR 3/4" NPT MALE OR FEMALE, AND GARDEN HOSE FEMALE ADAPTER.

Product Description:
POT & GLASS FILLER SPRAY ASM

Drawn:
SCM

Checked
JKD

Scale:
3/8" = 1'

Approved
CA

Date:
08/23/95