



T&S BRASS AND BRONZE WORKS, INC.

2 SADDLEBACK COVE / P.O. BOX 1088 / TRAVELERS REST, SC 29690

PHONE 800-476-4103

FAX 864-834-3518



REG.#A2601
ISO #9002

Model No.

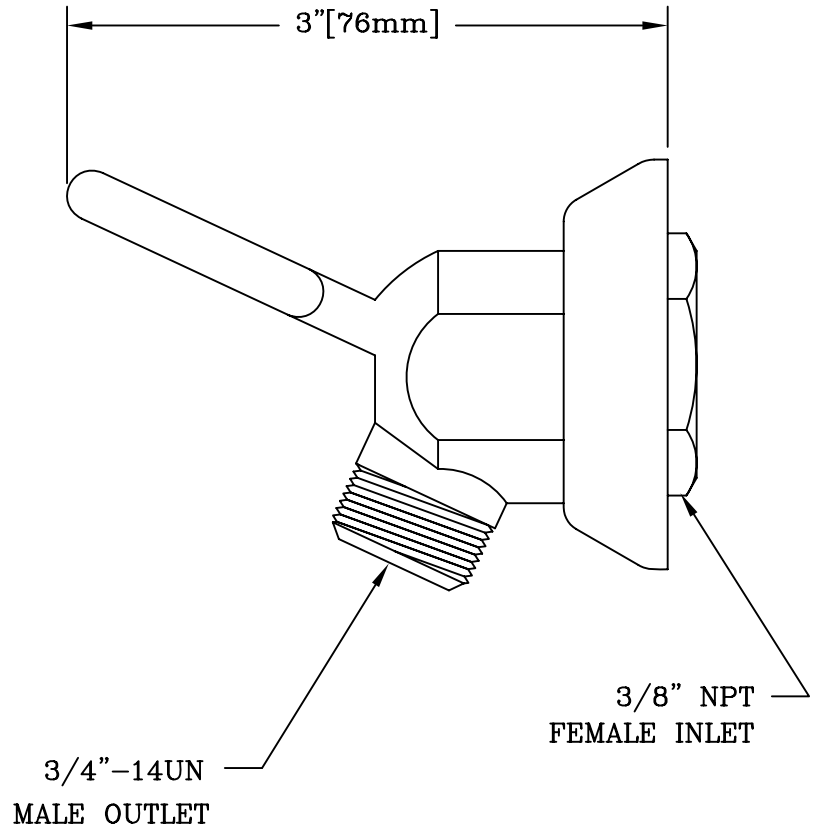
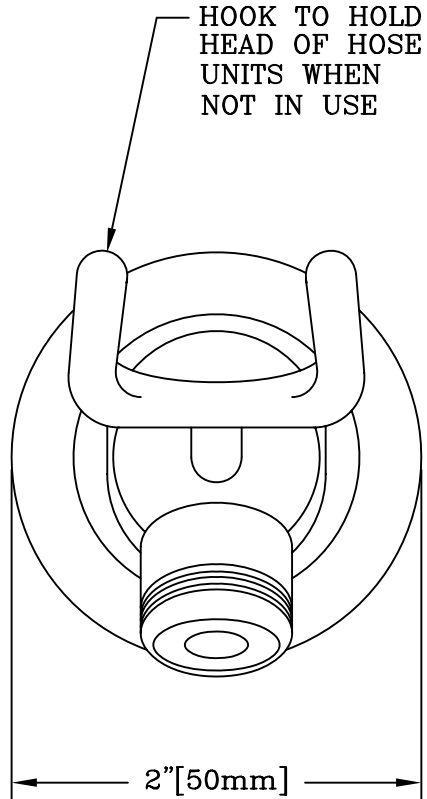
B-0104

Item No.:

Job Name:

Architect/Engineer Approval:

Notes:



Product Description:

WALL HOOK OUTLET (3/4-14UN MALE OUTLET THREADS)

Drawn:

DHL

Checked

JRM

Scale:

1' = 1'

Approved

JHB

Date:

01/14/2010