



T&S BRASS AND BRONZE WORKS, INC.
 2 SADDLEBACK COVE / P.O. BOX 1088 / TRAVELERS REST, SC 29690
 PHONE 800-476-4103 FAX 864- 834-3518



REG.#A2601
 ISO #9002

Model No.

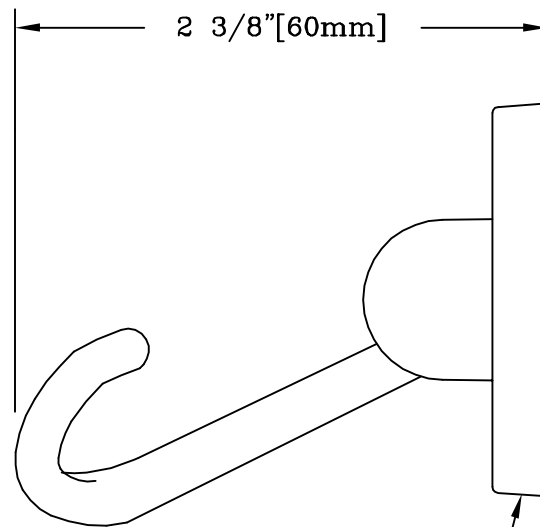
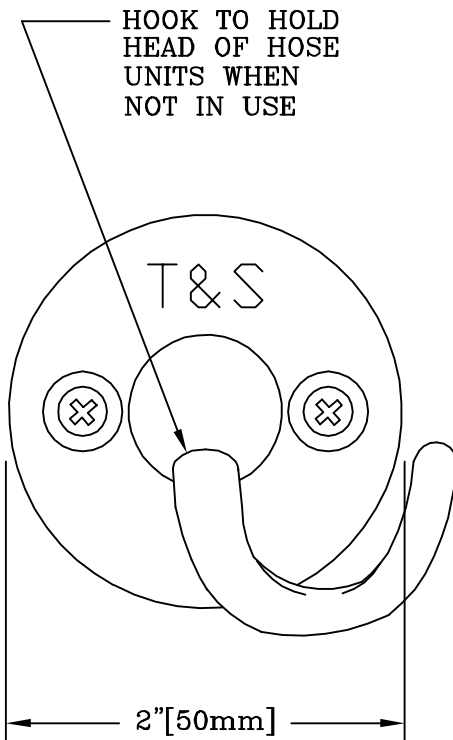
B-0104-D

Item No.:

Job Name:

Architect/Engineer Approval:

Notes:



FURNISHED WITH TWO CHROME
 PLATED #12 WOOD SCREWS

INLET END OF HOSE MUST BE
 ATTACHED TO A WATER OUTLET

Product Description:

DUMMY WALL HOOK

Drawn:

MCW

Approved

CA

Checked

ARY

Scale:

1' = 1'

Date:

4/10/95