



# T&S BRASS AND BRONZE WORKS, INC.

2 Saddleback Cove / P.O. Box 1088  
Travelers Rest, SC 29690



REG. #A2601  
ISO #9001

Model No.

**B-0107-C35**

Item No.

Travelers Rest, SC: 800-476-4103 Simi Valley, CA: 800-423-0150 Fax: 864-834-3518 www.tsbrass.com

This Space for Architect/Engineer Approval

Job Name \_\_\_\_\_ Date \_\_\_\_\_

Model Specified \_\_\_\_\_ Quantity \_\_\_\_\_

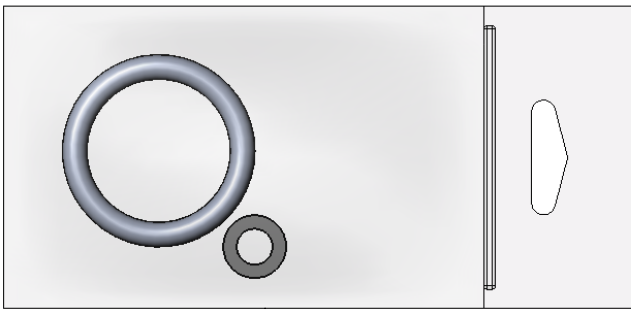
Customer/Wholesaler \_\_\_\_\_

Contractor \_\_\_\_\_

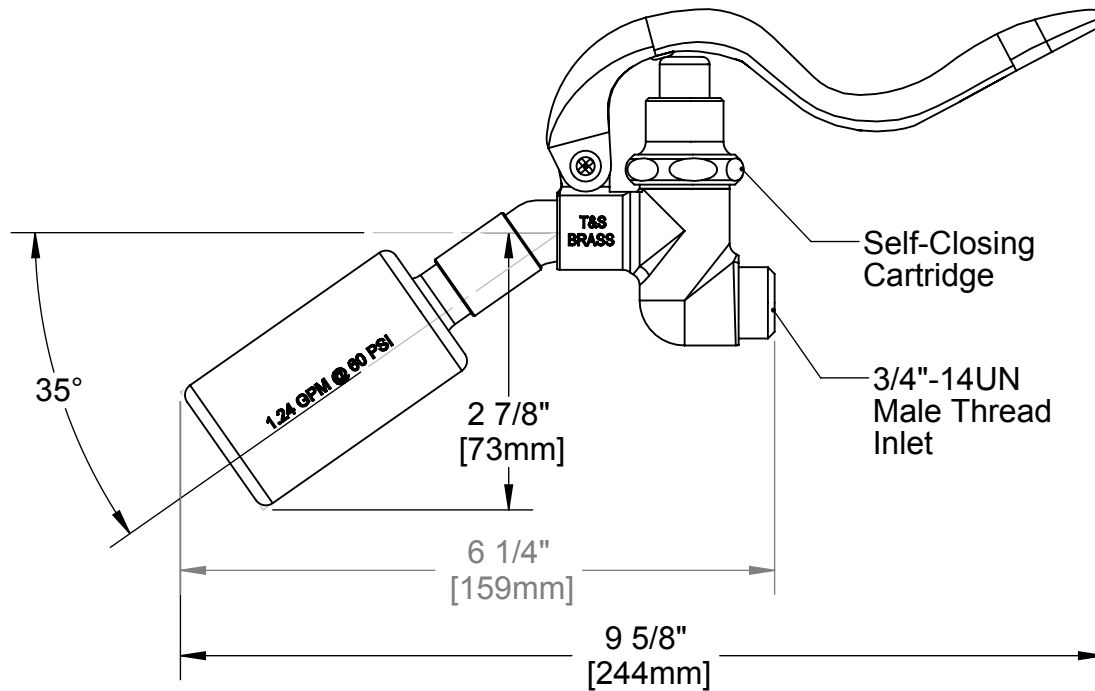
Architect/Engineer \_\_\_\_\_



**EPAct 2005 Compliant**



Furnished w/ Hose washer  
& Hold Down Ring



Product Specifications:  
Spray Valve Unit w/ Angle Low-Flow Nozzle

Drawn  
KJG

Checked  
DHL

Approved  
JHB

Scale:

1:2

Date:

9/28/07



# T&S BRASS AND BRONZE WORKS, INC.

2 Saddleback Cove / P.O. Box 1088  
Travelers Rest, SC 29690



REG. #A2601  
ISO #9001

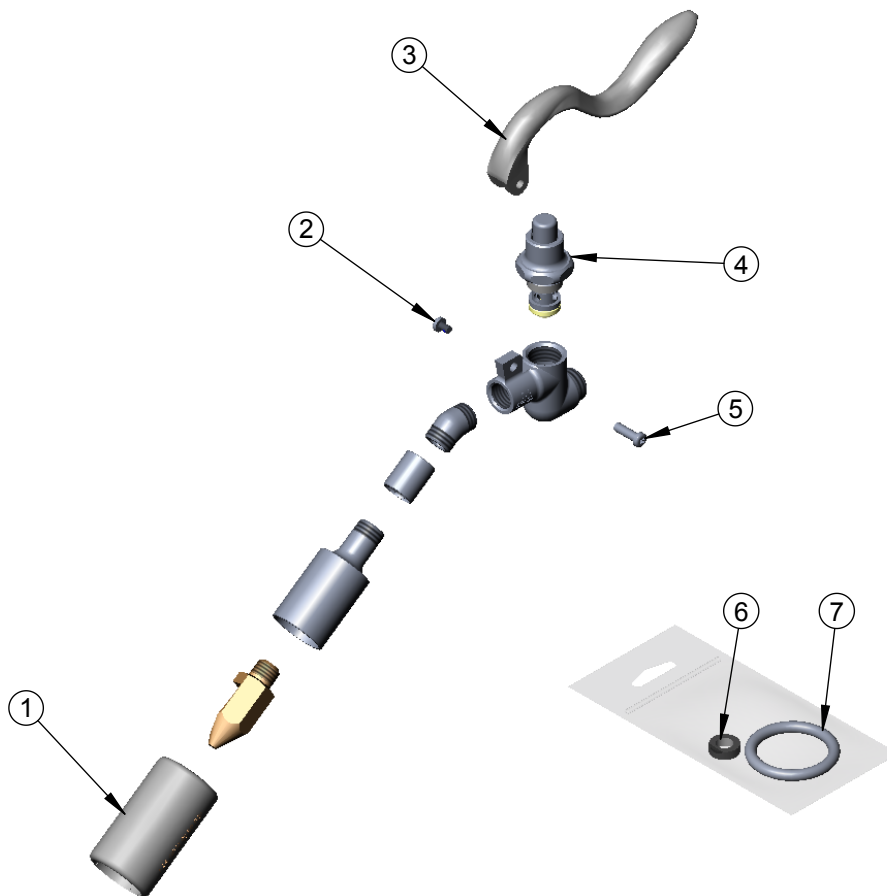
Model No.

**B-0107-C35**

Item No.

Travelers Rest, SC: 800-476-4103 Simi Valley, CA: 800-423-0150 Fax: 864-834-3518 www.tsbrass.com

ITEM NO.	SALES NO.	DESCRIPTION
1	002659-45	Shield, Low Flow
2	003199-45	Handle Screw, Spray Valve
3	001120-45	Spray Valve Handle
4	002856-40	Bonnet Asm, Spray Valve
5	003198-45	Handle Nut, Spray Valve
6	010476-45	#27 Washer
7	000907-45	Ring, Spray Valve Hold Down



Product Specifications:

Spray Valve Unit w/ Angle Low-Flow Nozzle

Drawn

KJG

Checked

DHL

Approved

JHB

Scale:

NTS

Date:

9/28/07