



T&S BRASS AND BRONZE WORKS, INC.

2 Saddleback Cove / P.O. Box 1088
Travelers Rest, SC 29690



REG. #A2601
ISO #9001

Model No.

B-0108-C

Item No.

Travelers Rest, SC: 800-476-4103 Simi Valley, CA: 800-423-0150 Fax: 864-834-3518 www.tsbrass.com

This Space for Architect/Engineer Approval

Job Name _____ Date _____

Model Specified _____ Quantity _____

Customer/Wholesaler _____

Contractor _____

Architect/Engineer _____

EPAct2005 COMPLIANT

Non-Slip Ergonomic Santoprene Grip w/ Built-in Heat Dissipation Channels
Crush-Resistant w/ Delrin Waterways

Extra Washer For Hose Connections

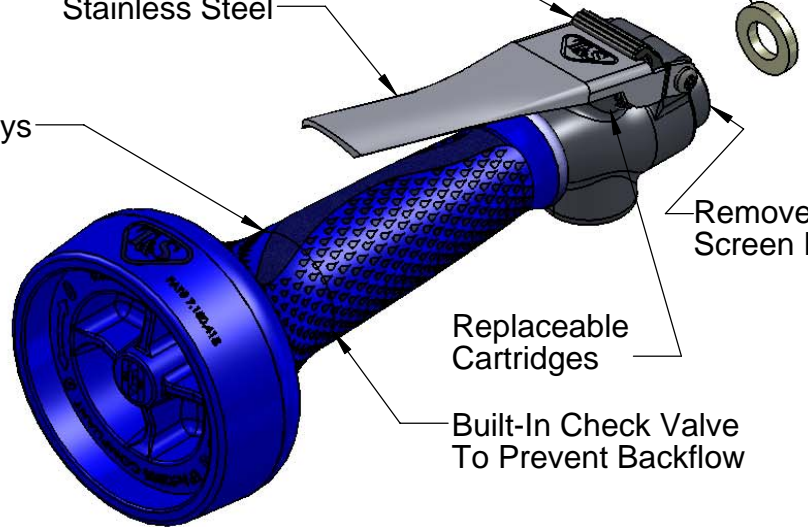
One-Handed Metal Trigger Lock w/ Added Anti-Rotational Feature

Surgical-Grade Polished Stainless Steel

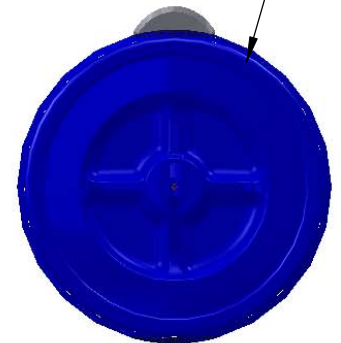
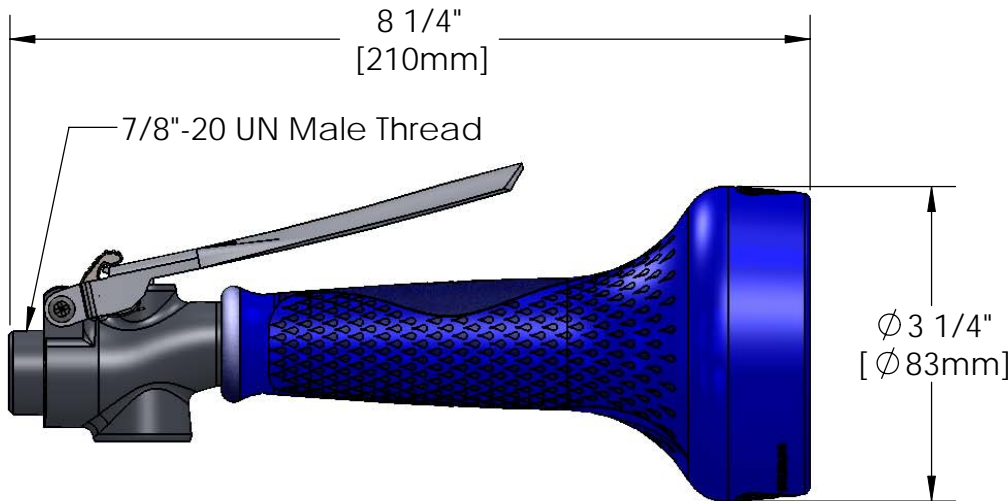
Removeable Screen Filter

Replaceable Cartridges

Built-In Check Valve To Prevent Backflow



0.65 GPM @ 60 PSI
Optional B-0108
1.48 GPM Available



Product Specifications:

0.65 GPM Spray Valve w/ Ergo-Grip, Replaceable Spray Face, & Integrated One-Handed Trigger Lock

Drawn	Checked	Approved
JRM	DMH	JHB
Scale:		Date:
1:2		12/04/09



T&S BRASS AND BRONZE WORKS, INC.

2 Saddleback Cove / P.O. Box 1088
Travelers Rest, SC 29690



REG. #A2601
ISO #9001

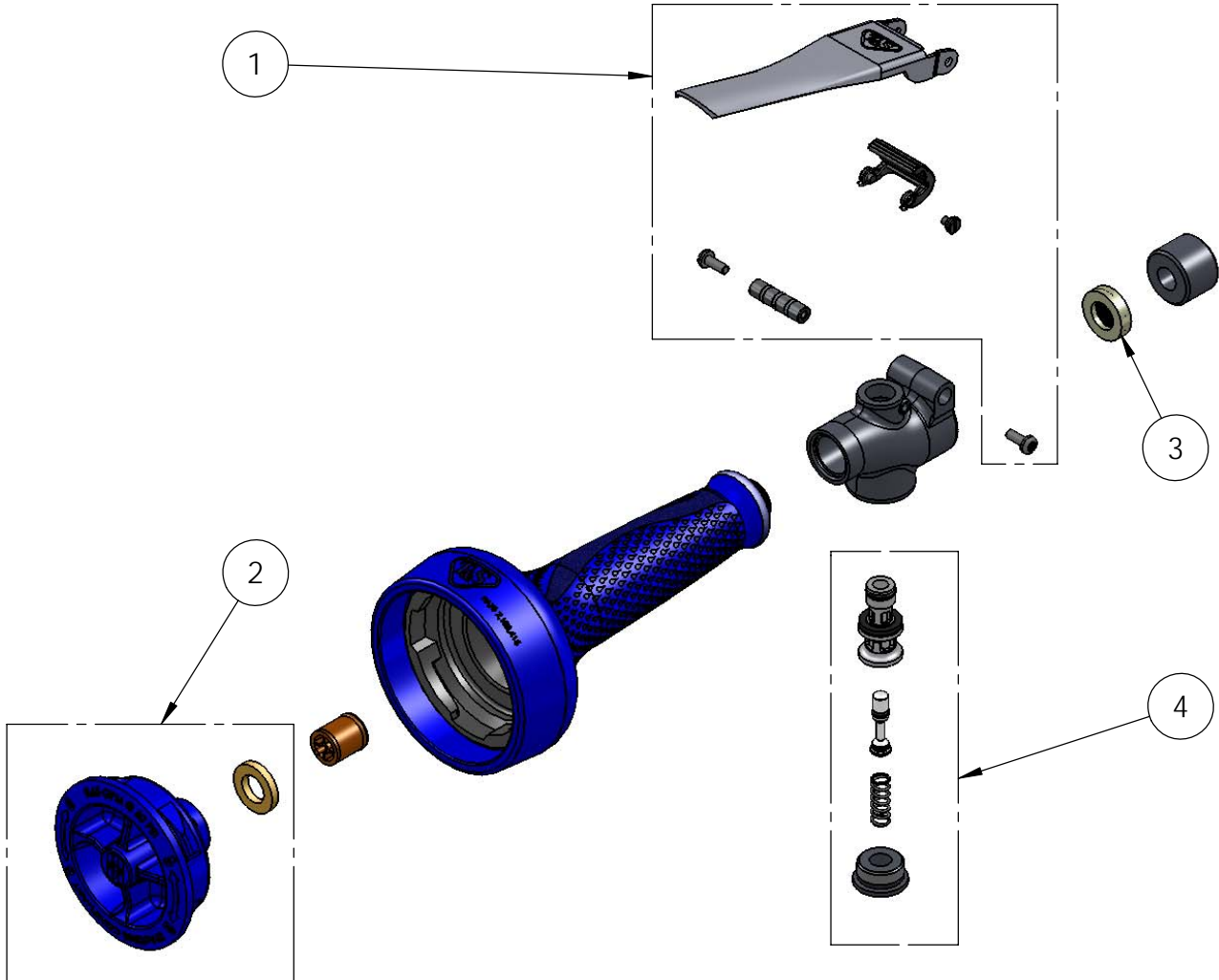
Model No.

B-0108-C

Item No.

Simi Valley, CA: 800-423-0150 Fax: 864-834-3518 www.tsbrass.com

ITEM NO.	SALES NO.	DESCRIPTION
1	108T-RK	Trigger Repair Kit
2	108CSF-RK	Spray Face Repair Kit
3	108S-RK	Inlet Screen/Washer Repair Kit
4	108V-RK	Valve Repair Kit



Note:
Individual Items in Repair Kits
are not Sold Separately

Product Specifications:
**0.65 GPM Spray Valve w/ Ergo-Grip,
Replaceable Spray Face, &
Integrated One-Handed Trigger Lock**

Drawn JRM	Checked DMH	Approved JHB
Scale: NTS		Date: 12/04/09