



# T&S BRASS AND BRONZE WORKS, INC.

2 Saddleback Cove / P.O. Box 1088  
Travelers Rest, SC 29690



REG. #A2601  
ISO #9001

Model No.

B-0123

Item No.

Travelers Rest, SC: 800-476-4103 Simi Valley, CA: 800-423-0150 Fax: 864-834-3518 www.tsbrass.com

This Space for Architect/Engineer Approval

Job Name \_\_\_\_\_ Date \_\_\_\_\_

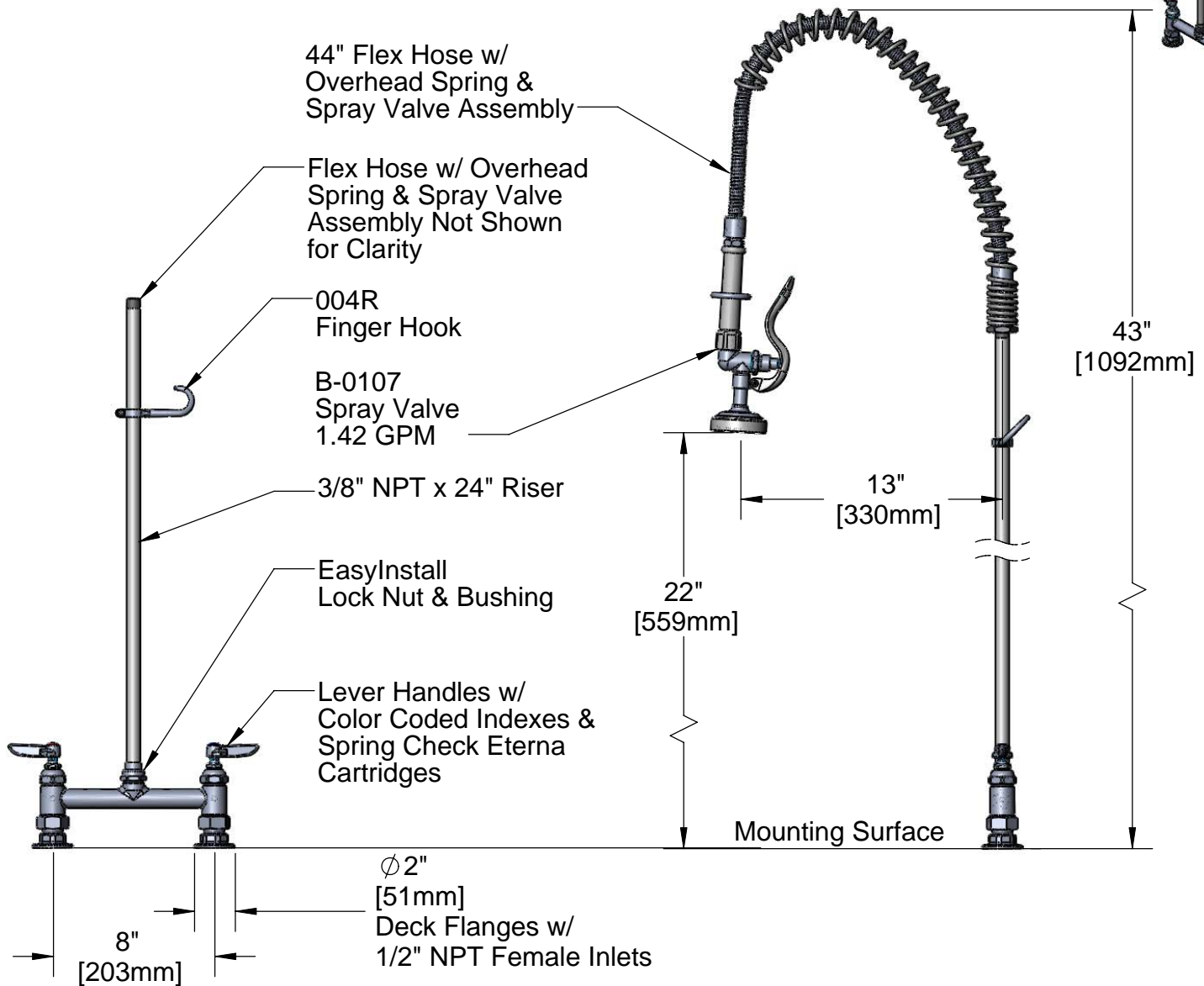
Model Specified \_\_\_\_\_ Quantity \_\_\_\_\_

Customer/Wholesaler \_\_\_\_\_

Contractor \_\_\_\_\_

Architect/Engineer \_\_\_\_\_

## EPAct 2005 Compliant



Product Specifications:

**EasyInstall Pre-Rinse Unit:**  
8" c/c Deck Mount Mixing Faucet, 1/2" NPT Female Inlets,  
24" Riser, Overhead Spring, 44" Flex Hose & B-0107 Spray Valve

Drawn KJG	Checked DHL	Approved JHB
Scale: 1:8		Date: 10/22/08



**T&S BRASS AND BRONZE WORKS, INC.**

2 Saddleback Cove / P.O. Box 1088  
Travelers Rest, SC 29690



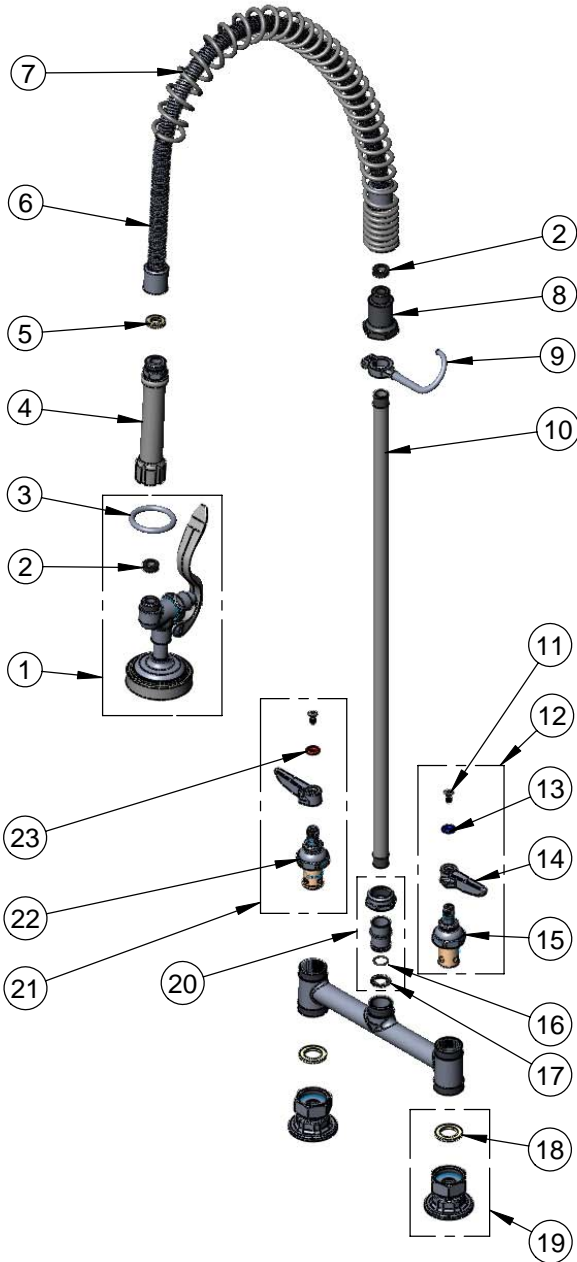
REG. #A2601  
ISO #9001

Model No.

**B-0123**

Item No.

Travelers Rest, SC: 800-476-4103 Simi Valley, CA: 800-423-0150 Fax: 864-834-3518 www.tsbrass.com



ITEM NO.	SALES NO.	DESCRIPTION
1	B-0107	Spray Valve Asm
2	010476-45	#27 Washer
3	000907-45	Spray Valve Hold Down Ring
4	002987-40	Grip Handle Assembly
5	001014-45	Washer, B-0100 Hose Barrel
6	B-0044-H2A	44" Flex Hose Assembly, Less Handle
7	000888-45	EasyInstall Overhead Spring
8	000821-40	Spring Body
9	004R	Finger Hook Assembly
10	000372-40	3/8" NPT x 24" Long Riser
11	000922-45	Lever Handle Screw
12	002711-40	Cold Eterna Spindle Assembly w/ Spring Check, Handle, Index & Screw
13	001660-45	Blue Index-CW
14	001638-45	Lever Handle
15	012442-40	Cold Eterna Spindle Assembly w/ Spring Check
16	001065-45	O-Ring
17	014200-45	Star Washer, Anti-Rotation
18	001019-45	Coupling Nut Washer
19	00AA	Flange Assembly, 00AA
20	EZ-K	EasyInstall Kit: Bushing, O-ring, Lock Washer & Loctite 222
21	002712-40	Hot Eterna Spindle Assembly w/ Spring Check, Handle, Index & Screw
22	012443-40	Hot Eterna Spindle Assembly w/ Spring Check
23	001661-45	Red Index-HW

Product Specifications:

EasyInstall Pre-Rinse Unit:  
8" c/c Deck Mount Mixing Faucet, 1/2" NPT Female Inlets,  
24" Riser, Overhead Spring, 44" Flex Hose & B-0107 Spray Valve

Drawn <b>KJG</b>	Checked <b>DHL</b>	Approved <b>JHB</b>
Scale: <b>NTS</b>		Date: <b>10/22/08</b>