



T&S BRASS AND BRONZE WORKS, INC.

2 Saddleback Cove / P.O. Box 1088
Travelers Rest, SC 29690



REG. #A2601
ISO #9001

Model No.

B-0133-A-08 SERIES

Item No.

Travelers Rest, SC: 800-476-4103 Simi Valley, CA: 800-423-0150 Fax: 864-834-3518 www.tsbrass.com

This Space for Architect/Engineer Approval

Job Name _____ Date _____

Model Specified _____ Quantity _____

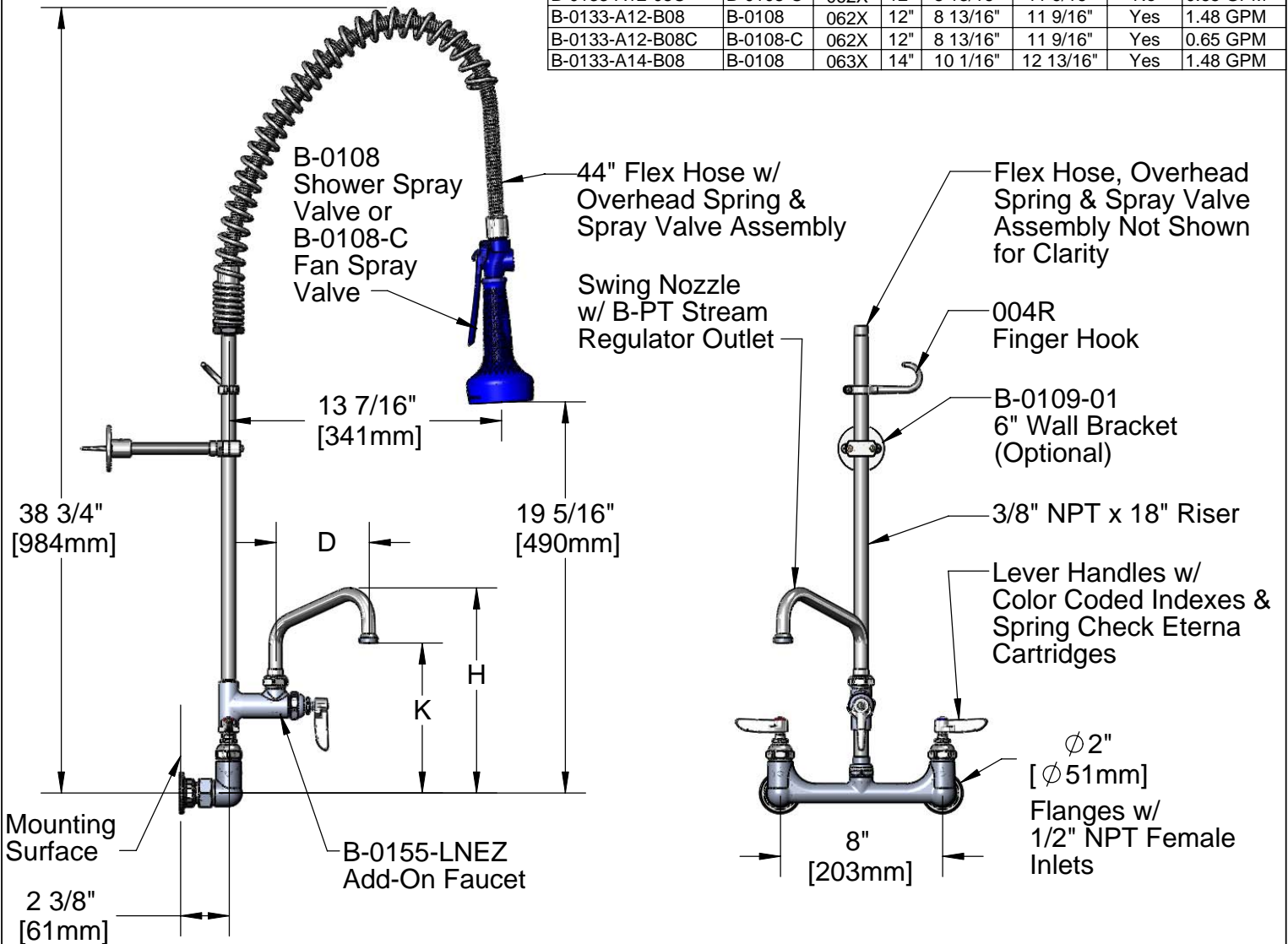
Customer/Wholesaler _____

Contractor _____

Architect/Engineer _____

Model	Spray Valve	Swing Nozzle	D	K	H	6" Wall Bracket	Flow Rate
B-0133-A06-08	B-0108	059X	6"	7 7/16"	10 1/8"	No	1.48 GPM
B-0133-A06-08C	B-0108-C	059X	6"	7 7/16"	10 1/8"	No	0.65 GPM
B-0133-A06-B08	B-0108	059X	6"	7 7/16"	10 1/8"	Yes	1.48 GPM
B-0133-A06-B08C	B-0108-C	059X	6"	7 7/16"	10 1/8"	Yes	0.65 GPM
B-0133-A08-08	B-0108	060X	8"	8"	10 3/4"	No	1.48 GPM
B-0133-A08-08C	B-0108-C	060X	8"	8"	10 3/4"	No	0.65 GPM
B-0133-A08-B08	B-0108	060X	8"	8"	10 3/4"	Yes	1.48 GPM
B-0133-A08-B08C	B-0108-C	060X	8"	8"	10 3/4"	Yes	0.65 GPM
B-0133-A10-08	B-0108	061X	10"	8 11/16"	11 7/16"	No	1.48 GPM
B-0133-A10-08C	B-0108-C	061X	10"	8 11/16"	11 7/16"	No	0.65 GPM
B-0133-A10-B08	B-0108	061X	10"	8 11/16"	11 7/16"	Yes	1.48 GPM
B-0133-A10-B08C	B-0108-C	061X	10"	8 11/16"	11 7/16"	Yes	0.65 GPM
B-0133-A12-08	B-0108	062X	12"	8 13/16"	11 9/16"	No	1.48 GPM
B-0133-A12-08C	B-0108-C	062X	12"	8 13/16"	11 9/16"	No	0.65 GPM
B-0133-A12-B08	B-0108	062X	12"	8 13/16"	11 9/16"	Yes	1.48 GPM
B-0133-A12-B08C	B-0108-C	062X	12"	8 13/16"	11 9/16"	Yes	0.65 GPM
B-0133-A14-B08	B-0108	063X	14"	10 1/16"	12 13/16"	Yes	1.48 GPM

EPAct 2005 Compliant



Product Specifications:

EasyInstall Pre-Rinse Unit:
8" c/c Wall Mount Base Faucet, 1/2" NPT Female Inlets, 18" Riser,
Overhead Spring, 44" Flex Hose, B-0108 / B-0108-C Spray Valve &
Wall Bracket (Optional)

Drawn JRM	Checked DMH	Approved JHB
Scale: 1:8		Date: 12/04/09



T&S BRASS AND BRONZE WORKS, INC.

2 Saddleback Cove / P.O. Box 1088
Travelers Rest, SC 29690



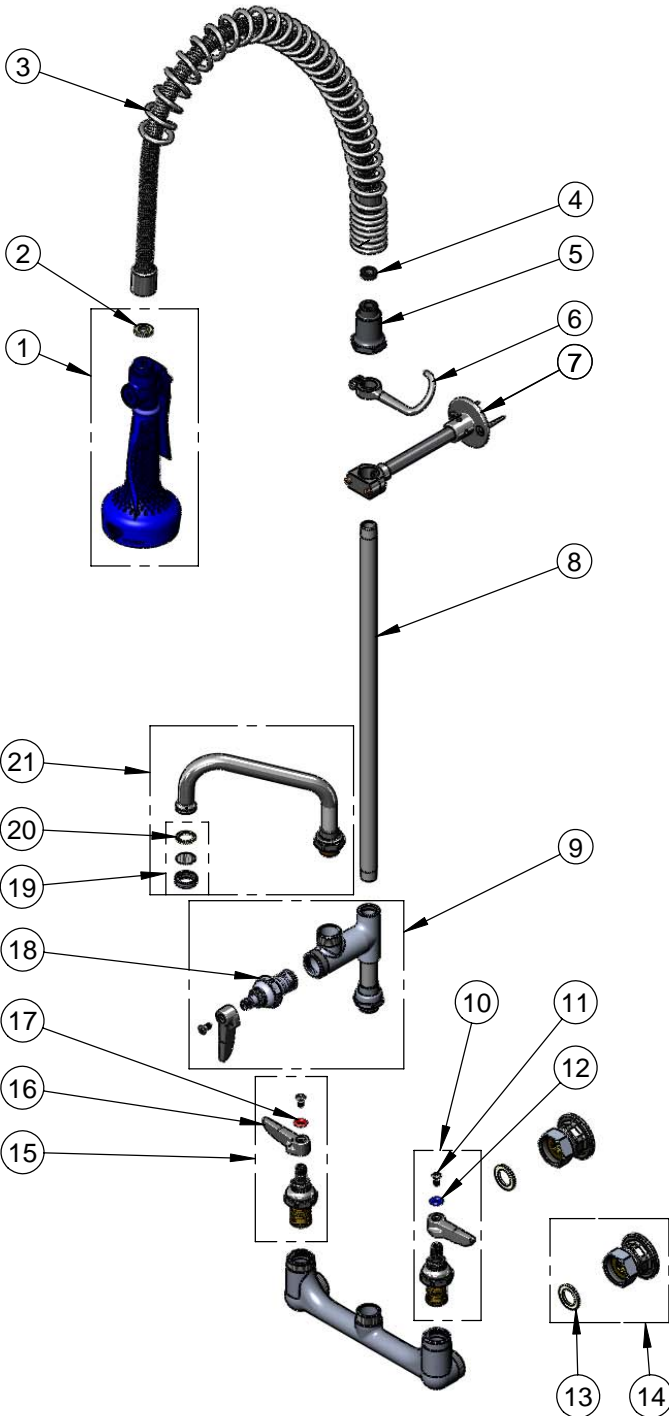
REG. #A2601
ISO #9001

Model No.

B-0133-A-08 SERIES

Item No.

Travelers Rest, SC: 800-476-4103 Simi Valley, CA: 800-423-0150 Fax: 864-834-3518 www.tsbrass.com



ITEM NO.	SALES NO.	DESCRIPTION
1	See Chart	Spray Valve
2	001014-45	Washer, B-0100 Hose Barrel
3	000888-45	EasyInstall Overhead Spring
4	010476-45	#27 Washer
5	000821-40	Spring Body
6	004R	Finger Hook Assembly
7	B-0109-01	6" Wall Bracket Assembly
8	000369-40	3/8" NPT x 18" Long Riser
9	B-0155-LNEZ	Easy-Install Add-On Faucet
10	002711-40	Cold Eterna Spindle Asm w/ Spring Check, Handle, Index & Screw
11	000922-45	Lever Handle Screw
12	001660-45	Blue Index-CW
13	001019-45	Coupling Nut Washer
14	00AA	Flange Assembly
15	002712-40	Hot Eterna Spindle Asm w/ Spring Check, Handle, Index & Screw
16	001638-45	Lever Handle
17	001661-45	Red Index-HW
18	007947-40	Quarter Turn Spindle Assembly
19	B-PT	Stream Regulator Outlet
20	001048-45	Nozzle Tip Washer
21	See Chart	Swing Nozzle

Product Specifications:

EasyInstall Pre-Rinse Unit:
8" c/c Wall Mount Base Faucet, 1/2" NPT Female Inlets, 18" Riser, Overhead Spring, 44" Flex Hose, B-0108 / B-0108-C Spray Valve & Wall Bracket (Optional)

Drawn JRM	Checked DMH	Approved JHB
Scale: NTS		Date: 12/04/09