



# T&S BRASS AND BRONZE WORKS, INC.

2 SADDLEBACK COVE / P.O. BOX 1088 / TRAVELERS REST, SC 29690

PHONE 800-476-4103

FAX 803- 834-3518



REG.#A2601  
ISO #9002

Model No.

B-0192

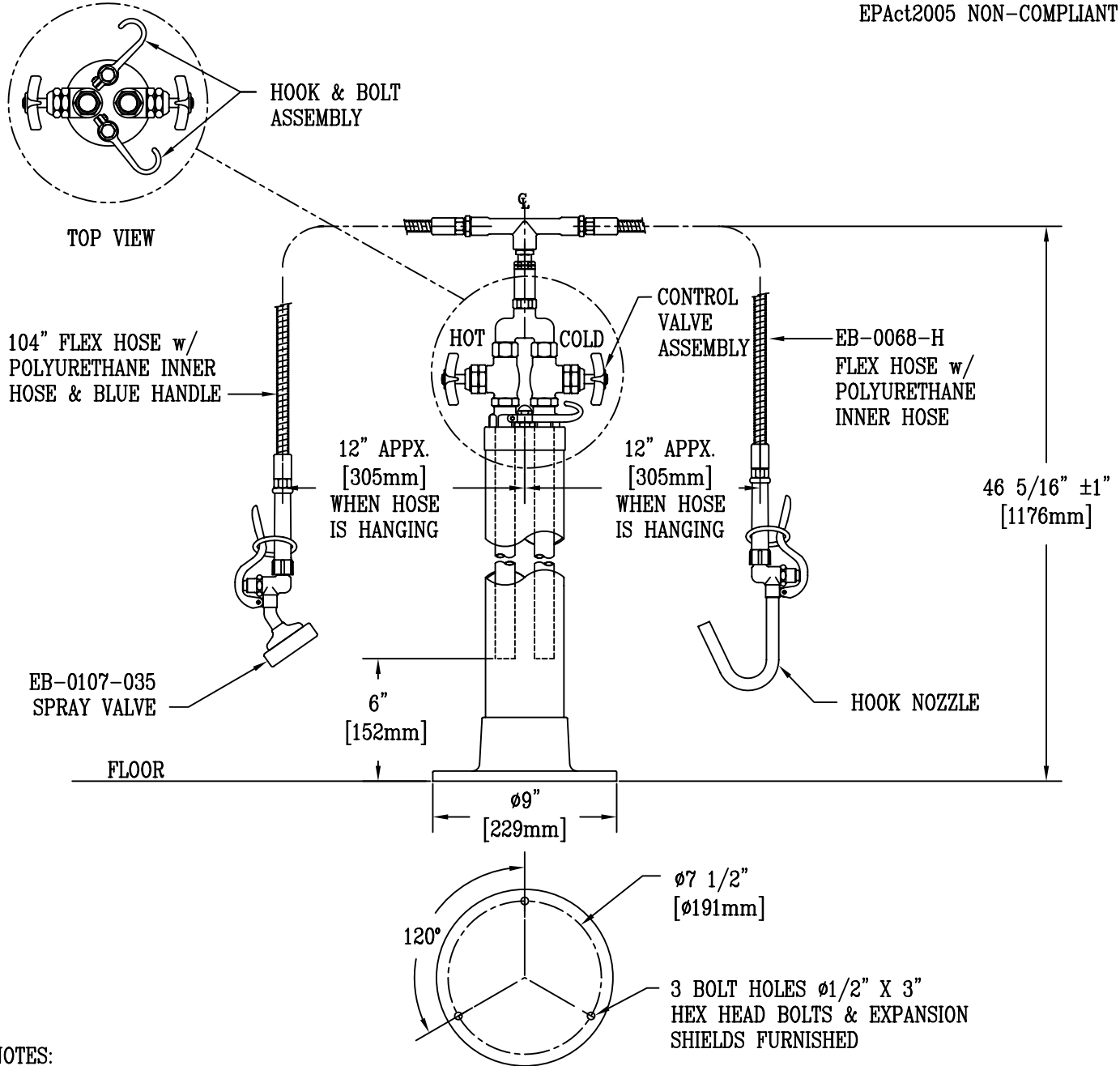
Item No.:

Job Name:

Architect/Engineer Approval:

Notes:

EPAct2005 NON-COMPLIANT



### NOTES:

1. ASSEMBLY CONNECTS TO 1/2" PIPE NIPPLES ROUGHED IN FROM FLOOR ON 2" CENTERS TO A HEIGHT OF 6".
2. STANCHION IS BRASS WITH POLISHED CHROMIUM PLATED FINISH.
3. STANDARD FLEX HOSE = 68" LONG  
STANDARD FLEX HOSE = 104" LONG  
(MODIFIED LENGTHS AVAILABLE UPON REQUEST)

Product Description:

KETTLE KADDY ASSEMBLY  
COMBINATION KETTLE FILLER AND SPRAY  
STANCHION, HOT & COLD WATER ASSEMBLY

Drawn:

KJG

Checked

JRM

Scale:

1:8

Approved

JHB

Date:

05/21/08