



T&S BRASS AND BRONZE WORKS, INC.
 2 SADDLEBACK COVE / P.O. BOX 1088 / TRAVELERS REST, SC 29690
 PHONE 800-476-4103 FAX 864- 834-3518



Model No.

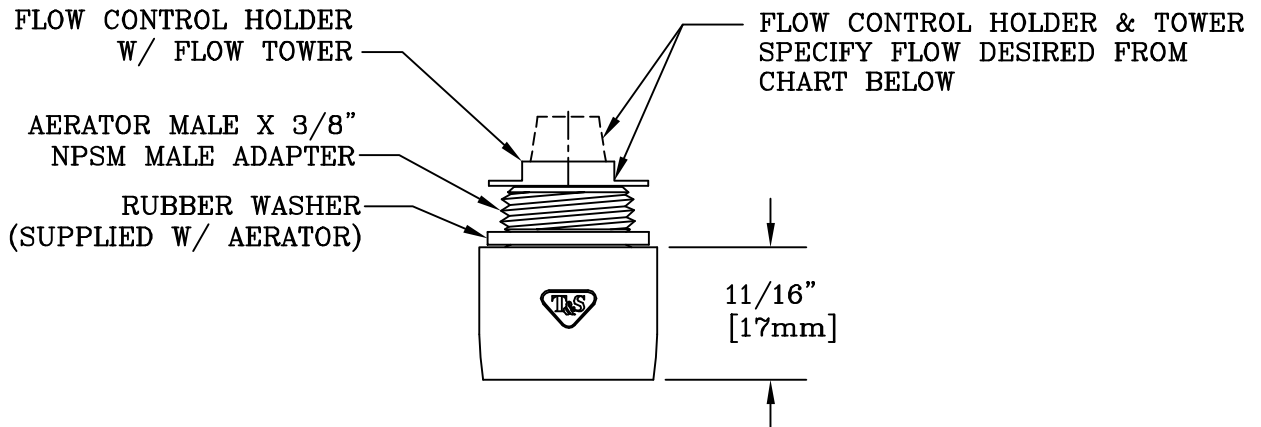
B-0199-02F

Item No.:

Job Name:

Architect/Engineer Approval:

Notes:



NOTE: SELECT FLOW CONTROL DESIRED THEN ADD SUFFIX TO MODEL NO.

FLOW (GPM±15%)	SUFFIX	SPECIFY
0.25	-03	B-0199-02F-03
0.40	-05	B-0199-02F-05
0.70	-07	B-0199-02F-07
0.90	-10	B-0199-02F-10
1.20	-12	B-0199-02F-12
1.40	-15	B-0199-02F-15
2.00	-20	B-0199-02F-20
2.50	-25	B-0199-02F-25
3.00	-30	B-0199-02F-30

Product Description:

FLOW CONTROL AERATOR W/
 3/8" NPSM MALE ADAPTER

Drawn:

TME

Approved

MVW

Checked

MVW

Scale:

1' = 1'

Date:

2/3/00