



T&S BRASS AND BRONZE WORKS, INC.  
 2 SADDLEBACK COVE / P.O. BOX 1088 / TRAVELERS REST, SC 29690  
 PHONE 800-476-4103 FAX 864-834-3518



Model No.

B-0199-22

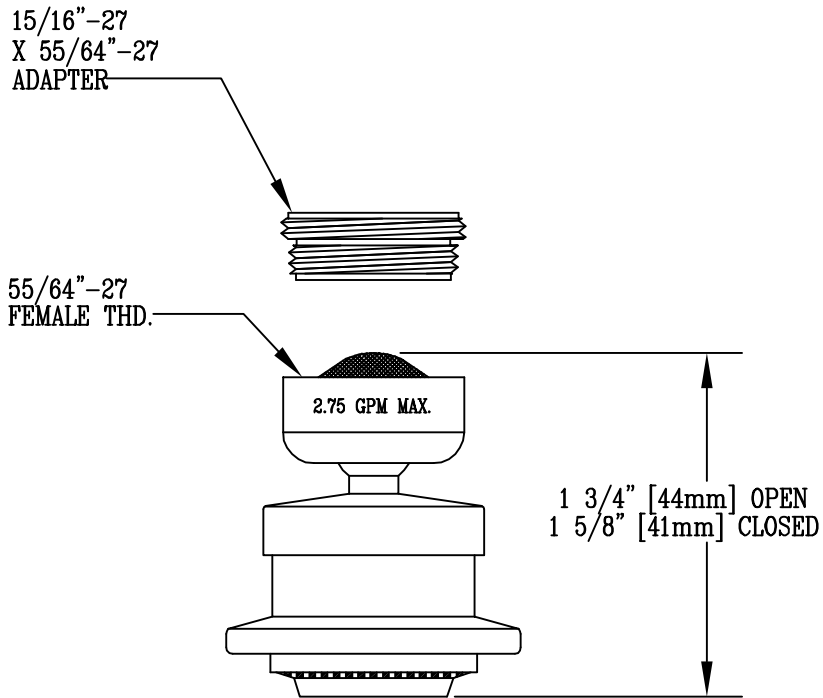
Item No.:

REG.#A2601  
ISO #9002

Job Name:

Architect/Engineer Approval:

Notes:



Product Description:  
 SWIVEL AERATOR WITH 2.75 GPM  
 REGULATOR, LAMINAR OR SPRAY PATTERN

Drawn:

WJS

Checked

ARY

Scale:

1:1

Approved

MVW

Date:

6/12/97