



T&S BRASS AND BRONZE WORKS, INC.
 2 SADDLEBACK COVE / P.O. BOX 1088 / TRAVELERS REST, SC 29690
 PHONE 800-476-4103 - FAX 864- 834-3518



Model No.

B-0205-LN

RELIABILITY
BUILT IN

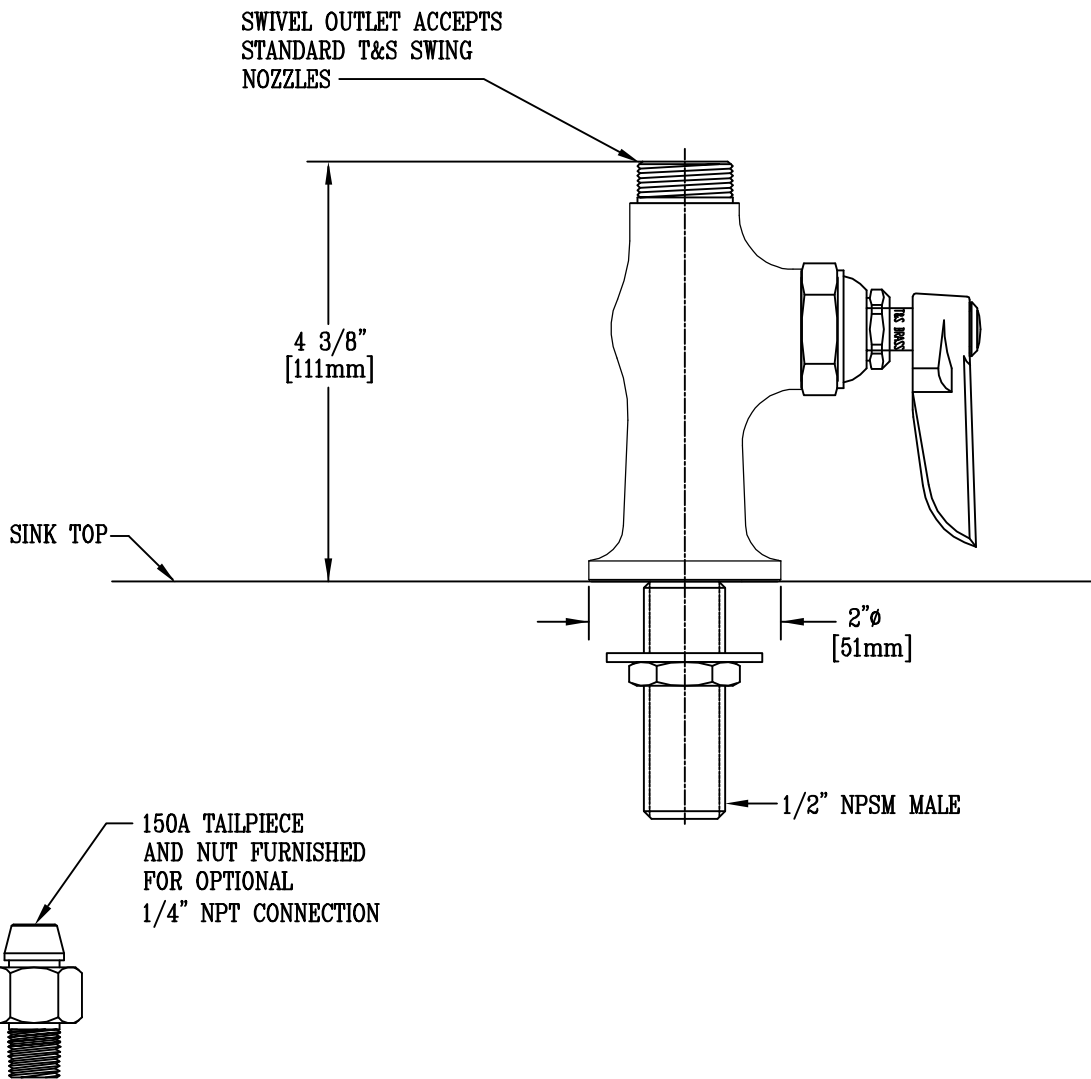
Job Name:

Architect/Engineer Approval:

Notes:



ADA COMPLIANT



Product Description:

SINGLE PANTRY SWIVEL BASE FCT., LESS NOZZLE

Drawn:

LEL

Checked

JKD

Scale:

1 : 2

Approved

MVW

Date:

9/11/02