



**T&S BRASS AND BRONZE WORKS, INC.**

2 SADDLEBACK COVE / P.O. BOX 1088 / TRAVELERS REST, SC 29690

PHONE 800-476-4103 - FAX 864- 834-3518



REG. #A2601  
ISO #9001

Model No.

B-0206

RELIABILITY  
BUILT IN

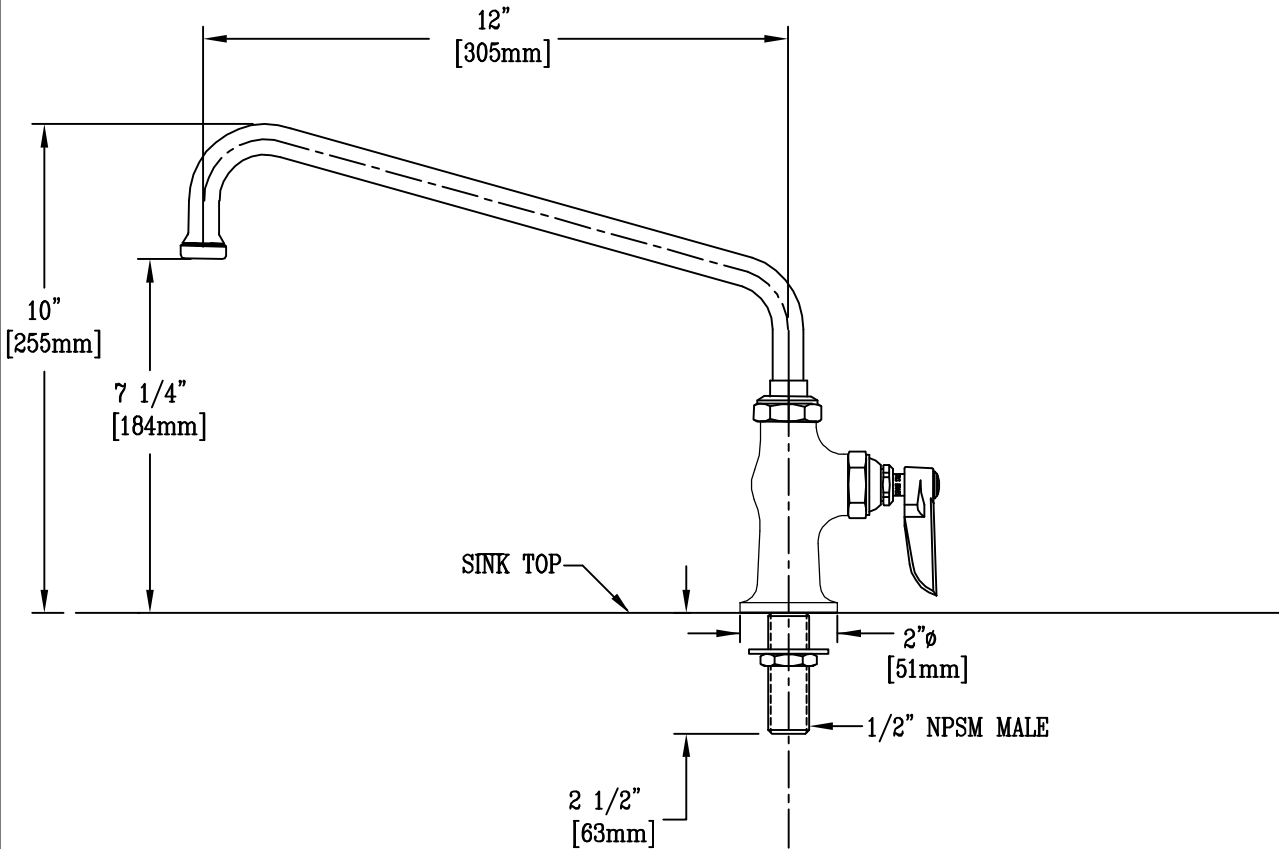
Job Name:

Architect/Engineer Approval:

Notes:



ADA COMPLIANT



150A TAILPIECE  
AND NUT FURNISHED  
FOR OPTIONAL  
1/4" NPT CONNECTION

Product Description:

SINGLE PANTRY FCT. w/ 12" SWING NOZZLE

Drawn:

LEL

Checked

JKD

Scale:

1 : 4

Approved

MVV

Date:

9/11/02