



# T&S BRASS AND BRONZE WORKS, INC.

2 Saddleback Cove / P.O. Box 1088  
Travelers Rest, SC 29690



REG. #A2601  
ISO #9001

Model No.

**B-0207**

Item No.

Travelers Rest, SC: 800-476-4103 Simi Valley, CA: 800-423-0150 Fax: 864-834-3518 www.tsbrass.com

This Space for Architect/Engineer Approval

Job Name \_\_\_\_\_ Date \_\_\_\_\_

Model Specified \_\_\_\_\_ Quantity \_\_\_\_\_

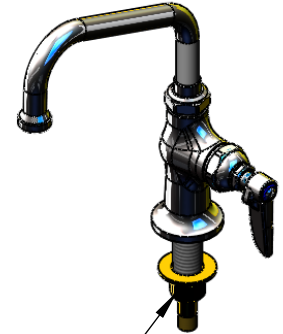
Customer/Wholesaler \_\_\_\_\_

Contractor \_\_\_\_\_

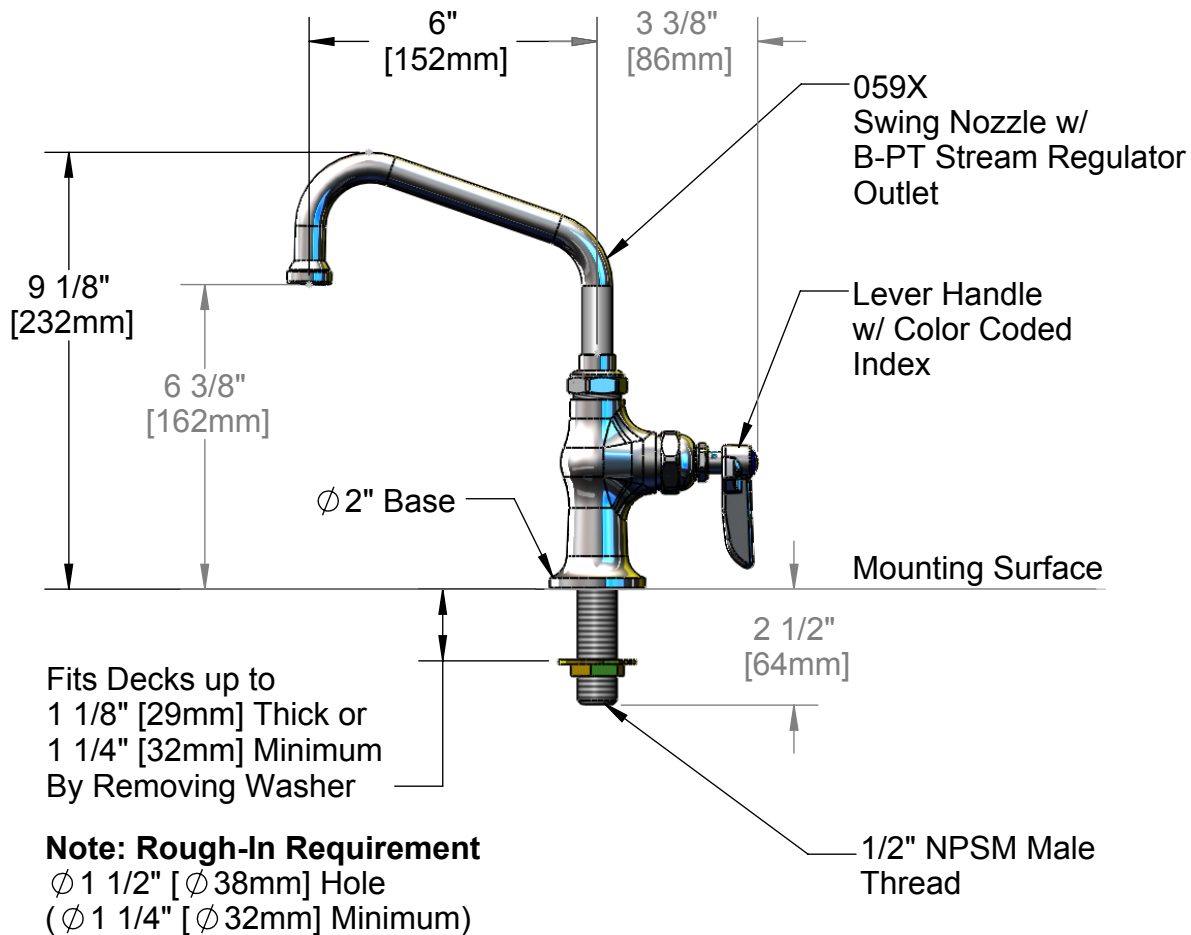
Architect/Engineer \_\_\_\_\_



**ADA Compliant**



150A Tailpiece and Nut  
for 1/4" NPT Connection



Product Specifications:

**Single Pantry Faucet w/ 6" Swing Nozzle, Lever Handle, B-PT Stream Regulator Outlet & Tailpiece**

Drawn  
KJG

Checked  
DHL

Approved  
JHB

Scale:

1:4

Date:

3/20/08



**T&S BRASS AND BRONZE WORKS, INC.**

2 Saddleback Cove / P.O. Box 1088  
Travelers Rest, SC 29690



REG. #A2601  
ISO #9001

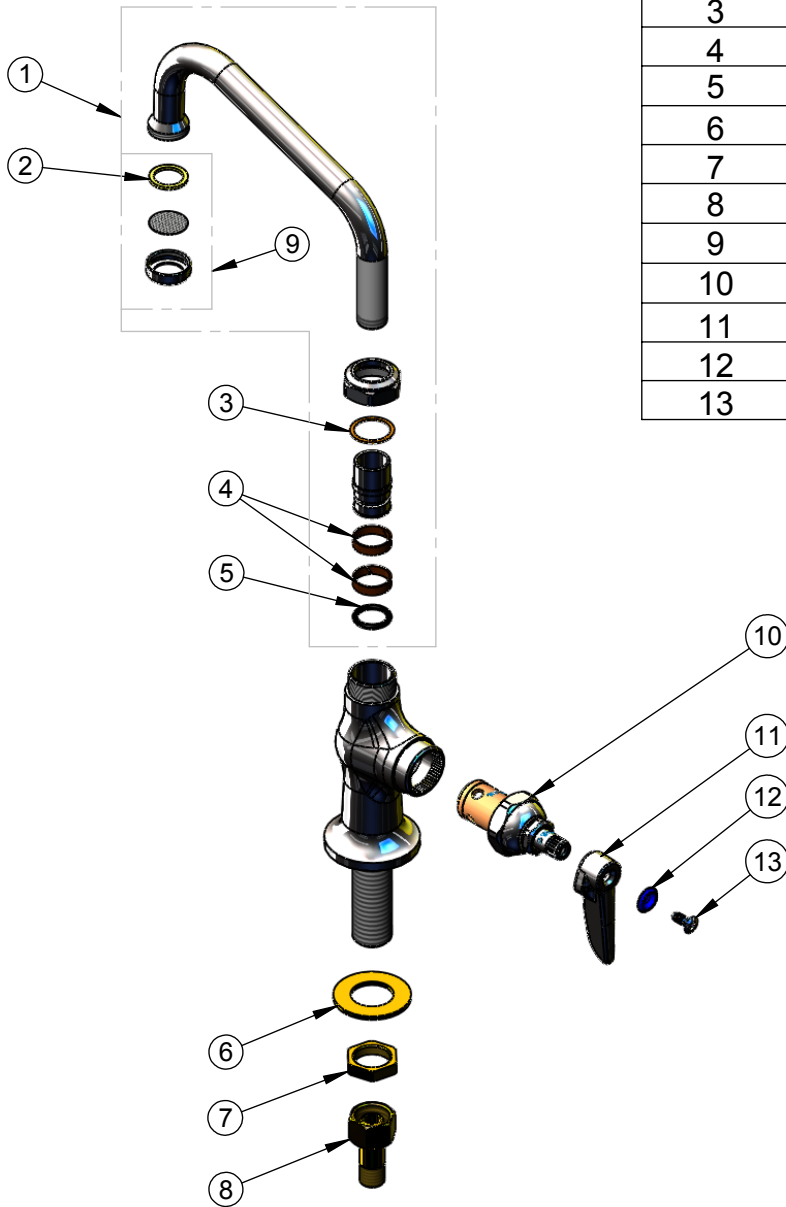
Model No.

**B-0207**

Item No.

Travelers Rest, SC: 800-476-4103 Simi Valley, CA: 800-423-0150 Fax: 864-834-3518 www.tsbrass.com

| ITEM NO. | SALES NO. | DESCRIPTION                    |
|----------|-----------|--------------------------------|
| 1        | 059X      | 6" Swing Nozzle Assembly       |
| 2        | 009638-45 | Washer                         |
| 3        | 009538-45 | Swivel Washer                  |
| 4        | 011429-45 | Swivel Sleeves (2)             |
| 5        | 001074-45 | O-Ring                         |
| 6        | 000999-45 | Brass Lock Washer              |
| 7        | 002954-45 | Shank Lock Nut                 |
| 8        | 150A      | Bag of (1) Nut & (1) Tailpiece |
| 9        | B-PT      | Stream Regulator Assembly      |
| 10       | 005960-40 | Spindle Asm, Eterna "Hot"      |
| 11       | 001638-45 | Lever Handle                   |
| 12       | 001660-45 | Blue Index-CW                  |
| 13       | 000922-45 | Lever Handle Screw             |



Product Specifications:

Single Pantry Faucet w/ 6" Swing Nozzle, Lever Handle, B-PT Stream Regulator Outlet & Tailpiece

|                      |                       |                         |
|----------------------|-----------------------|-------------------------|
| Drawn<br><b>KJG</b>  | Checked<br><b>DHL</b> | Approved<br><b>JHB</b>  |
| Scale:<br><b>NTS</b> |                       | Date:<br><b>3/20/08</b> |