



# T&S BRASS AND BRONZE WORKS, INC.

2 Saddleback Cove / P.O. Box 1088  
Travelers Rest, SC 29690



REG. #A2601  
ISO #9001

Model No.  
**B-0208**

Item No.

Travelers Rest, SC: 800-476-4103 Simi Valley, CA: 800-423-0150 Fax: 864-834-3518 www.tsbrass.com

This Space for Architect/Engineer Approval

Job Name \_\_\_\_\_ Date \_\_\_\_\_

Model Specified \_\_\_\_\_ Quantity \_\_\_\_\_

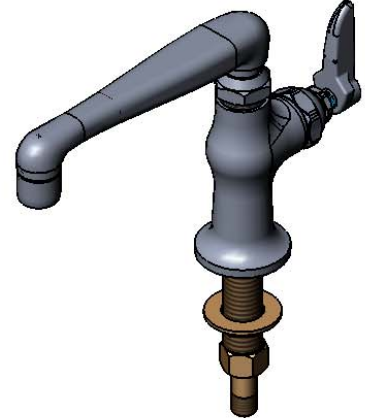
Customer/Wholesaler \_\_\_\_\_

Contractor \_\_\_\_\_

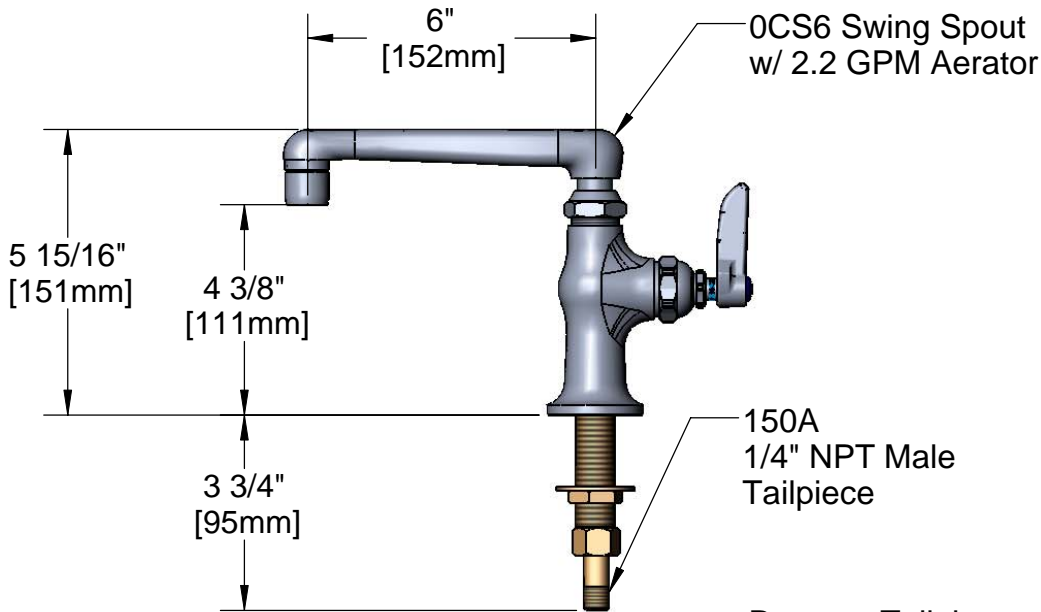
Architect/Engineer \_\_\_\_\_



**ADA Compliant**



Ø 7/8"  
[22mm]



Remove Tailpiece  
for 1/2" NPSM Male Shank

**Product Specifications:**

Single Temperature Deck Mount Faucet w/ 1/2" NPSM Male Shank, Eterna Cartridge, Lever Handle, & 6" Cast Spout w/ 2.2 GPM Aerator

Drawn  
DHL

Checked  
JRM

Approved  
JHB

Scale:

1:4

Date:

11/07/08



**T&S BRASS AND BRONZE WORKS, INC.**

2 Saddleback Cove / P.O. Box 1088  
Travelers Rest, SC 29690



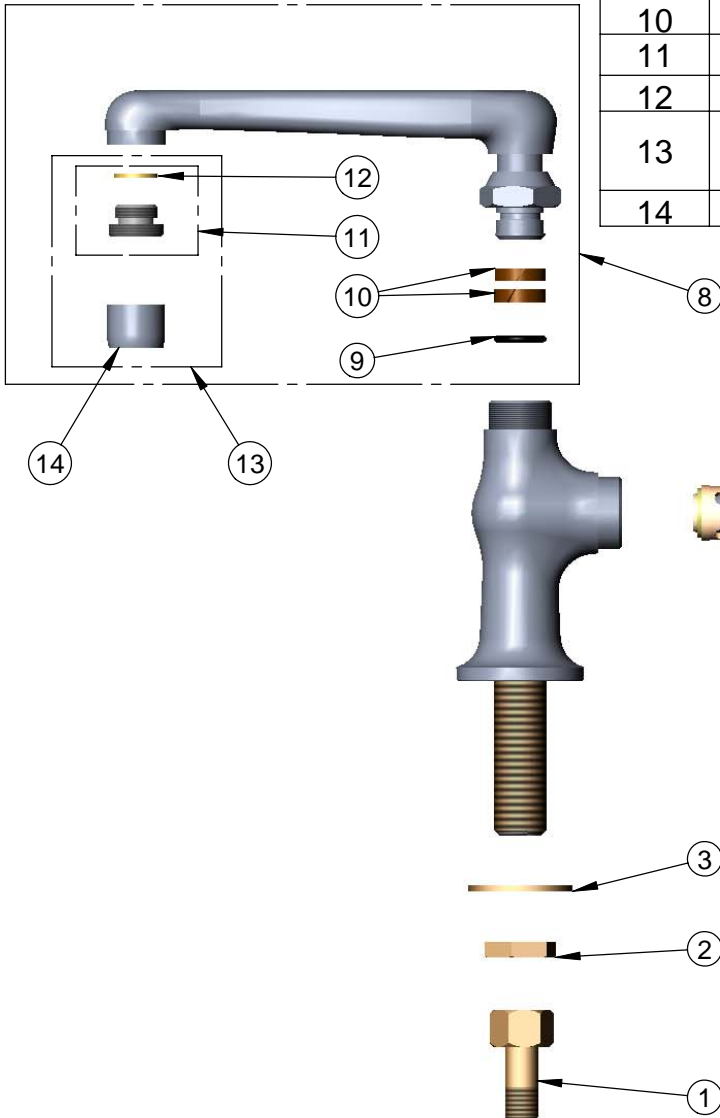
REG. #A2601  
ISO #9001

Model No.  
**B-0208**

Item No.

Travelers Rest, SC: 800-476-4103 Simi Valley, CA: 800-423-0150 Fax: 864-834-3518 www.tsbrass.com

| ITEM | PART NO.  | DESCRIPTION                                     |
|------|-----------|---|
| 1    | 150A      | Bag of (1) Nut & (1) Tailpiece                  |
| 2    | 002954-45 | Shank Lock Nut                                  |
| 3    | 000999-45 | Brass Lock Washer                               |
| 4    | 005960-40 | Spindle Asm, Eterna "Hot"                       |
| 5    | 001638-45 | Lever Handle                                    |
| 6    | 000922-45 | Lever Handle Screw                              |
| 7    | 001660-45 | Blue Index-CW                                   |
| 8    | 0CS6      | 6" Cast Spout                                   |
| 9    | 001074-45 | O-Ring  |
| 10   | 011429-45 | Swivel Sleeve (2)                               |
| 11   | 044A      | 3/8" to Aerator Adapter                         |
| 12   | 001043-45 | Washer  |
| 13   | B-0199-02 | 2.2 GPM Aerator w/ 3/8" NPT Male Thread Adapter |
| 14   | B-0199-01 | 2.2 GPM Aerator, Female                         |



Product Specifications:  
Single Temperature Deck Mount Faucet w/ 1/2" NPSM Male Shank, Eterna Cartridge, Lever Handle, & 6" Cast Spout w/ 2.2 GPM Aerator

|                      |                       |                          |
|----------------------|-----------------------|--------------------------|
| Drawn<br><b>DHL</b>  | Checked<br><b>JRM</b> | Approved<br><b>JHB</b>   |
| Scale:<br><b>1:4</b> |                       | Date:<br><b>11/07/08</b> |