



# T&S BRASS AND BRONZE WORKS, INC.

2 SADDLEBACK COVE / P.O. BOX 1088 / TRAVELERS REST, SC 29690

PHONE 800-476-4103

FAX 803-834-3518

Model No.

B-0212

Item No.:

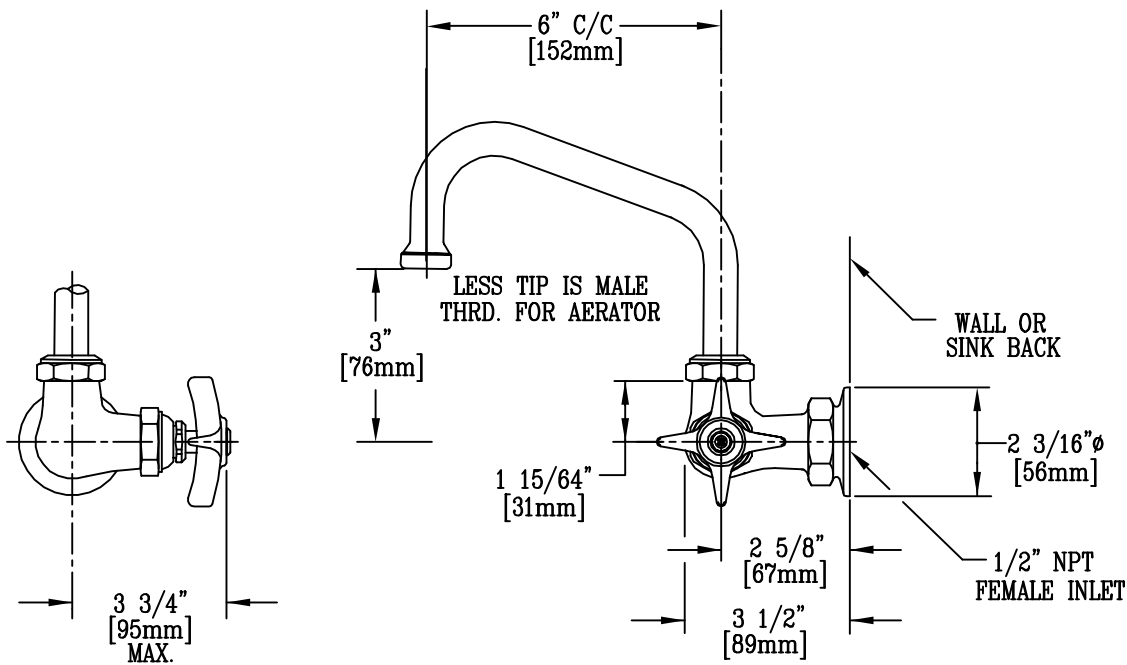
Job Name:

Architect/Engineer Approval:

Notes:



ADA COMPLIANT



**NOTES :** \_\_\_\_\_

1. SPECIFY COLD OR HOT INDEX FOR HANDLE  
IF NOT SPECIFIED, COLD IS FURNISHED.
2. ALSO AVAILABLE WITH B-199-1 NON-SPLASH AERATOR.
3. NOZZLE SWINGS 360°

Product Description:

SINGLE SINK FAUCET  
WITH 6" SWING NOZZLE

Drawn:

MCW

Checked

SCM

Scale:

3" = 1'

Approved

CA

Date:

8-8-95