



T&S BRASS AND BRONZE WORKS, INC.

2 SADDLEBACK COVE / P.O. BOX 1088 / TRAVELERS REST, SC 29690

PHONE 800-476-4103

FAX 803- 834-3518

Model No.

B-0216

Item No.:

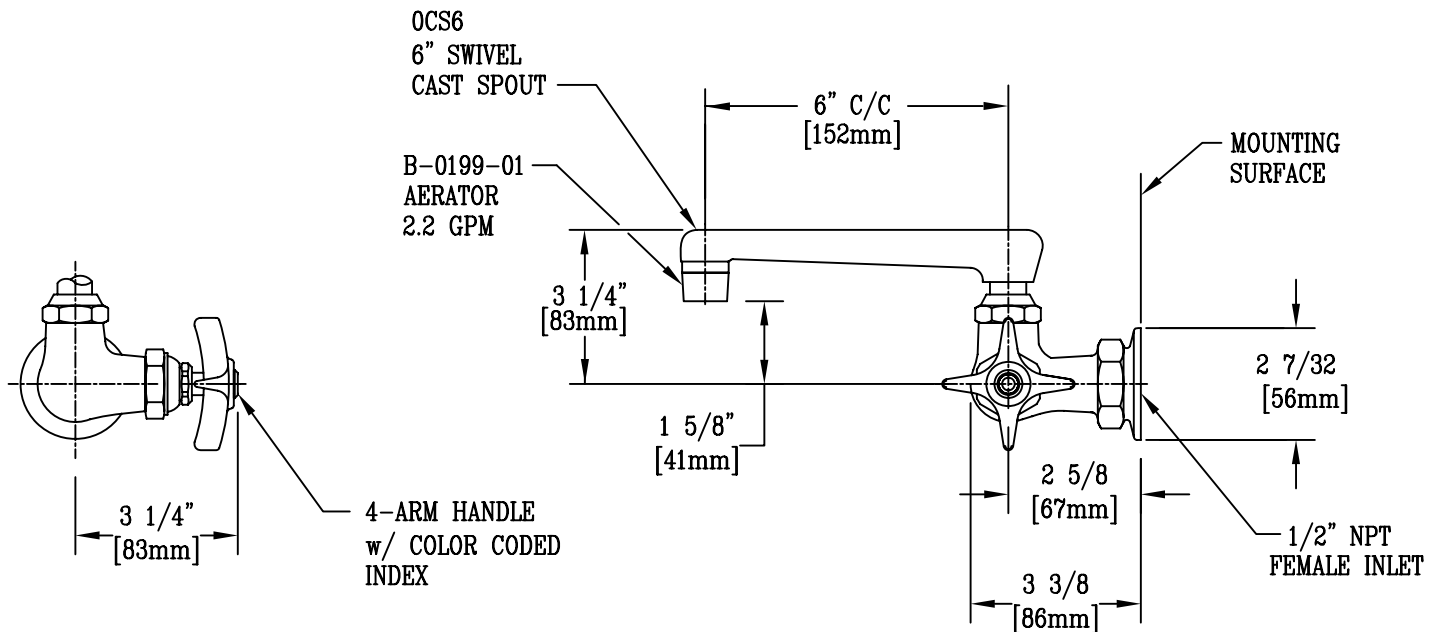
Job Name:

Architect/Engineer Approval:

Notes:



ADA COMPLIANT



Product Description:

WALL MOUNT MIXING FAUCET
w/ CAST SPOUT, 4-ARM HANDLE
& 1/2" NPT FEMALE INLET

Drawn:

KJG

Checked:

GEF

Scale:

1 : 4

Approved

JHB

Date:

071708