



T&S BRASS AND BRONZE WORKS, INC.

2 Saddleback Cove / P.O. Box 1088
Travelers Rest, SC 29690



REG. #A2601
ISO #9001

Model No.

B-0231

Item No.

Travelers Rest, SC: 800-476-4103 Simi Valley, CA: 800-423-0150 Fax: 864-834-3518 www.tsbrass.com

This Space for Architect/Engineer Approval

Job Name _____ Date _____

Model Specified _____ Quantity _____

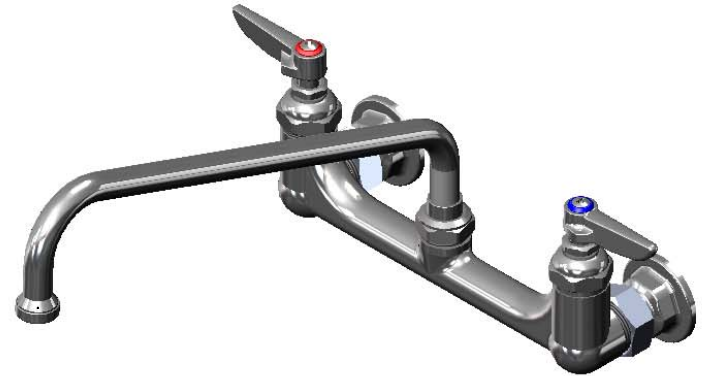
Customer/Wholesaler _____

Contractor _____

Architect/Engineer _____

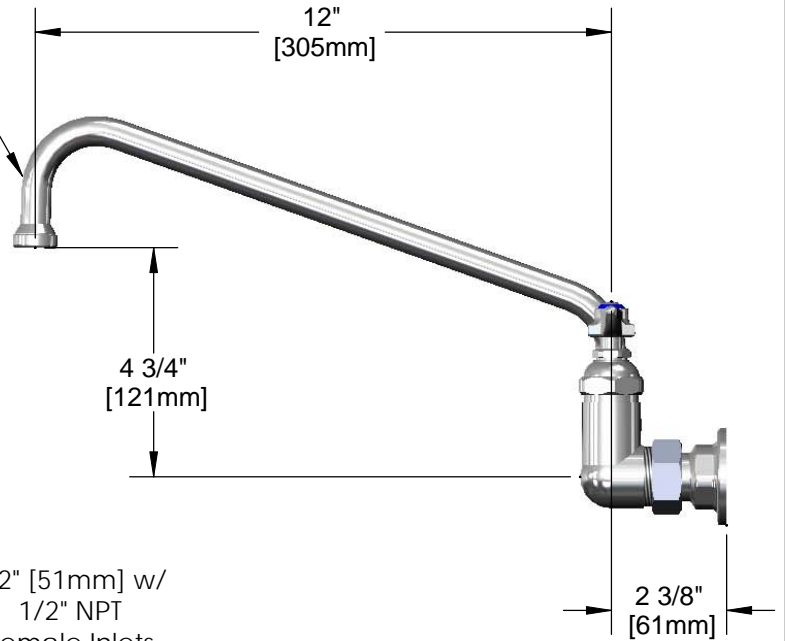
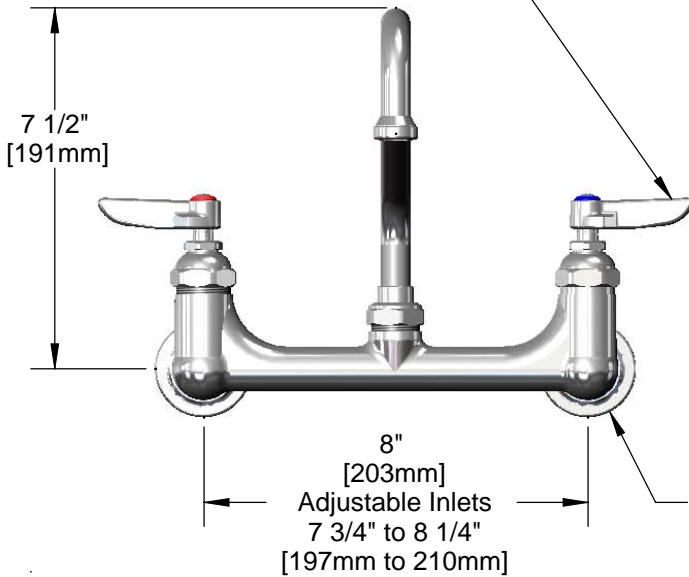


ADA Compliant



062X
12" Swing Nozzle w/
B-PT
Stream Regulator

Eterna cartridges &
Lever Handles
w/ Colored Coded
Indexes



Ø2" [51mm] w/
1/2" NPT
Female Inlets

Product Specifications:

8" c/c Wall Mount Mixing Faucet w/ 1/2" NPT
Female Eccentric Inlet Flanges, Lever Handles,
12" Swing Nozzle w/ Stream Regulator

Drawn
DHL

Checked
KJG

Approved
JHB

Scale:

1:4

Date:

01/13/10



T&S BRASS AND BRONZE WORKS, INC.

2 Saddleback Cove / P.O. Box 1088
Travelers Rest, SC 29690



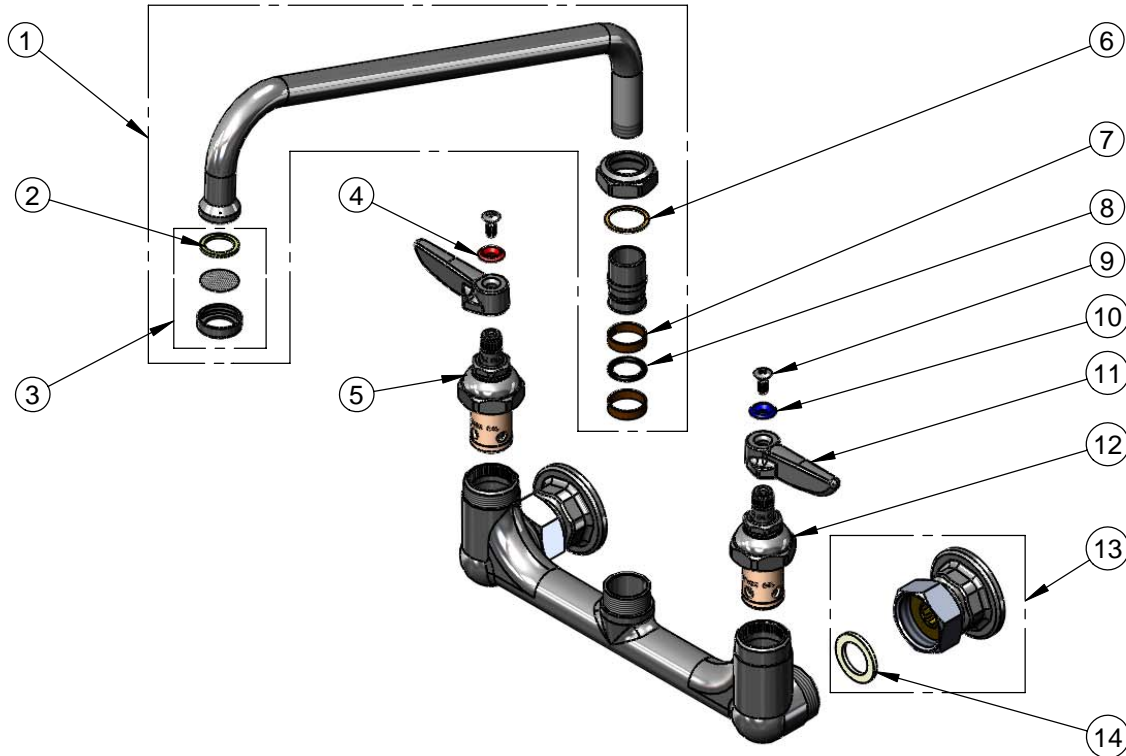
REG. #A2601
ISO #9001

Model No.
B-0231

Item No.

Travelers Rest, SC: 800-476-4103 Simi Valley, CA: 800-423-0150 Fax: 864-834-3518 www.tsbrass.com

ITEM NO.	SALES NO.	DESCRIPTION
1	062X	12" Swing Nozzle
2	001048-45	Nozzle Tip Washer
3	B-PT	Stream Regulator
4	001661-45	Red Index-HW
5	005960-40	Spindle Asm, Eterna "Hot"
6	009538-45	Swivel Washer
7	011429-45	Swivel Sleeves (2)
8	001074-45	O-Ring
9	000922-45	Lever Handle Screw
10	001660-45	Blue Index-CW
11	001638-45	Lever Handle
12	005959-40	Spindle Asm. Eterna "Cold"
13	00AA	Coupling Wall Flange Assembly w/ Washer
14	001019-45	Coupling Nut Washer



Product Specifications:

8" c/c Wall Mount Mixing Faucet w/ 1/2" NPT
Female Eccentric Inlet Flanges, Lever Handles,
12" Swing Nozzle w/ Stream Regulator

Drawn DHL	Checked KJG	Approved JHB
Scale: 1:4		Date: 01/13/10