



# T&S BRASS AND BRONZE WORKS, INC.

2 Saddleback Cove / P.O. Box 1088  
Travelers Rest, SC 29690



REG. #A2601  
ISO #9001

Model No.

**B-0301**

Item No.

Travelers Rest, SC: 800-476-4103 Simi Valley, CA: 800-423-0150 Fax: 864-834-3518 www.tsbrass.com

This Space for Architect/Engineer Approval

Job Name \_\_\_\_\_ Date \_\_\_\_\_

Model Specified \_\_\_\_\_ Quantity \_\_\_\_\_

Customer/Wholesaler \_\_\_\_\_

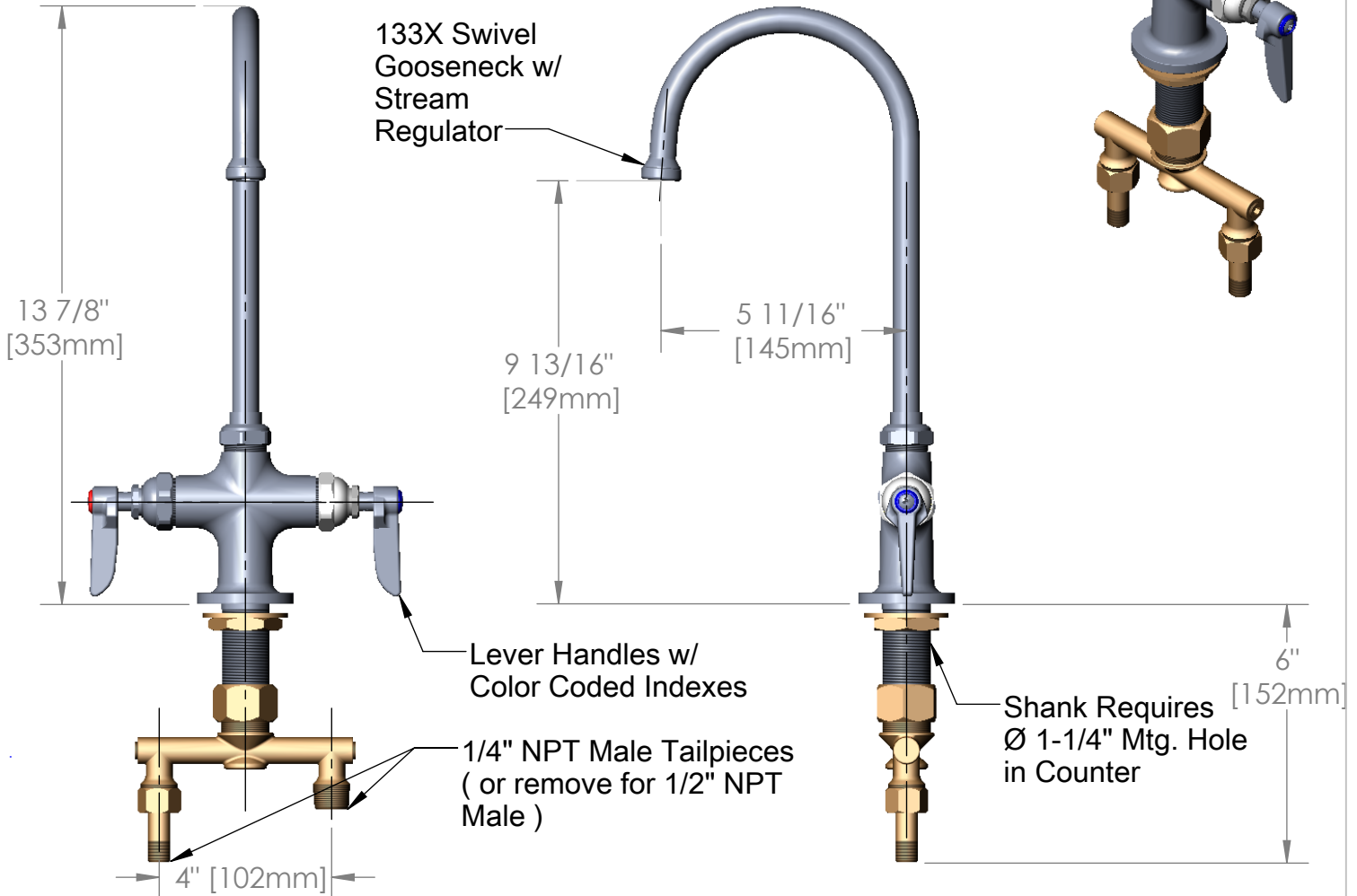
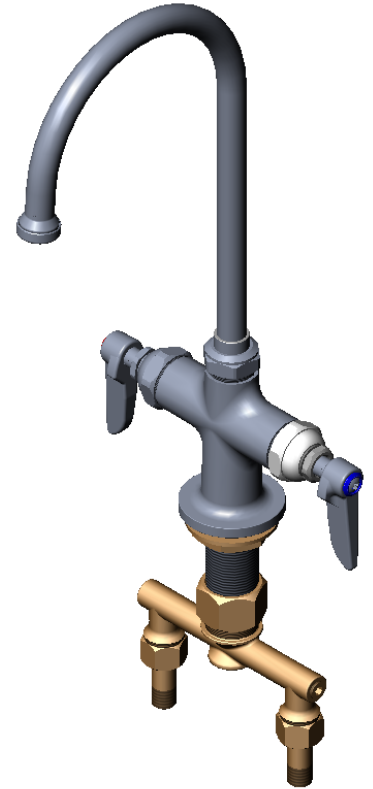
Contractor \_\_\_\_\_

Architect/Engineer \_\_\_\_\_



### Variations or Applicable Options:

- WH6 6" Wrist Action Handles
- WH4 4" wrist Action Handles
- 175F 4-Arm Kitchen Handles



Product Specifications:  
Single Hole Deck Mount Mixing Faucet w/  
Undercounter Spreader Assembly, Lever Handles,  
& 133X Swivel Gooseneck

Drawn  
WJS

Checked  
DHL

Approved  
JHB

Scale:

1:4

Date:

01/19/07



**T&S BRASS AND BRONZE WORKS, INC.**

2 Saddleback Cove / P.O. Box 1088  
Travelers Rest, SC 29690

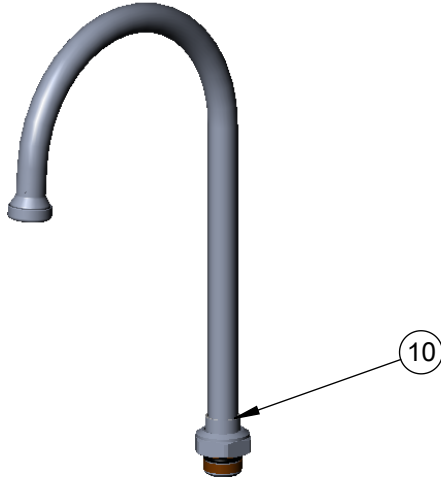


REG. #A2601  
ISO #9001

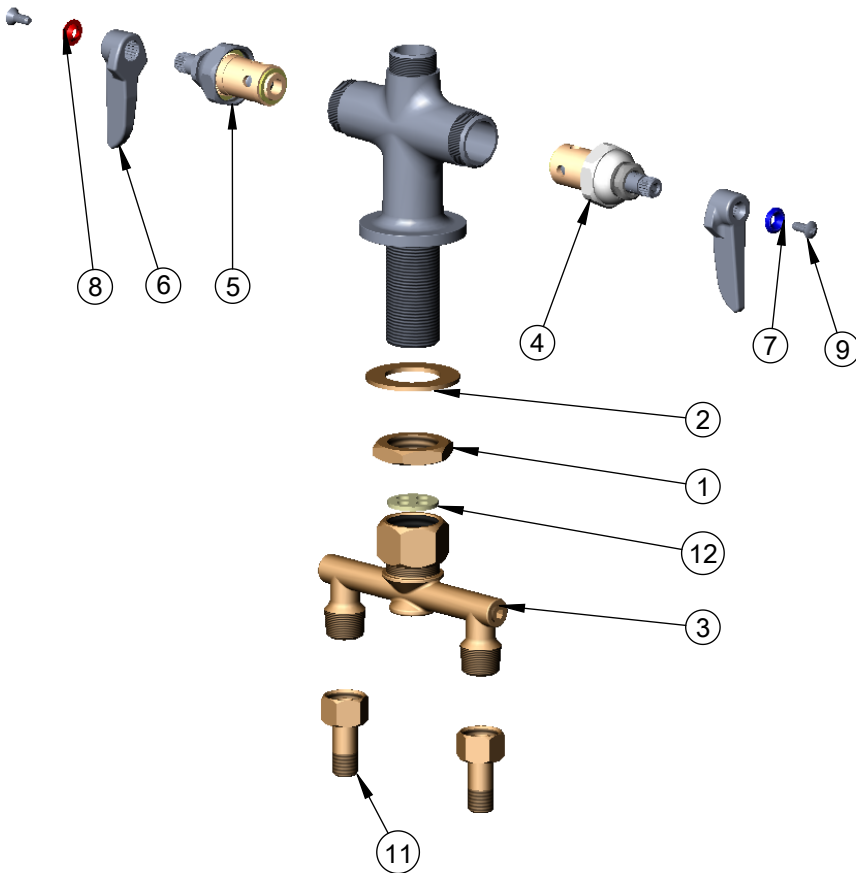
Model No.  
**B-0301**

Item No.

Travelers Rest, SC: 800-476-4103 Simi Valley, CA: 800-423-0150 Fax: 864-834-3518 www.tsbrass.com



ITEM	Sales No.	DESCRIPTION
1	000965-45	Lock Nut
2	007365-45	Lock Washer
3	002898-40	Spreader Assembly
4	005959-40	Eterna Spindle Asm, Cold
5	005960-40	Eterna Spindle Asm, Hot
6	177F	Lever Handle
7	001660-45	Blue Index-CW
8	001661-45	Red Index-HW
9	000922-45	Lever Handle Screw
10	133X	133X Swivel Gooseneck
11	150A	Nut & Tailpiece
12	009634-45	Spreader Washer



Product Specifications:

Single Hole Deck Mount Mixing Faucet w/  
Undercounter Spreader Assembly, Lever Handles,  
& 133X Swivel Gooseneck

Drawn WJS	Checked DHL	Approved JHB
Scale: 1:4		Date: 01/19/07