



T&S BRASS AND BRONZE WORKS, INC.

2 SADDLEBACK COVE / P.O. BOX 1088 / TRAVELERS REST, SC 29690

PHONE 800-476-4103

FAX 864-834-3518



REG.#A2601
ISO #9002

Model No.

B-0315

Item No.:

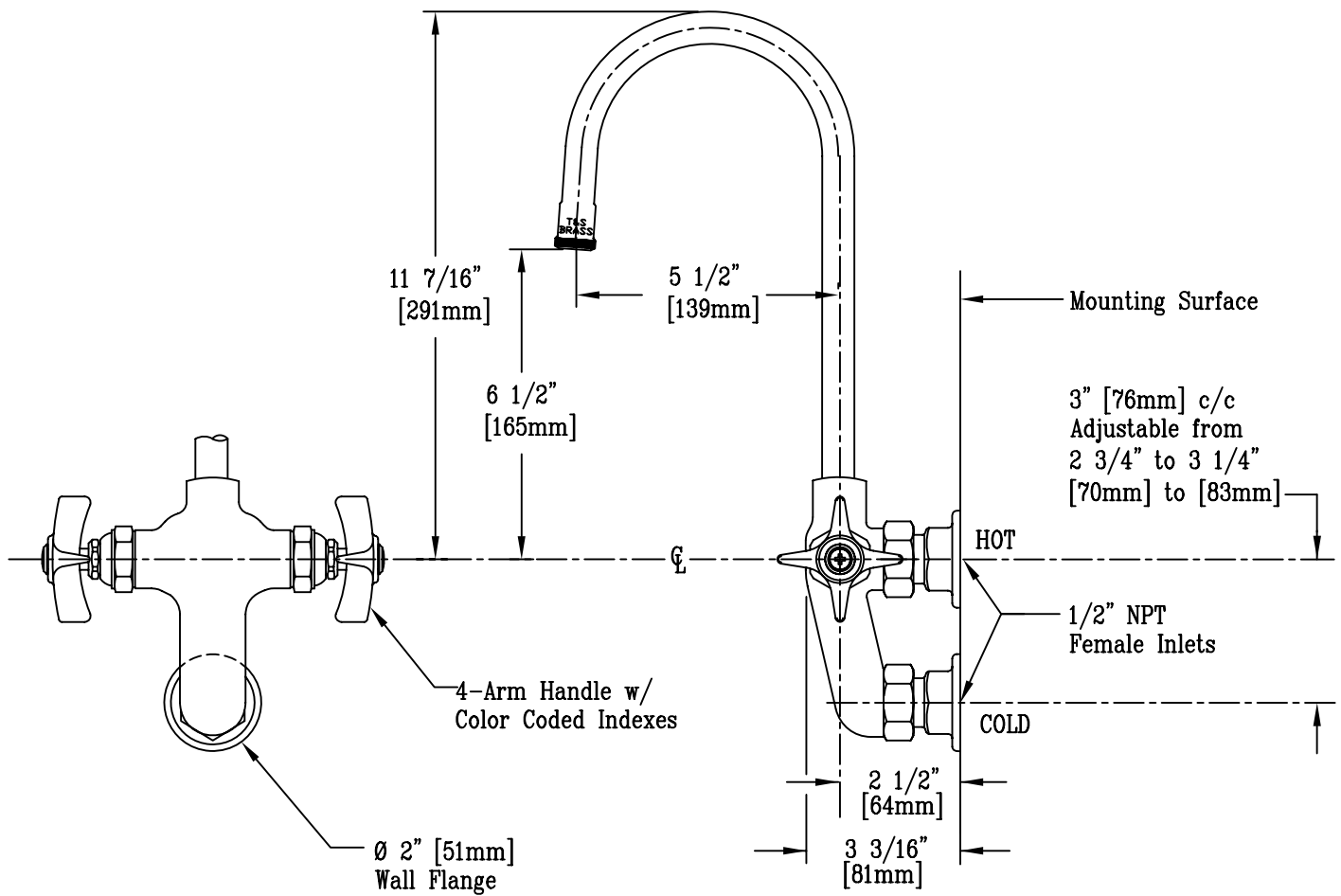
Job Name:

Architect/Engineer Approval:

Notes:



ADA COMPLIANT



Note: Available w/ B-0199-01 2.2 GPM Aerator

Product Description:
Vertical Mixing Faucet w/ 120X Rigid
Gooseneck Nozzle, 4-Arm Handles,
& 1/2" NPT Female Inlets

Drawn: DHL	Checked JRM	Scale: 1 : 4
Approved JHB		Date: 02/07/08