



# T&S BRASS AND BRONZE WORKS, INC.

2 Saddleback Cove / P.O. Box 1088  
Travelers Rest, SC 29690



REG. #A2601  
ISO #9001

Model No.

B-0318-02

Item No.

Travelers Rest, SC: 800-476-4103 Simi Valley, CA: 800-423-0150 Fax: 864-834-3518 www.tsbrass.com

This Space for Architect/Engineer Approval

Job Name \_\_\_\_\_ Date \_\_\_\_\_

Model Specified \_\_\_\_\_ Quantity \_\_\_\_\_

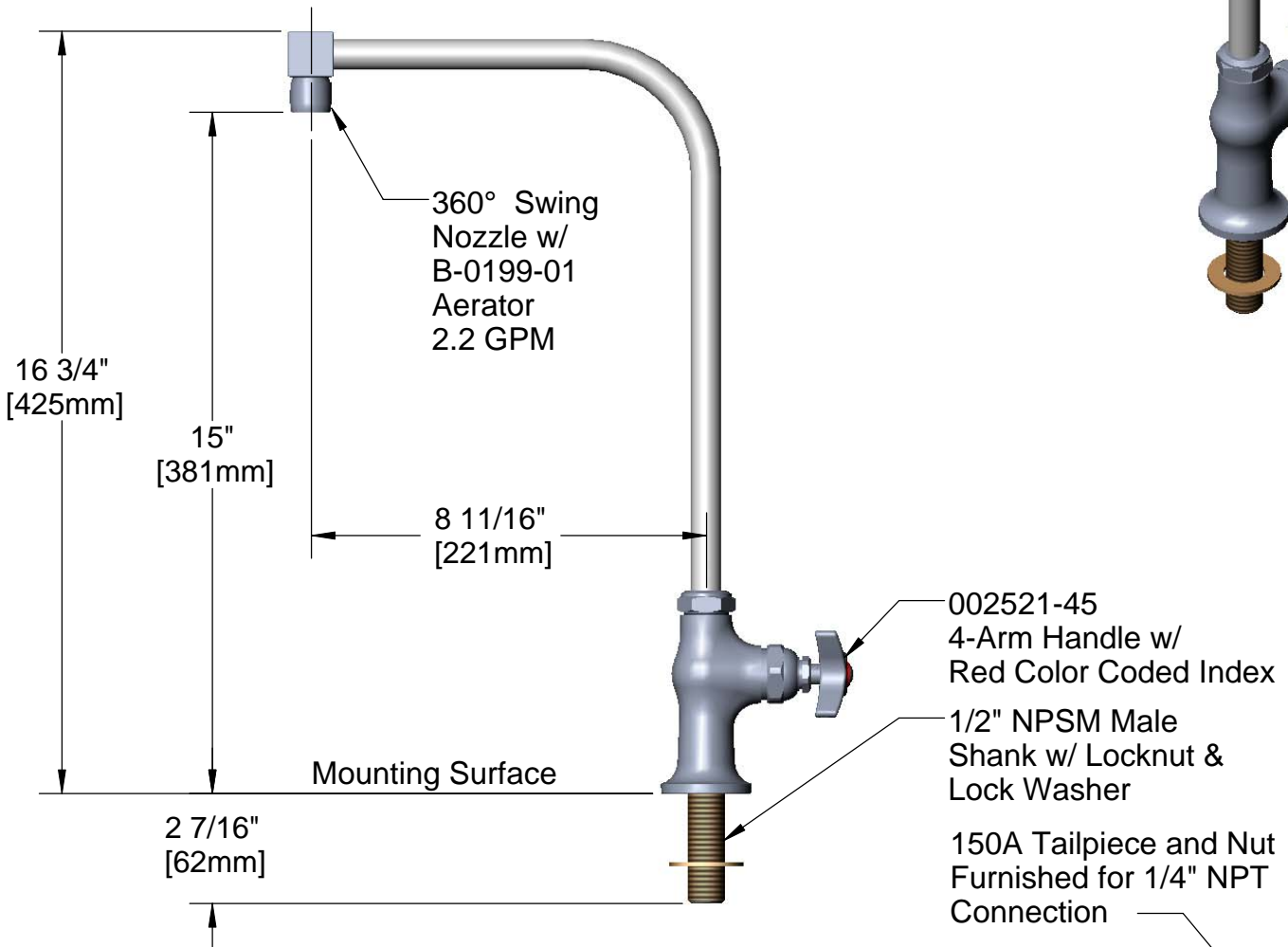
Customer/Wholesaler \_\_\_\_\_

Contractor \_\_\_\_\_

Architect/Engineer \_\_\_\_\_



**ADA Compliant**



**Rough-in Requirements:**  
Ø1" [25mm] Hole

Product Specifications:  
Pot Filler Base & Swing Nozzle w/ 2.2 GPM Aerator,  
4 Arm Handle & Red Color Coded Index w/ Extended  
Nozzle Height

Drawn DHL	Checked DMH	Approved JHB
Scale: 1:4		Date: 06/02/09



**T&S BRASS AND BRONZE WORKS, INC.**

2 Saddleback Cove / P.O. Box 1088  
Travelers Rest, SC 29690



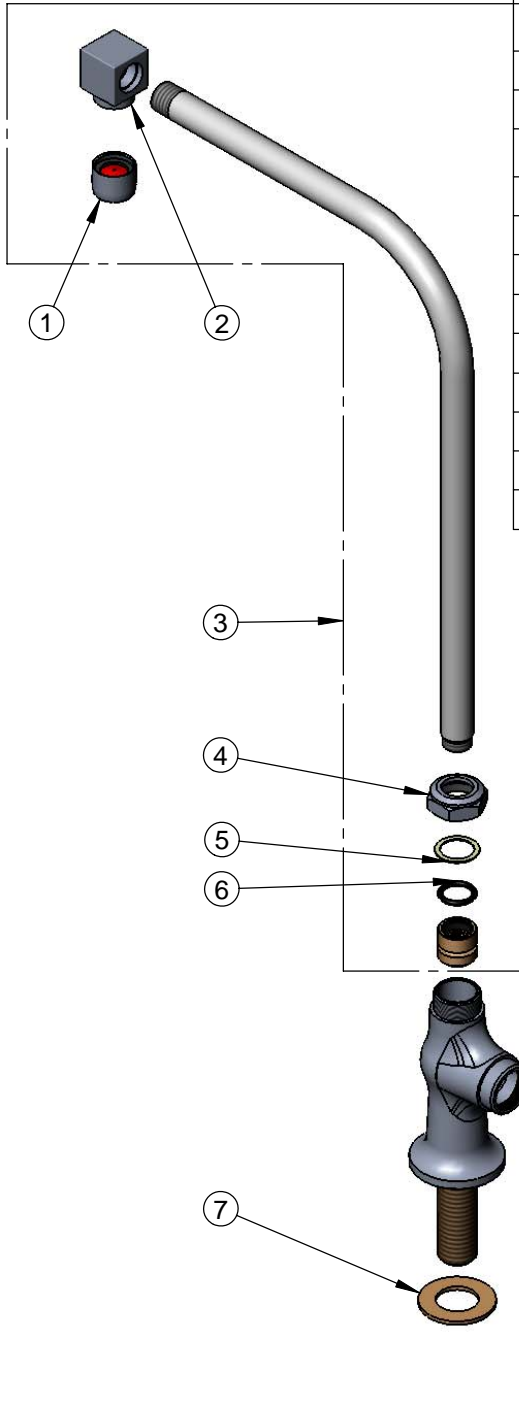
REG. #A2601  
ISO #9001

Model No.

**B-0318-02**

Item No.

Travelers Rest, SC: 800-476-4103 Simi Valley, CA: 800-423-0150 Fax: 864-834-3518 www.tsbrass.com



ITEM NO.	SALES NO.	DESCRIPTION
1	B-0199-01	2.2 GPM Aerator, Female
2	002823-40	Cube
3	017715-40	B-0318-02 Swing Nozzle Assembly
4	001524-40	Swivel Nut
5	001023-45	Swivel Sleeve
6	001074-45	O-Ring
7	000999-45	Brass Lock Washer
8	005960-40	Spindle Asm, Eterna "Hot"
9	002521-45	4-Arm Handle
10	001661-45	Red Index-HW
11	000922-45	Lever Handle Screw
12	150A	Bag of (1) Nut & (1) Tailpiece

Product Specifications:  
Pot Filler Base & Swing Nozzle w/ 2.2 GPM Aerator,  
4 Arm Handle & Red Color Coded Index w/ Extended  
Nozzle Height

Drawn <b>DHL</b>	Checked <b>DMH</b>	Approved <b>JHB</b>
Scale: <b>1:4</b>		Date: <b>06/02/09</b>