



T&S BRASS AND BRONZE WORKS, INC.
 2 SADDLEBACK COVE / P.O. BOX 1088 / TRAVELERS REST, SC 29690
 PHONE 800-476-4103 FAX 864- 834-3518



Model No.

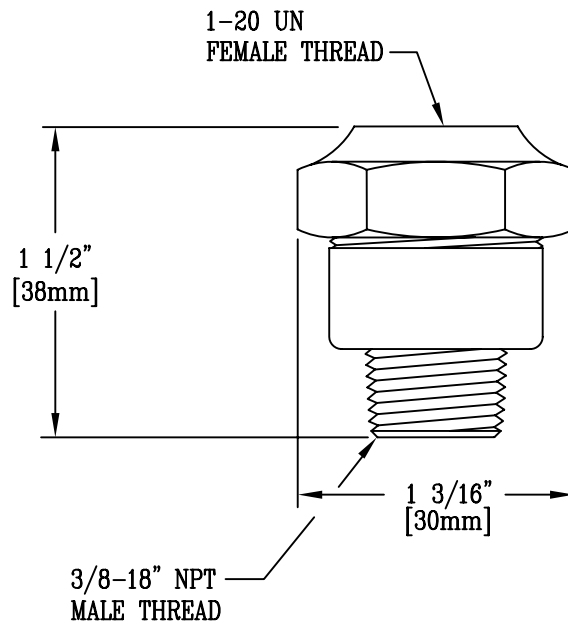
B-0414

Item No.:

Job Name:

Architect/Engineer Approval:

Notes:



NOTE:

ADAPTS A 3/8" NPT PIPE GOOSENECK TO FAUCETS WITH
 3/8" NPT OUTLET PROVIDING EITHER A SWIVEL OR UNION CONNECTION.

Product Description:

1"-20 UN FEMALE THREAD x 3/8"-18 NPT
 MALE THREAD COUPLING

Drawn:

KJG

Checked

DHL

Scale:

1' = 1'

Approved

JHB

Date:

11/11/08