

T&S BRASS AND BRONZE WORKS, INC.

2 SADDLEBACK COVE / P.O. BOX 1088 / TRAVELERS REST, SC 29690

PHONE 800-476-4103

FAX 864-834-3518



REG.#A2601  
ISO #9002

Model No.

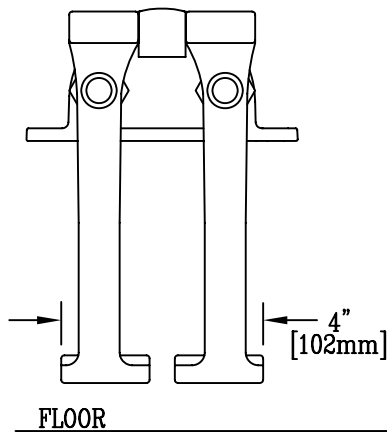
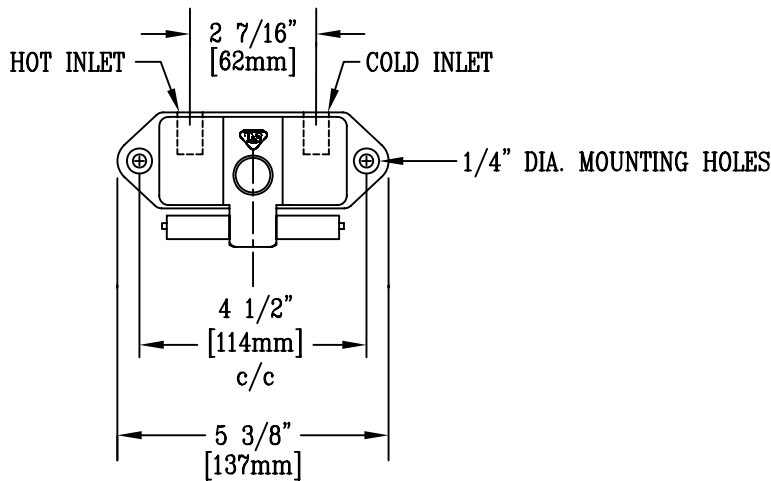
B-0505

Item No.:

Job Name:

Architect/Engineer Approval:

Notes:



ALIGNMENT & HEIGHT  
ADJUSTMENT SCREW

6 1/8" [156mm] TO  
7 5/16" [186mm] CLOSED,  
7 5/16" [186mm] TO  
7 7/8" [200mm] OPEN

WALL

1/2" NPT FEMALE  
OUTLET

1/2" NPT FEMALE  
INLETS

2 5/8"  
[67mm]

1 15/16"  
[49mm]

CAST ALUMINUM  
PEDALS

5 5/8" [143mm] TO  
7 1/8" [181mm] CLOSED,  
4 1/8" [105mm] TO  
5 3/4" [146mm] OPEN

1. PEDAL DIMENSIONS VARY ACCORDING TO MAX. & MIN. SETTINGS OF ADJUSTMENT SCREW.
2. FURNISHED WITH (2) WOOD MOUNTING SCREWS.

Product Description:

DOUBLE PEDAL VALVE  
(TOP OUTLET)

Drawn:

GEF

Approved

JHB

Checked

JRM

Scale:

1:4

Date:

04/24/07