

T&S BRASS AND BRONZE WORKS, INC.

2 SADDLEBACK COVE / P.O. BOX 1088 / TRAVELERS REST, SC 29690

PHONE 800-476-4103

FAX 864- 834-3518



REG.#A2601
ISO #9002

Model No.

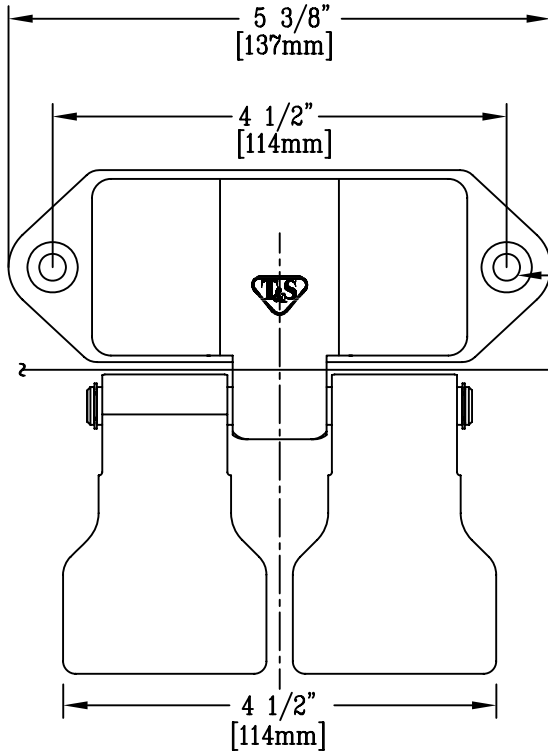
B-0509

Item No.:

Job Name:

Architect/Engineer Approval:

Notes:

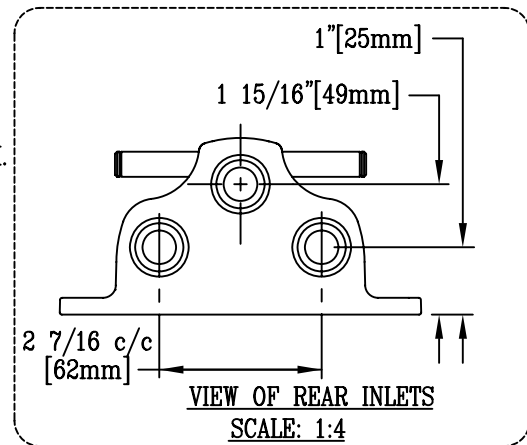


MOUNT PEDAL VALVE ON
LEDGE INSIDE CASEWORK.
(FURNISHED WITH (2)
WOOD MOUNTING SCREWS).

1/4" DIA. MOUNTING HOLES

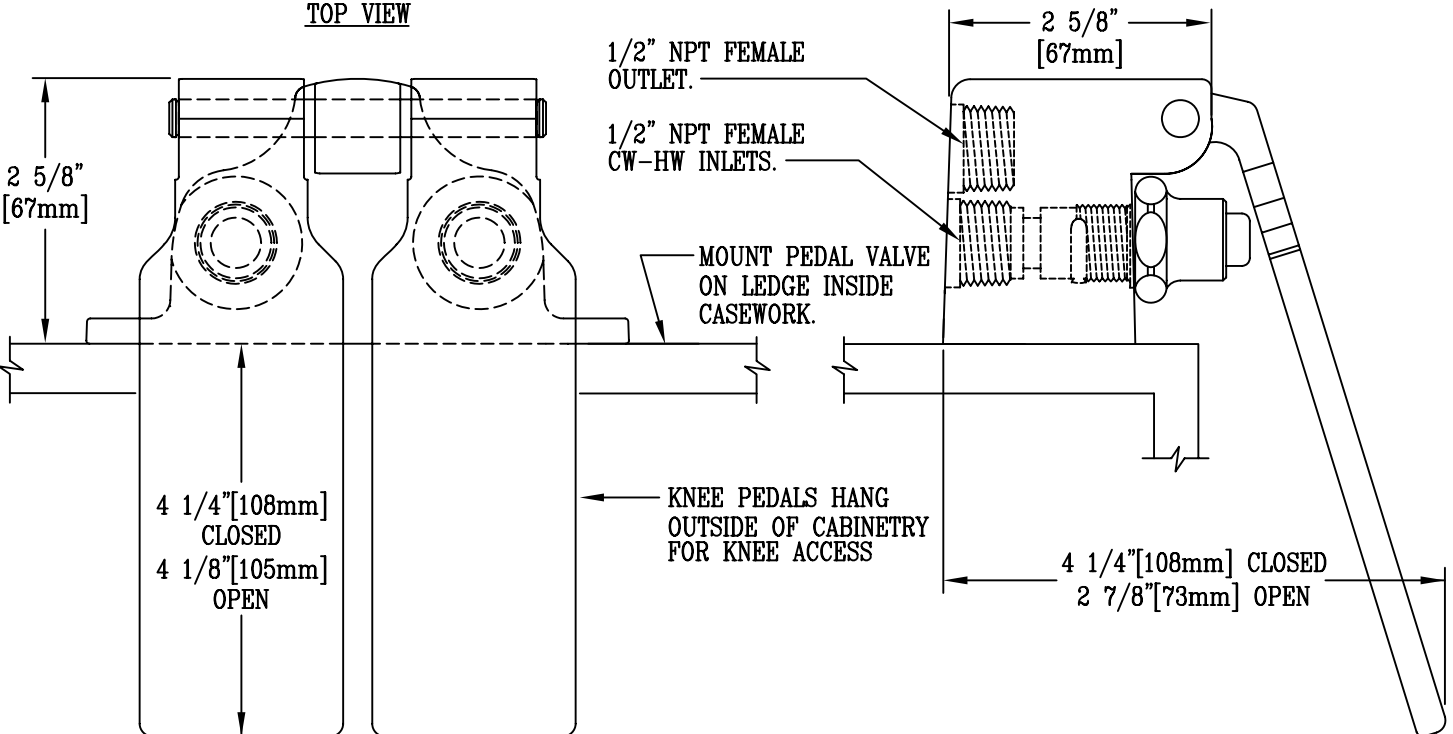
FRONT EDGE
OF CASEWORK

TOP VIEW



VIEW OF REAR INLETS

SCALE: 1:4



1/2" NPT FEMALE
OUTLET.

1/2" NPT FEMALE
CW-HW INLETS.

MOUNT PEDAL VALVE
ON LEDGE INSIDE
CASEWORK.

KNEE PEDALS HANG
OUTSIDE OF CABINETRY
FOR KNEE ACCESS

4 1/4" [108mm] CLOSED
2 7/8" [73mm] OPEN

Product Description:

DOUBLE KNEE PEDAL VALVE

Drawn:

GEF

Approved

JHB

Checked

JRM

Scale:

1:2

Date:

04/24/07