



T&S BRASS AND BRONZE WORKS, INC.

2 Saddleback Cove / P.O. Box 1088
Travelers Rest, SC 29690



REG. #A2601
ISO #9001

Model No.

B-0580

Item No.

Travelers Rest, SC: 800-476-4103 Simi Valley, CA: 800-423-0150 Fax: 864-834-3518 www.tsbrass.com

This Space for Architect/Engineer Approval

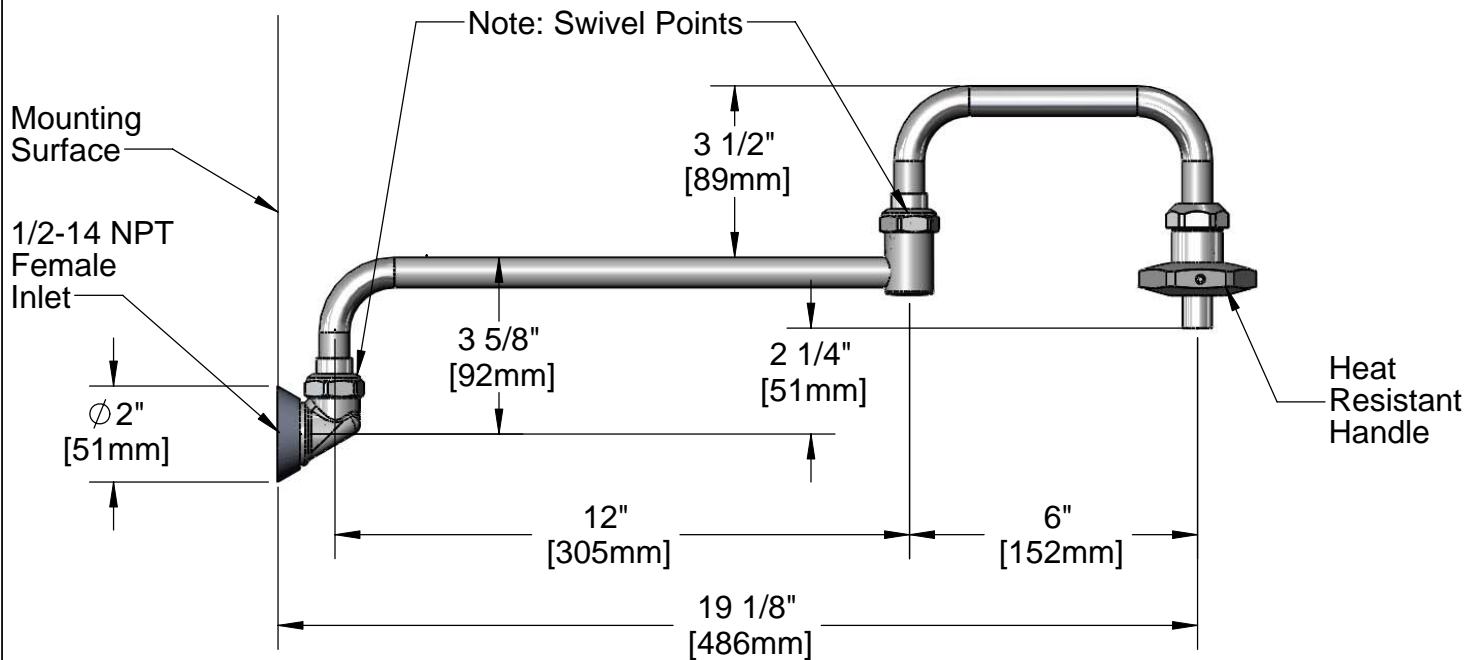
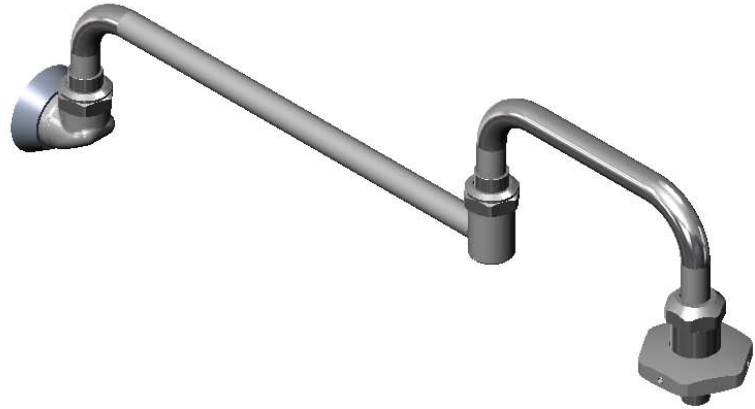
Job Name _____ Date _____

Model Specified _____ Quantity _____

Customer/Wholesaler _____

Contractor _____

Architect/Engineer _____



Product Specifications:

Pot Filler w/ 18" Double Joint Swing Nozzle, Heat Resistant Handle, 1/2" NPT Female Inlet

Drawn
KJG

Checked
DHL

Approved
JHB

Scale:

1:4

Date:

01/19/10



T&S BRASS AND BRONZE WORKS, INC.

2 Saddleback Cove / P.O. Box 1088
Travelers Rest, SC 29690



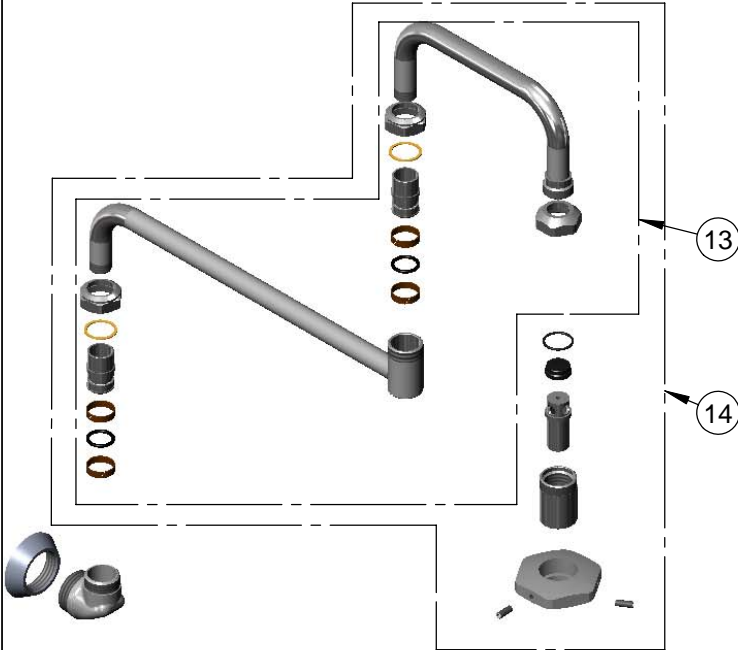
REG. #A2601
ISO #9001

Model No.

B-0580

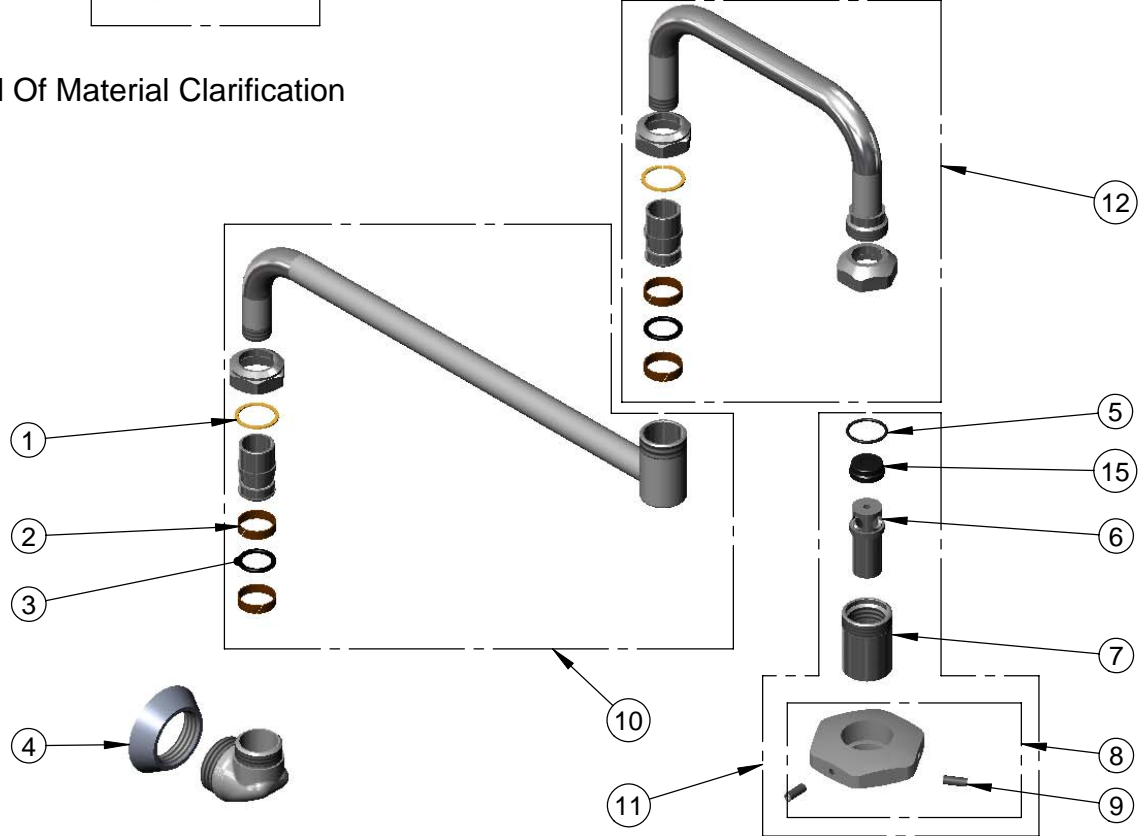
Item No.

Travelers Rest, SC: 800-476-4103 Simi Valley, CA: 800-423-0150 Fax: 864-834-3518 www.tsbrass.com



ITEM NO.	SALES NO.	DESCRIPTION
1	009538-45	Swivel Washer
2	011429-45	Swivel Sleeve (2)
3	001074-45	O-Ring
4	000101-40	Flange
5	003426-45	O-Ring
6	001498-25	Spout
7	000587-25	Spout Body
8	001126-45	Handle
9	000936-45	Handle Set Screw
10	002871-40	Back Section Spt 12"
11	035A	Outlet Assembly
12	002870-40	Nzl 6" Frnt Sect. Asm
13	068X	Double Joint Nozzle 18"
14	002848-40	Dbl Jt Nozzle Asm 18"
15	001089-45	Seal

Additional View for Bill Of Material Clarification



Product Specifications:

Pot Filler w/ 18" Double Joint Swing Nozzle, Heat Resistant Handle, 1/2" NPT Female Inlet

Drawn

KJG

Checked

DHL

Approved

JHB

Scale:

Date:

01/19/10