



# T&S BRASS AND BRONZE WORKS, INC.

2 Saddleback Cove / P.O. Box 1088  
Travelers Rest, SC 29690



REG. #A2601  
ISO #9001

Model No.

**B-0592**

Item No.

Travelers Rest, SC: 800-476-4103 Simi Valley, CA: 800-423-0150 Fax: 864-834-3518 www.tsbrass.com

This Space for Architect/Engineer Approval

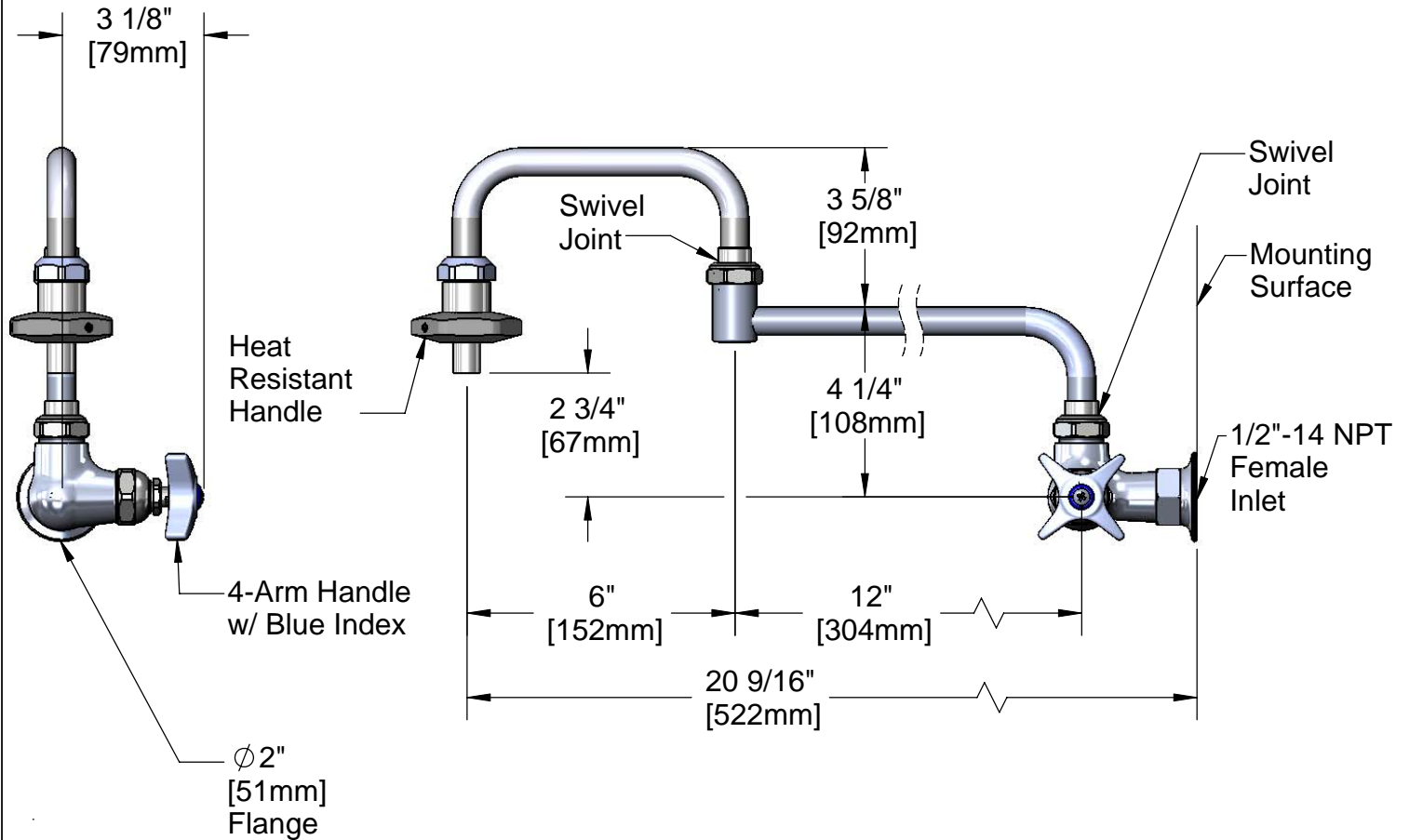
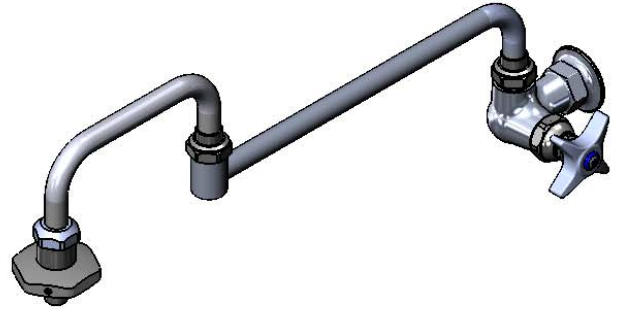
Job Name \_\_\_\_\_ Date \_\_\_\_\_

Model Specified \_\_\_\_\_ Quantity \_\_\_\_\_

Customer/Wholesaler \_\_\_\_\_

Contractor \_\_\_\_\_

Architect/Engineer \_\_\_\_\_



Product Specifications:

Pot Filler Wall Mount Faucet, Single Control w/  
18" Double Joint Nozzle, Heat Resistant Handle  
& 1/2" NPT Female Inlet

Drawn  
KJG

Checked  
DHL

Approved  
JHB

Scale:

1:4

Date:

01/19/10



# T&S BRASS AND BRONZE WORKS, INC.

2 Saddleback Cove / P.O. Box 1088  
Travelers Rest, SC 29690



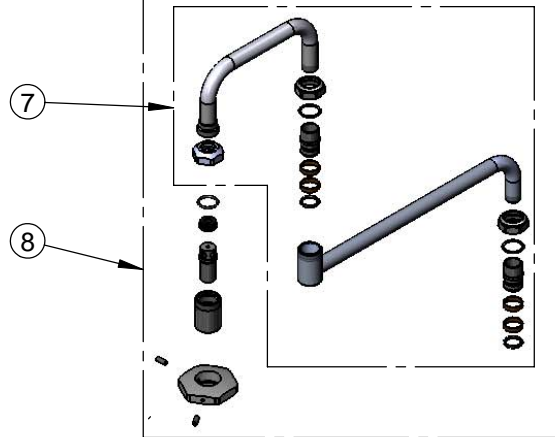
REG. #A2601  
ISO #9001

Model No.

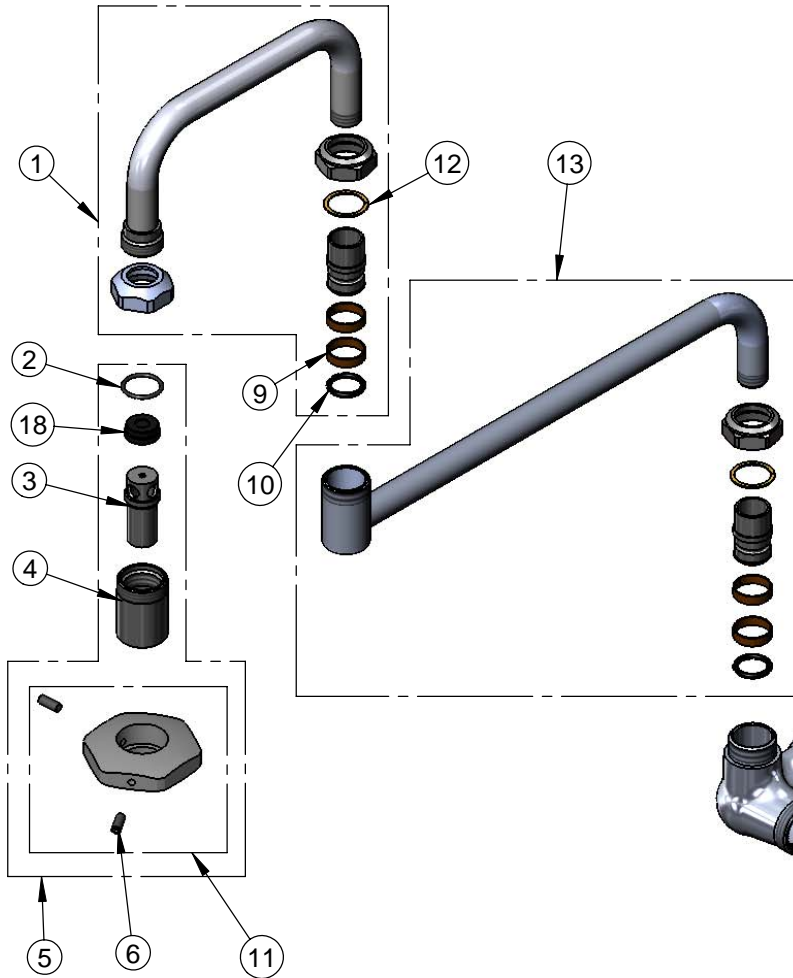
**B-0592**

Item No.

Travelers Rest, SC: 800-476-4103 Simi Valley, CA: 800-423-0150 Fax: 864-834-3518 www.tsbrass.com



Additional View for Bill of Material Clarification w/o Faucet



ITEM NO.	SALES NO.	DESCRIPTION
1	002870-40	Nzl 6" Frnt Sect.
2	003426-45	O-Ring
3	001498-25	Spout
4	000587-25	Spout Body
5	035A	Outlet Asm
6	000936-45	Handle Set Screw
7	068X	Double Joint Nzl 18"
8	002848-40	Dbl Jt Nozzle Asm 18"
9	011429-45	Swivel Sleeve (2)
10	001074-45	O-Ring
11	001126-20	B-0580 Bklt Hndl 034X
12	009538-45	Swivel Washer
13	002871-40	Back Section Spt 12"
14	005960-40	Spindle Asm, Eterna "Hot"
15	002521-45	4-Arm Handle
16	001660-45	Blue Index-CW
17	000922-45	Lever Handle Screw
18	001089-45	Seal

Product Specifications:

Pot Filler Wall Mount Faucet, Single Control w/  
18" Double Joint Nozzle, Heat Resistant Handle  
& 1/2" NPT Female Inlet

Drawn <b>KJG</b>	Checked <b>DHL</b>	Approved <b>JHB</b>
Scale: <b>NTS</b>		Date: <b>01/19/10</b>