



T&S BRASS AND BRONZE WORKS, INC.

2 Saddleback Cove / P.O. Box 1088
Travelers Rest, SC 29690



REG. #A2601
ISO #9001

Model No.

B-0610

Item No.

Travelers Rest, SC: 800-476-4103 Simi Valley, CA: 800-423-0150 Fax: 864-834-3518 www.tsbrass.com

This Space for Architect/Engineer Approval

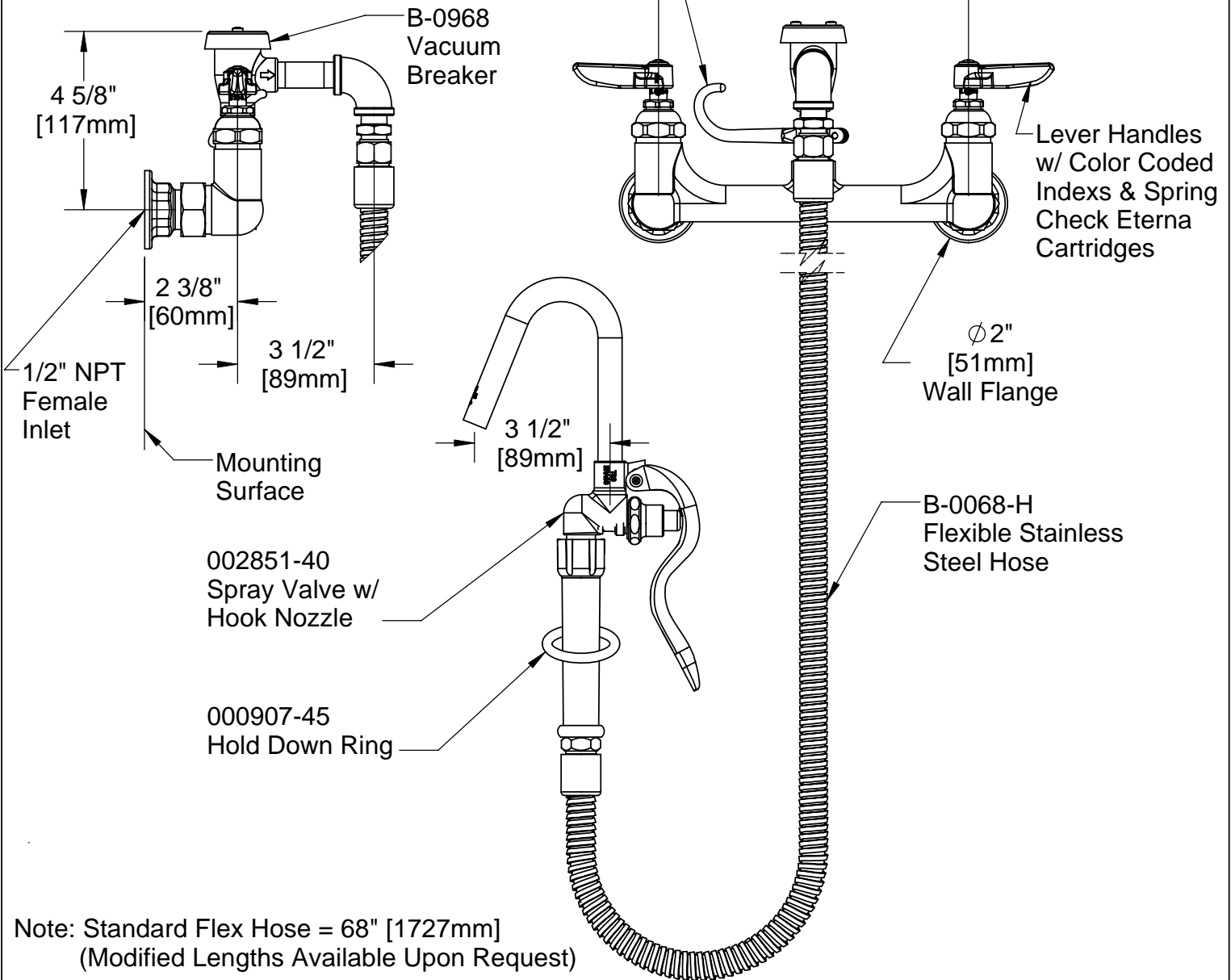
Job Name _____ Date _____

Model Specified _____ Quantity _____

Customer/Wholesaler _____

Contractor _____

Architect/Engineer _____



Product Specifications:

Kettle & Pot Filler Assembly w/ B-0068-H Flex Hose, Wall Mount Faucet, Vacuum Breaker, Lever Handles & Spray Valve w/ Hook Nozzle

Drawn KJG	Checked DHL	Approved JHB
Scale: 1:4		Date: 06/19/08



T&S BRASS AND BRONZE WORKS, INC.

2 Saddleback Cove / P.O. Box 1088
Travelers Rest, SC 29690



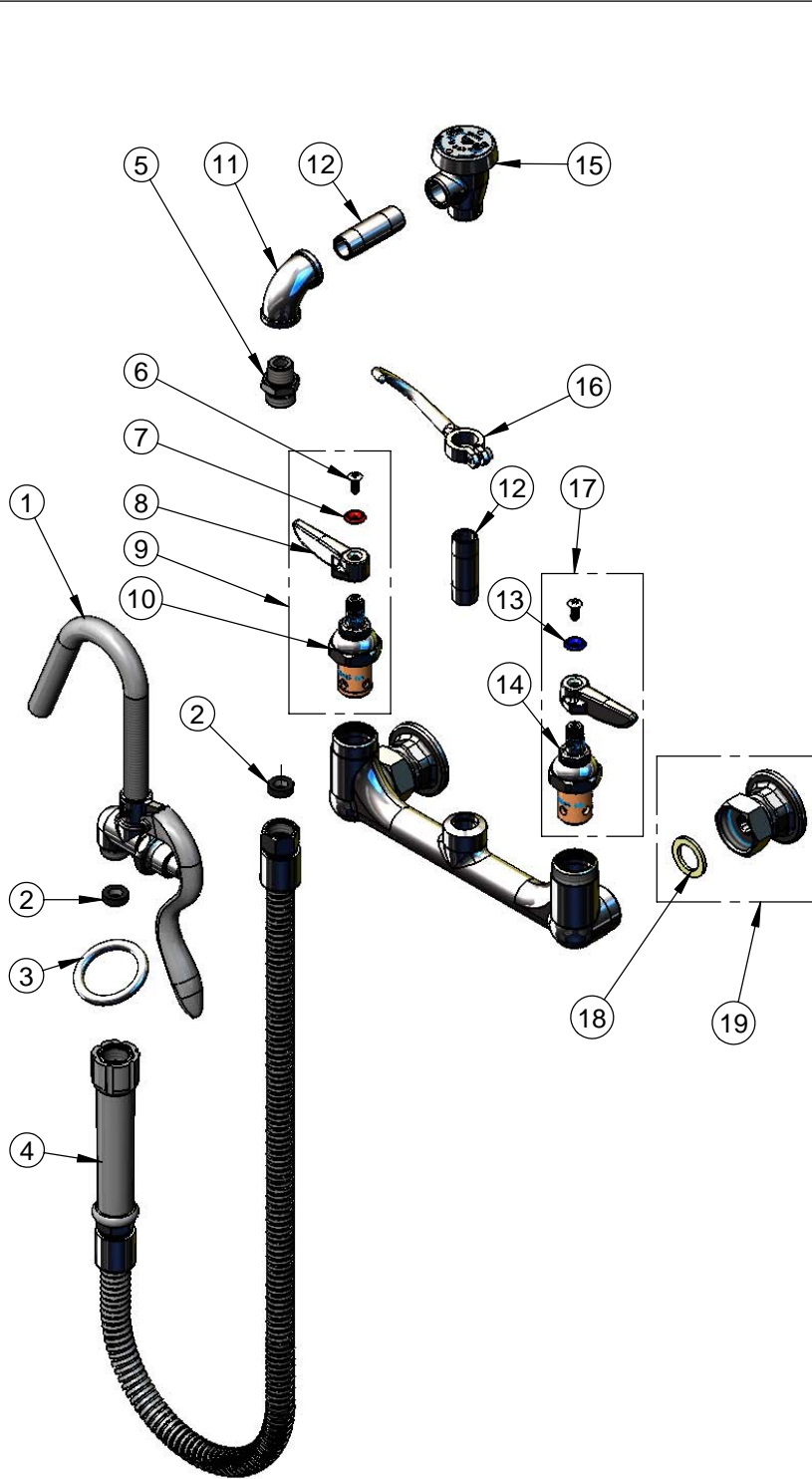
REG. #A2601
ISO #9001

Model No.

B-0610

Item No.

Travelers Rest, SC: 800-476-4103 Simi Valley, CA: 800-423-0150 Fax: 864-834-3518 www.tsbrass.com



ITEM NO.	SALES NO.	DESCRIPTION
1	002851-40	B-187 Spray Valve & Hook Nozzle Asm
2	010476-45	#27 Washer
3	000907-45	Spray Valve Hold Down Ring
4	B-0068-H	Flex Stainless Steel Hose
5	000545-25	Adapter
6	000922-45	Lever Handle Screw
7	001661-45	Red Index-HW
8	001638-45	Lever Handle
9	002712-40	Hot Eterna Spindle Asm w/ Spring Check, Handle, Index & Screw
10	012443-40	Hot Eterna Spindle Assembly w/ Spring Check
11	001355-40	Elbow, 3/8 NPT
12	000357-40	Nipple, 3/8" x 2"
13	001660-45	Blue Index-CW
14	012442-40	Cold Eterna Spindle Assembly w/ Spring Check
15	B-0968	Vacuum Breaker Asm, 3/8" NPT
16	004R	Finger Hook Assembly
17	002711-40	Cold Eterna Spindle Asm w/ Spring Check, Handle, Index & Screw
18	001019-45	Coupling Nut Washer
19	00AA	Flange Assembly, 00AA

Product Specifications:

Kettle & Pot Filler Assembly w/ B-0068-H Flex Hose, Wall Mount Faucet, Vacuum Breaker, Lever Handles & Spray Valve w/ Hook Nozzle

Drawn KJG	Checked DHL	Approved JHB
Scale: NTS		Date: 06/19/08