

# T&S BRASS AND BRONZE WORKS, INC.

2 SADDLEBACK COVE / P.O. BOX 1088 / TRAVELERS REST, SC 29690

PHONE 800-476-4103

FAX 864-834-3518



REG.#A2601  
ISO #9002

Model No.

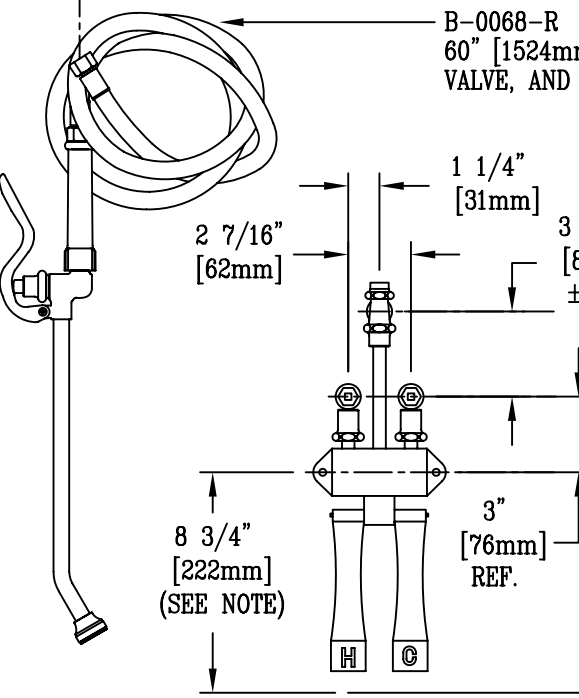
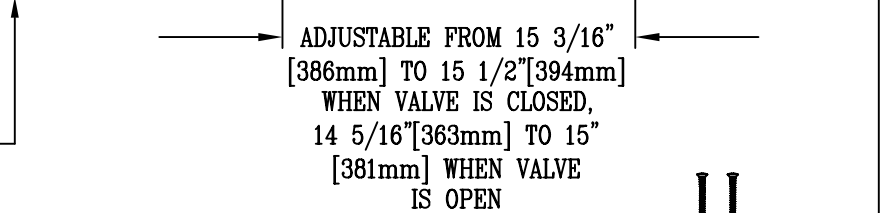
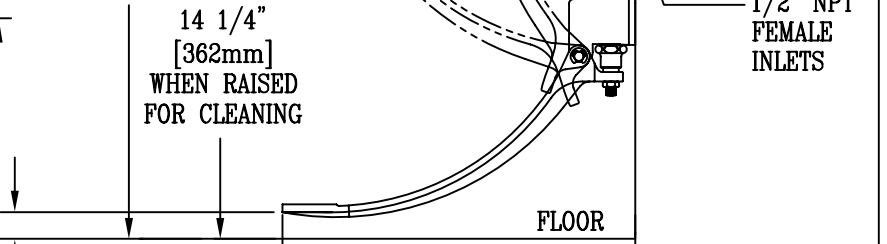
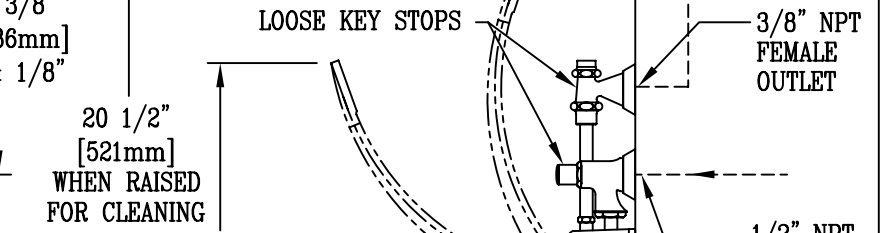
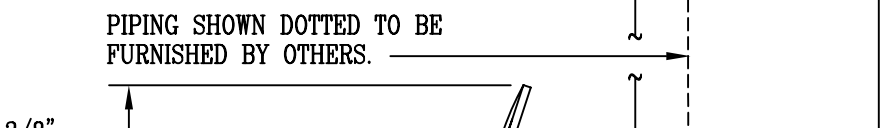
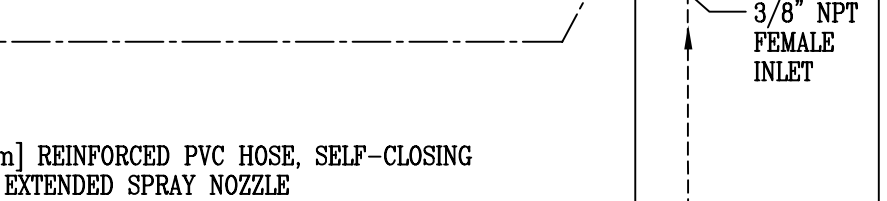
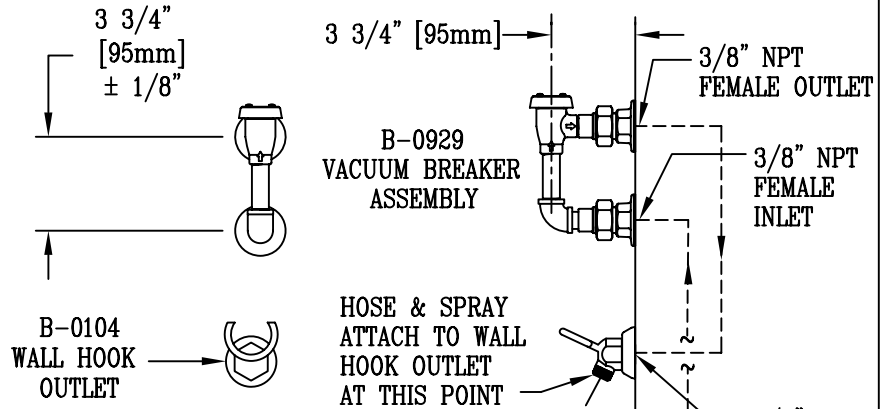
B-0675

Item No.:

Job Name:

Architect/Engineer Approval:

Notes:



ADJUSTABLE FROM 4 7/16" [113mm] TO 7" [178mm] WHEN VALVE IS CLOSED,  
1 3/8" [35mm] TO 3 1/8" [79mm] WHEN VALVE IS OPEN

NOTE: ALL PEDAL POSITION DIMENSIONS ARE BASED ON MINIMUM RECOMMENDED MOUNTING HEIGHT OF 8 3/4" [222mm] ABOVE FINISHED FLOOR.

FURNISHED w/ (2) WOOD MOUNTING SCREWS

Product Description:  
BED PAN WASHER WITH FOOT VALVE CONTROL,  
INTEGRAL LOOSE KEY STOPS, VACUUM BREAKER,  
& SELF-CLOSING VALVE W/ EXTENDED SPRAY OUTLET

Drawn: DHL	Checked JRM	Scale: 1:8
Approved JHB	Date: 07/25/08	