



# T&S BRASS AND BRONZE WORKS, INC.

2 SADDLEBACK COVE / P.O. BOX 1088 / TRAVELERS REST, SC 29690  
PHONE 800-476-4103 FAX 803- 834-3518



REG.#A2601  
ISO #9002

Model No.

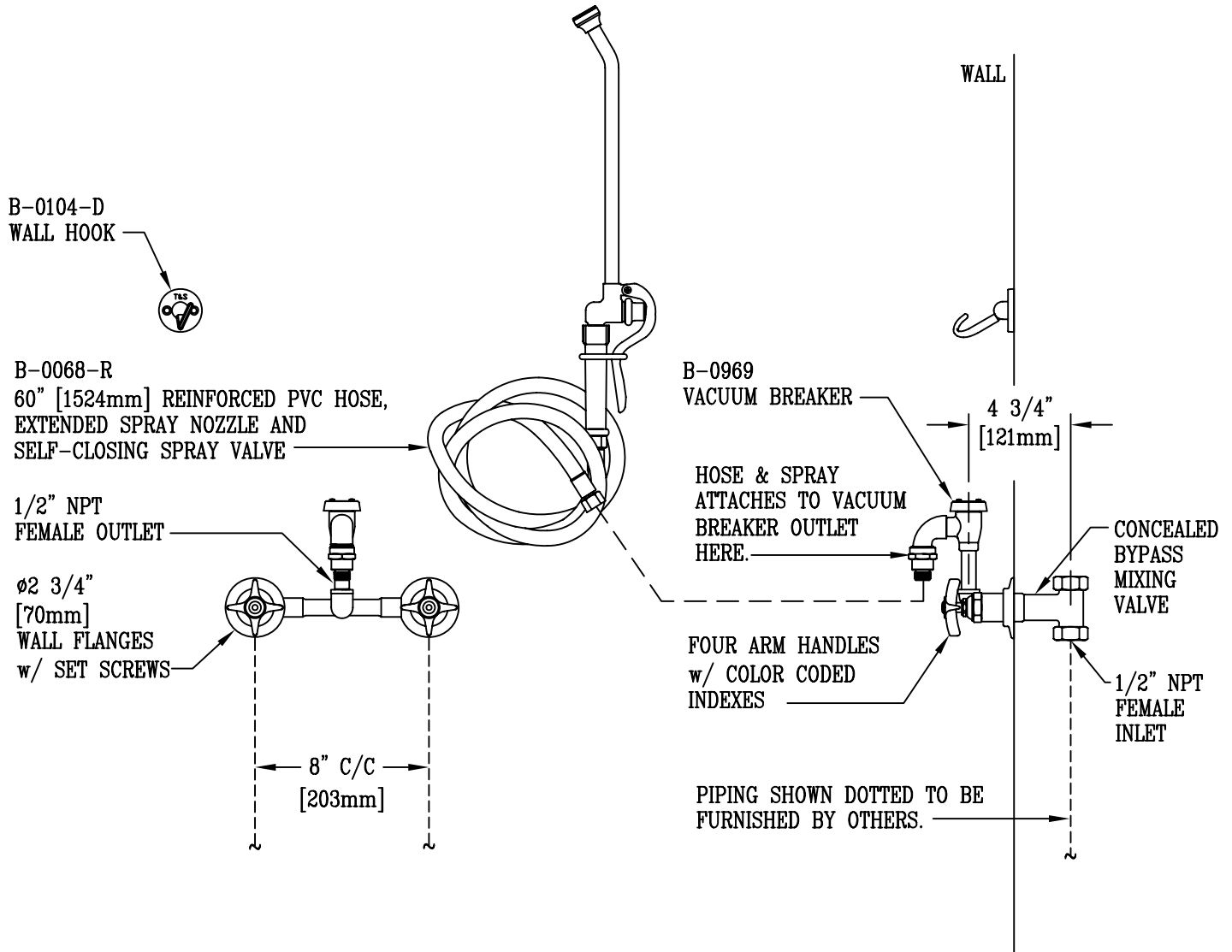
B-0682

Item No.:

Job Name:

Architect/Engineer Approval:

Notes:



**NOTE: PIPING BETWEEN SPOUT & MIXING VALE FURNISHED BY OTHERS**

Product Description:  
BED PAN WASHER w/ MIXING FAUCET,  
VACUUM BREAKER & SELF-CLOSING VALVE  
w/ EXTENDED SPRAY OUTLET

Drawn: KJG	Checked JRM	Scale: 1 : 8
Approved	JHB	Date: 12/21/09