



# T&S BRASS AND BRONZE WORKS, INC.

2 Saddleback Cove / P.O. Box 1088  
Travelers Rest, SC 29690



REG. #A2601  
ISO #9001

Model No.  
**B-0700-01**

Item No.

Travelers Rest, SC: 800-476-4103 Simi Valley, CA: 800-423-0150 Fax: 864-834-3518 www.tsbrass.com

This Space for Architect/Engineer Approval

Job Name \_\_\_\_\_ Date \_\_\_\_\_

Model Specified \_\_\_\_\_ Quantity \_\_\_\_\_

Customer/Wholesaler \_\_\_\_\_

Contractor \_\_\_\_\_

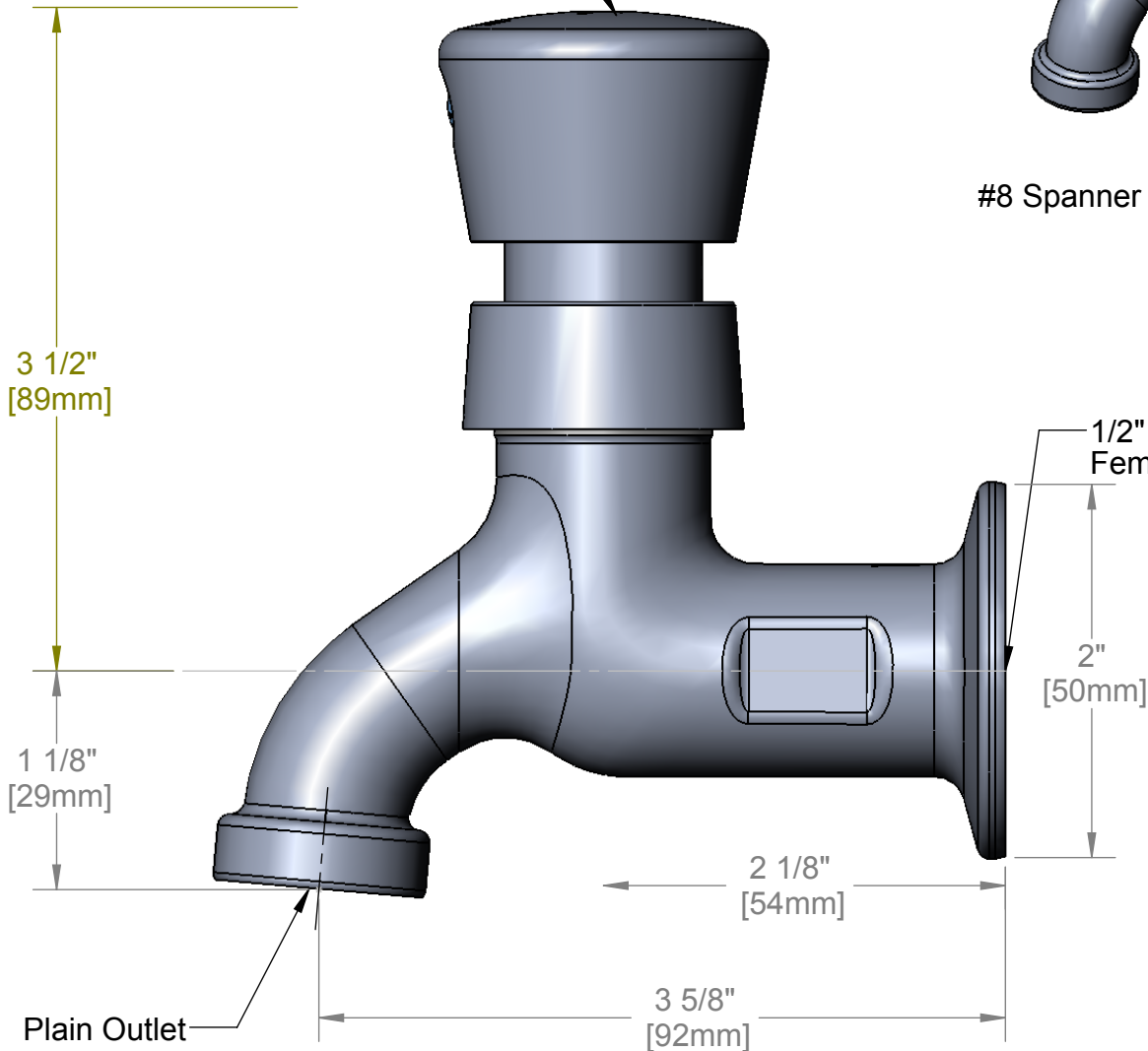
Architect/Engineer \_\_\_\_\_



**ADA Compliant**



Adjustable Flow  
Metering Cartridge



Product Specifications:

**Single Sink Faucet w/ 1/2" NPT  
Female Inlet & Push Handle  
Metering Cartridge**

Drawn  
JRM

Checked  
DHL

Approved  
JHB

Scale:

1:1

Date:

7/27/07



# T&S BRASS AND BRONZE WORKS, INC.

2 Saddleback Cove / P.O. Box 1088  
Travelers Rest, SC 29690



REG. #A2601  
ISO #9001

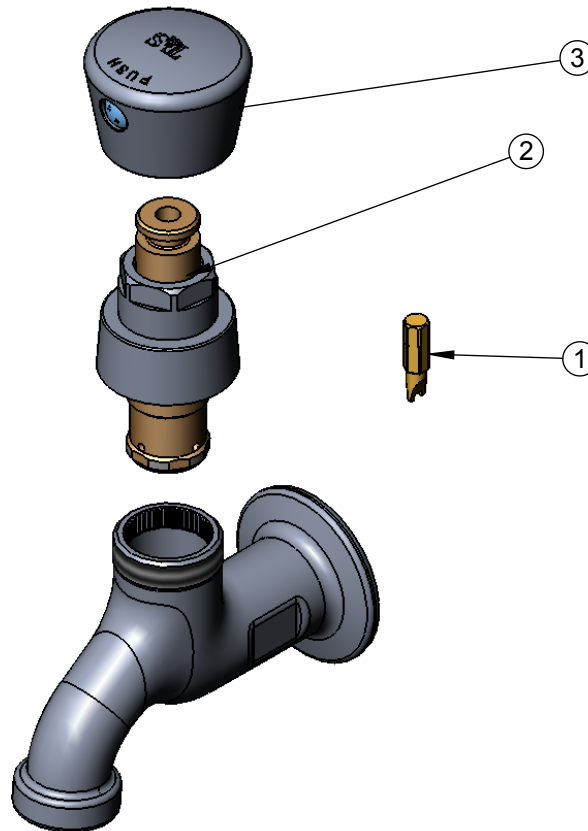
Model No.

**B-0700-01**

Item No.

Travelers Rest, SC: 800-476-4103 Simi Valley, CA: 800-423-0150 Fax: 864-834-3518 www.tsbrass.com

ITEM NO.	SALES NO.	DESCRIPTION
1	014734-45	#8 Spanner Bit
2	238AB	Flow Adjustable Metering Cartridge
3	014193-40	Blank Push Cap Asm



Product Specifications:

Single Sink Faucet w/ 1/2" NPT  
Female Inlet & Push Handle  
Metering Cartridge

Drawn  
JRM

Checked  
DHL

Approved  
JHB

Scale:

1:2

Date:

7/27/07