



# T&S BRASS AND BRONZE WORKS, INC.

2 Saddleback Cove / P.O. Box 1088  
Travelers Rest, SC 29690



REG. #A2601  
ISO #9001

Model No.

**B-0865-04**

Item No.

Travelers Rest, SC: 800-476-4103 Simi Valley, CA: 800-423-0150 Fax: 864-834-3518 www.tsbrass.com

This Space for Architect/Engineer Approval

Job Name \_\_\_\_\_ Date \_\_\_\_\_

Model Specified \_\_\_\_\_ Quantity \_\_\_\_\_

Customer/Wholesaler \_\_\_\_\_

Contractor \_\_\_\_\_

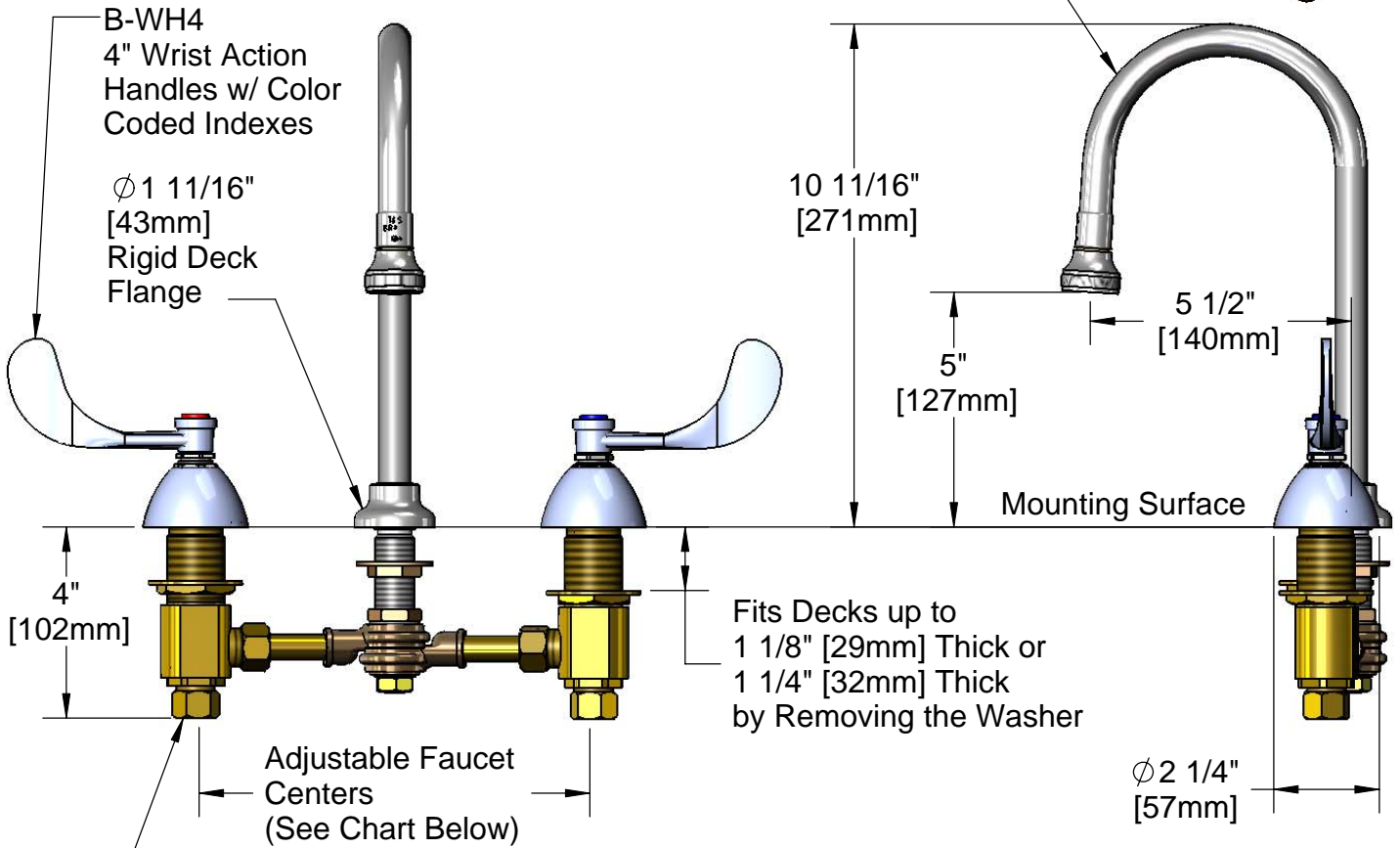
Architect/Engineer \_\_\_\_\_



**ADA Compliant**



Rigid Gooseneck w/  
B-0103 Rosespray



**Note: Rough-In Requirements**  
Center Shank:  $\phi 1$ " [ $\phi 25$ mm] Hole  
Hot/Cold Bodies:  $\phi 1 \frac{1}{2}$ " [ $\phi 38$ mm] Hole  
( $\phi 1 \frac{1}{4}$ " [ $\phi 32$ mm] Minimum)

Hot & Cold Center Sections Can be at Angle		if "Y" is	Then Faucet Will Fit "X" with Standard 1/4" NPT Cross Pipes Furnished
		1/2"	8"
		1"	7 3/4"
		1 1/2"	7 3/8"
		2"	7"

Product Specifications:

8" c/c Deck Mount Mixing Faucet w/ Eterna Cartridges, B-WH4  
4" Wrist Action Handles, Rigid Gooseneck w/ B-0103 Rosespray

Drawn  
**KJG**

Checked  
**DHL**

Approved  
**JHB**

Scale:

**1:4**

Date:

**09/01/09**



**T&S BRASS AND BRONZE WORKS, INC.**

2 Saddleback Cove / P.O. Box 1088  
Travelers Rest, SC 29690



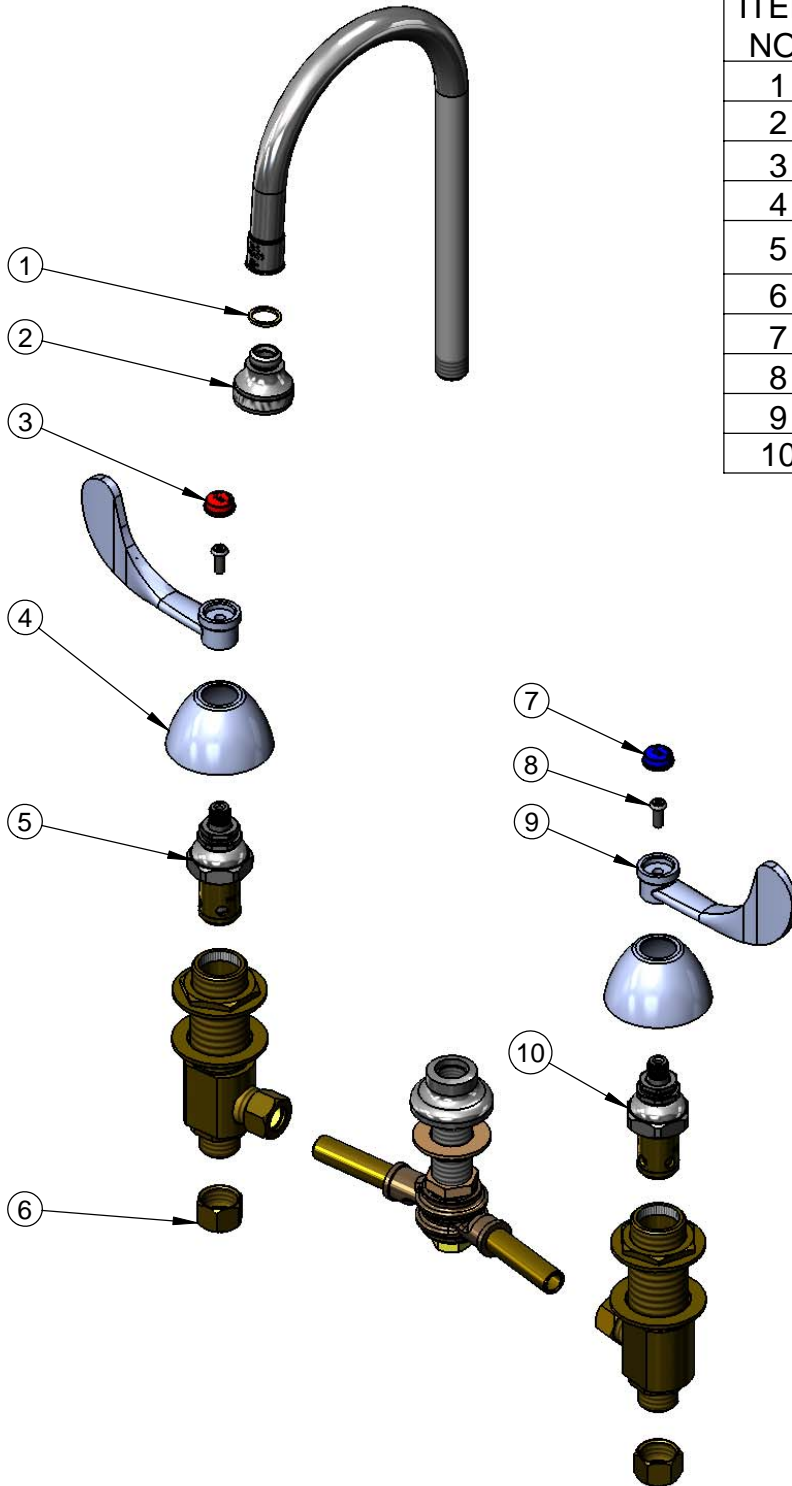
REG. #A2601  
ISO #9001

Model No.

**B-0865-04**

Item No.

Travelers Rest, SC: 800-476-4103 Simi Valley, CA: 800-423-0150 Fax: 864-834-3518 www.tsbrass.com



ITEM NO.	SALES NO.	DESCRIPTION
1	001043-45	Washer
2	B-0103	Spray Head Assembly
3	001194-45	Red HW Index
4	001257-40	Bell Escutcheon
5	006478-40	Spindle Asm., RH Eterna
6	000958-20	Coupling Nut
7	001686-45	Blue CW Index
8	000925-45	Lab Handle Screw
9	B-WH4	4" Wrist Action Handle
10	006477-40	Spindle Asm., LH Eterna

Product Specifications:

8" c/c Deck Mount Mixing Faucet w/ Eterna Cartridges, B-WH4  
4" Wrist Action Handles, Rigid Gooseneck w/ B-0103 Rosespray

Drawn <b>KJG</b>	Checked <b>DHL</b>	Approved <b>JHB</b>
Scale: <b>NTS</b>		Date: <b>09/01/09</b>