



# T&S BRASS AND BRONZE WORKS, INC.

2 Saddleback Cove / P.O. Box 1088  
Travelers Rest, SC 29690



REG. #A2601  
ISO #9001

Model No.  
**B-0892**

Item No.

Travelers Rest, SC: 800-476-4103 Simi Valley, CA: 800-423-0150 Fax: 864-834-3518 www.tsbrass.com

This Space for Architect/Engineer Approval

Job Name \_\_\_\_\_ Date \_\_\_\_\_

Model Specified \_\_\_\_\_ Quantity \_\_\_\_\_

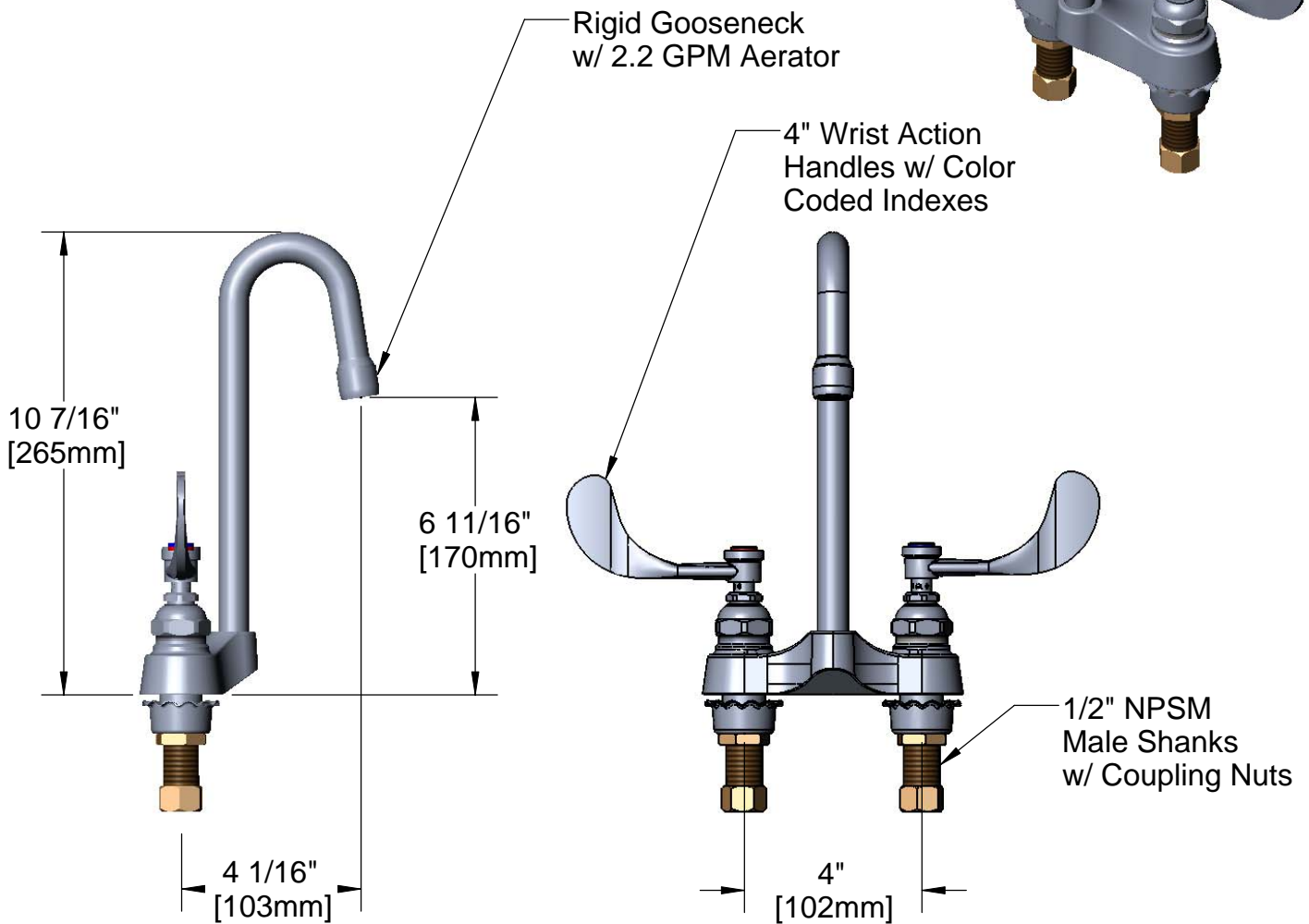
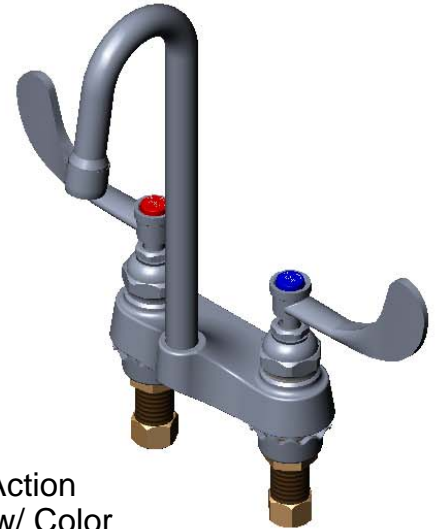
Customer/Wholesaler \_\_\_\_\_

Contractor \_\_\_\_\_

Architect/Engineer \_\_\_\_\_



**ADA Compliant**



Product Specifications:  
 4" Centerset Mixing Faucet w/ 1/2" NPSM Male Shanks,  
 Eterna Cartridges, 4" Wrist Action Handles,  
 Rigid Gooseneck w/ 2.2 GPM Aerator

Drawn <b>DHL</b>	Checked <b>JRM</b>	Approved <b>JHB</b>
Scale: <b>1:4</b>		Date: <b>07/21/08</b>



**T&S BRASS AND BRONZE WORKS, INC.**

2 Saddleback Cove / P.O. Box 1088  
Travelers Rest, SC 29690



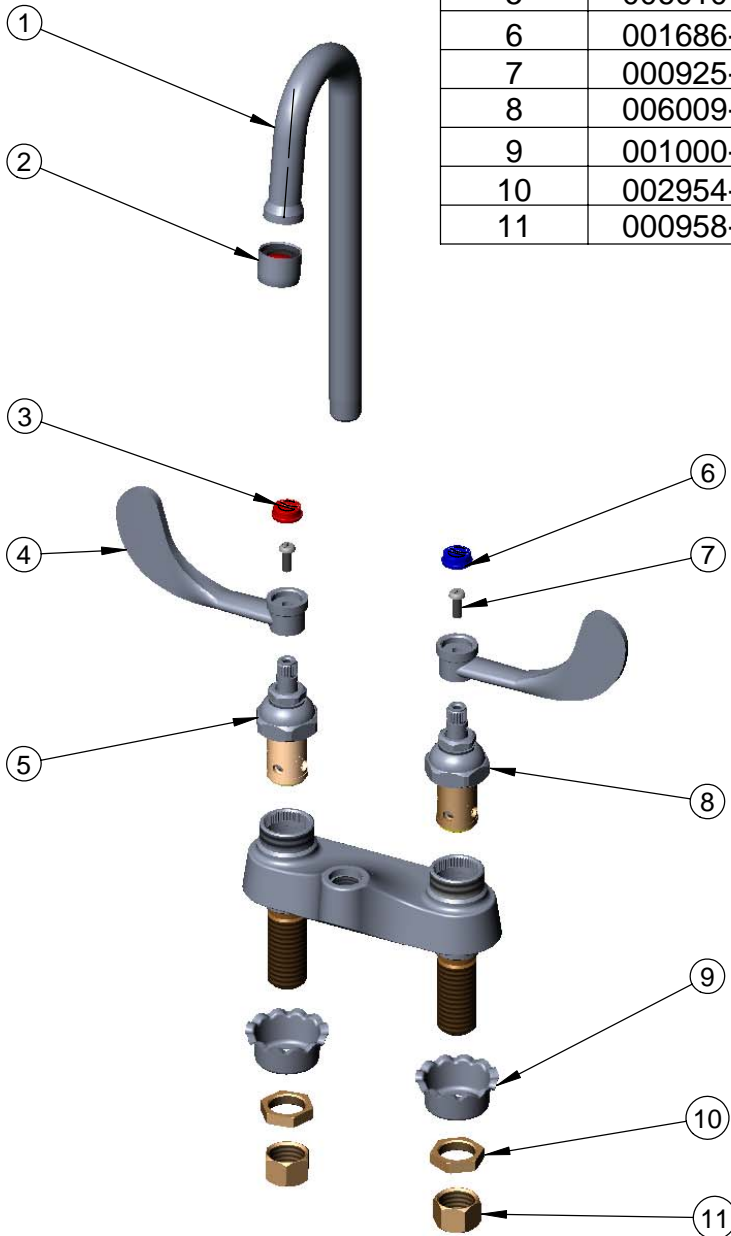
REG. #A2601  
ISO #9001

Model No.  
**B-0892**

Item No.

Travelers Rest, SC: 800-476-4103 Simi Valley, CA: 800-423-0150 Fax: 864-834-3518 www.tsbrass.com

ITEM NO.	SALES NO.	DESCRIPTION
1	005028-40	Gooseneck
2	B-0199-01	2.2 GPM Aerator, 55/64-27 Female
3	001194-45	Red HW Index
4	B-WH4	4" Wrist Action Handle
5	006010-40	Hot Spindle Assembly
6	001686-45	Blue CW Index
7	000925-45	Lab Handle Screw
8	006009-40	Cold Spindle Assembly
9	001000-45	Rosette Washer
10	002954-45	Shank Lock Nut
11	000958-20	Coupling Nut



Product Specifications:

4" Centerset Mixing Faucet w/ 1/2" NPSM Male Shanks,  
Eterna Cartridges, 4" Wrist Action Handles,  
Rigid Gooseneck w/ 2.2 GPM Aerator

Drawn <b>DHL</b>	Checked <b>JRM</b>	Approved <b>JHB</b>
Scale: <b>1:4</b>		Date: <b>07/21/08</b>