

T&S BRASS AND BRONZE WORKS, INC.

2 SADDLEBACK COVE / P.O. BOX 1088 / TRAVELERS REST, SC 29690

PHONE 800-476-4103

FAX 864-834-3518



REG.#A2601  
ISO #9002

Model No.

B-0900

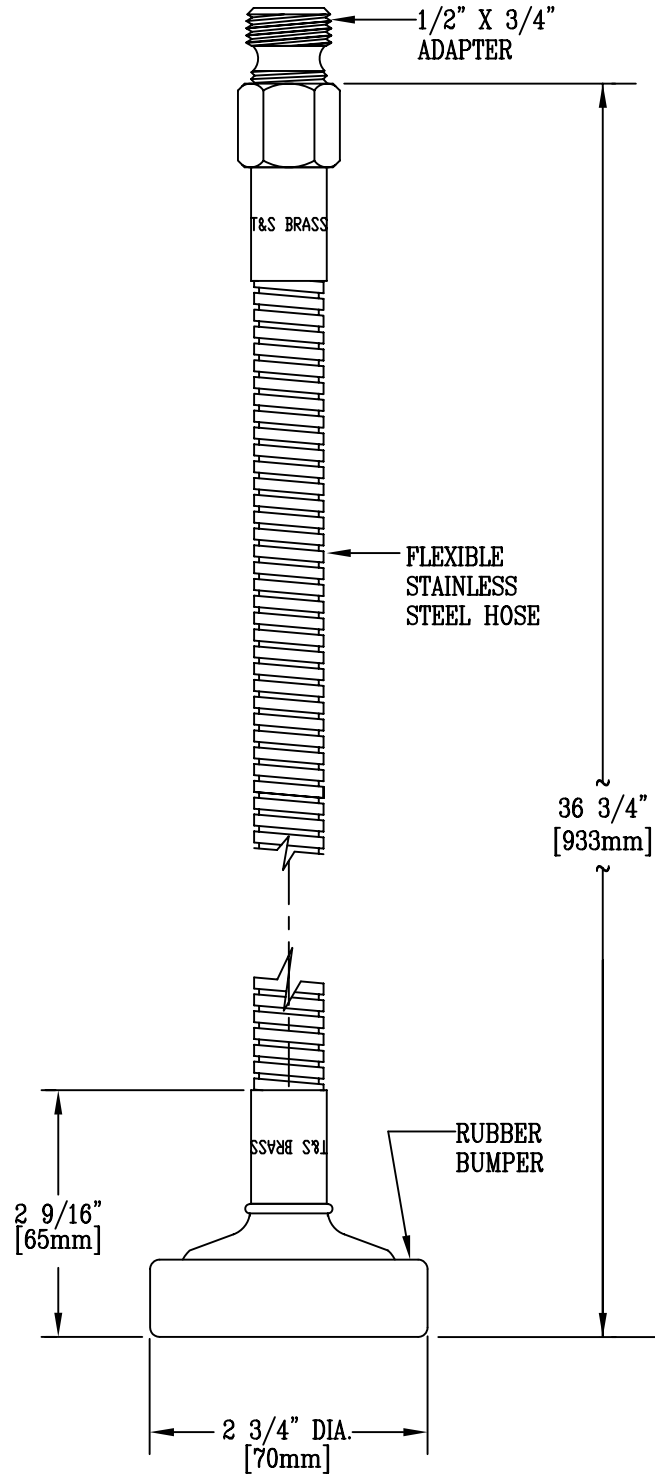
Item No.:

Job Name:

Architect/Engineer Approval:

Notes:

EPAct2005 NON-COMPLIANT



Product Description:

SHAMPOO SPRAY ASSEMBLY WITH THREE FOOT  
LONG FLEXIBLE STAINLESS STEEL HOSE,  
AND SPRAY HEAD WITH RUBBER BUMPER

Drawn:

DHL

Checked

JRM

Scale:

1 : 2

Approved

JHB

Date:

6/18/08