



T&S BRASS AND BRONZE WORKS, INC.

2 Saddleback Cove / P.O. Box 1088
Travelers Rest, SC 29690



REG. #A2601
ISO #9001

Model No.

B-0950

Item No.

Travelers Rest, SC: 800-476-4103 Simi Valley, CA: 800-423-0150 Fax: 864-834-3518 www.tsbrass.com

This Space for Architect/Engineer Approval

Job Name _____ Date _____

Model Specified _____ Quantity _____

Customer/Wholesaler _____

Contractor _____

Architect/Engineer _____

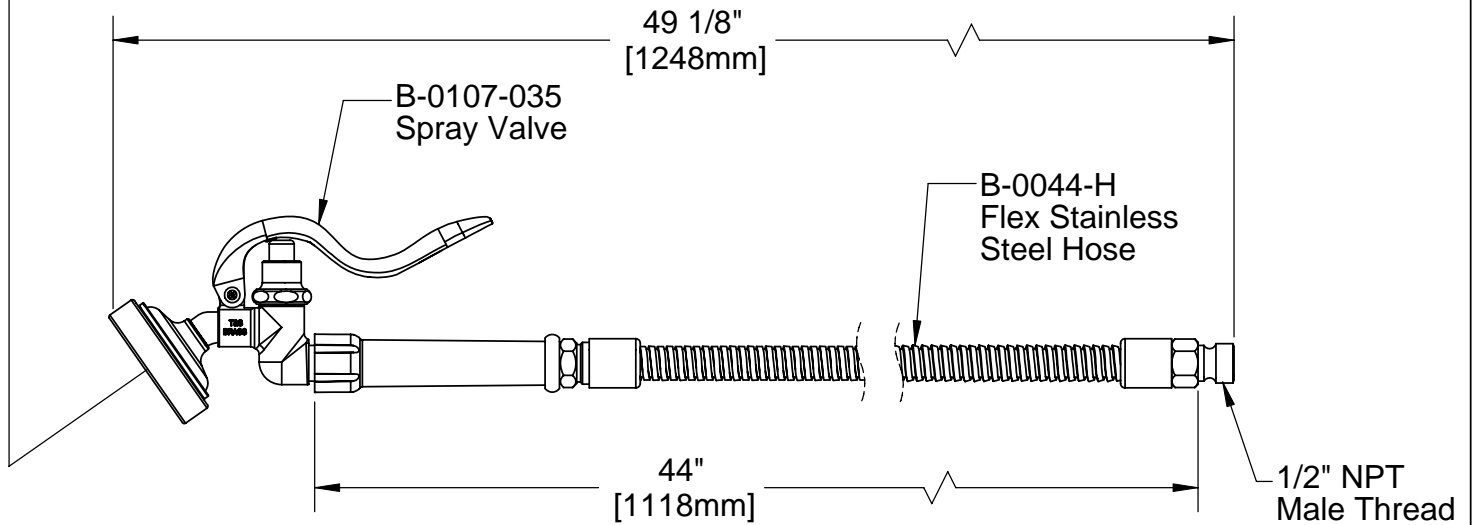
EPAAct2005 COMPLIANT



Spray Face



Hold Down Ring w/
Hose Washer



Note: Standard Flex Hose = 44" Long
(Modified Lengths Available Upon Request)

Product Specifications:

Pre-Rinse Unit Accessory
B-0107-035 Spray Valve w/ B-0044-H Flex Hose

Drawn KJG	Checked DHL	Approved JHB
Scale: 1:4		Date: 06/19/08



T&S BRASS AND BRONZE WORKS, INC.

2 Saddleback Cove / P.O. Box 1088
Travelers Rest, SC 29690



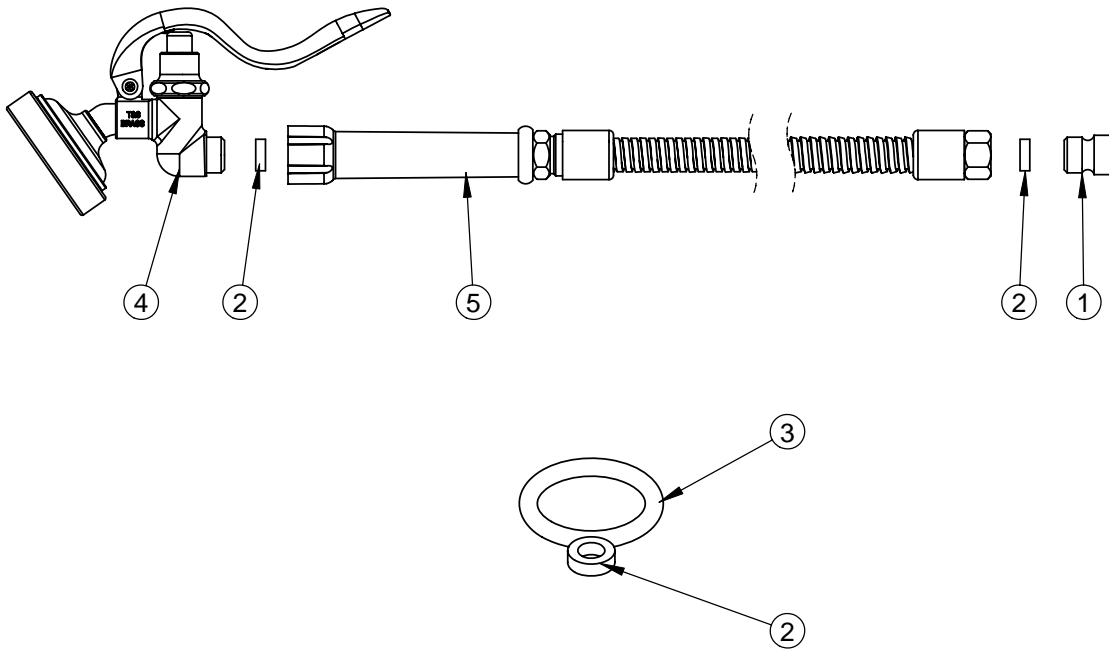
REG. #A2601
ISO #9001

Model No.
B-0950

Item No.

Travelers Rest, SC: 800-476-4103 Simi Valley, CA: 800-423-0150 Fax: 864-834-3518 www.tsbrass.com

ITEM NO.	SALES NO.	DESCRIPTION
1	000547-25	Adapter, 1/2 NPT Male
2	010476-45	#27 Washer
3	000907-45	Spray Valve Hold Down Ring
4	B-0107-035	Spray Valve Assembly
5	B-0044-H	B-0044-H Flex Hose Assembly



Product Specifications:

Pre-Rinse Unit Accessory
B-0107-035 Spray Valve w/ B-0044-H Flex Hose

Drawn

KJG

Checked

DHL

Approved

JHB

Scale:

NTS

Date:

06/19/08