



T&S BRASS AND BRONZE WORKS, INC.

2 SADDLEBACK COVE / P.O. BOX 1088 / TRAVELERS REST, SC 29690

PHONE 800-476-4103

FAX 864- 834-3518



REG.#A2601
ISO #9002

Model No.

B-1020

Item No.:

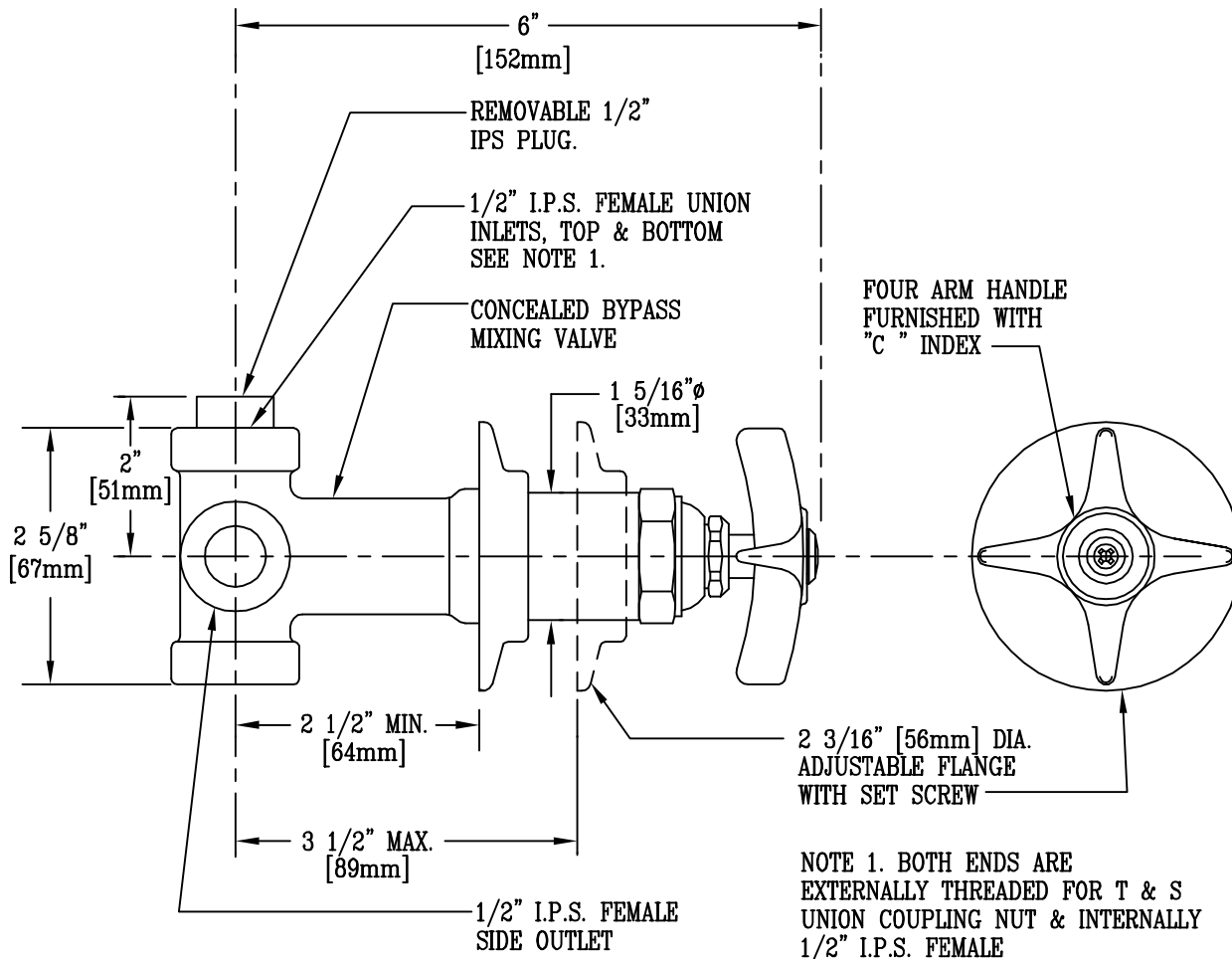
Job Name:

Architect/Engineer Approval:

Notes:



ADA COMPLIANT



Product Description:
CONCEALED BYPASS MIXING VALVE,
WITH 1/2" NPT FEMALE UNION INLET,
& FOUR ARM HANDLE INDEXED "C".

Drawn:

WJS

Checked

SCM

Scale:

6" = 1'

Approved

CA

Date:

8/21/95