



**T&S BRASS AND BRONZE WORKS, INC.**

2 SADDLEBACK COVE / P.O. BOX 1088 / TRAVELERS REST, SC 29690

PHONE 800-476-4103

FAX 864-834-3518



REG. #A2601  
ISO #9002

Model No.

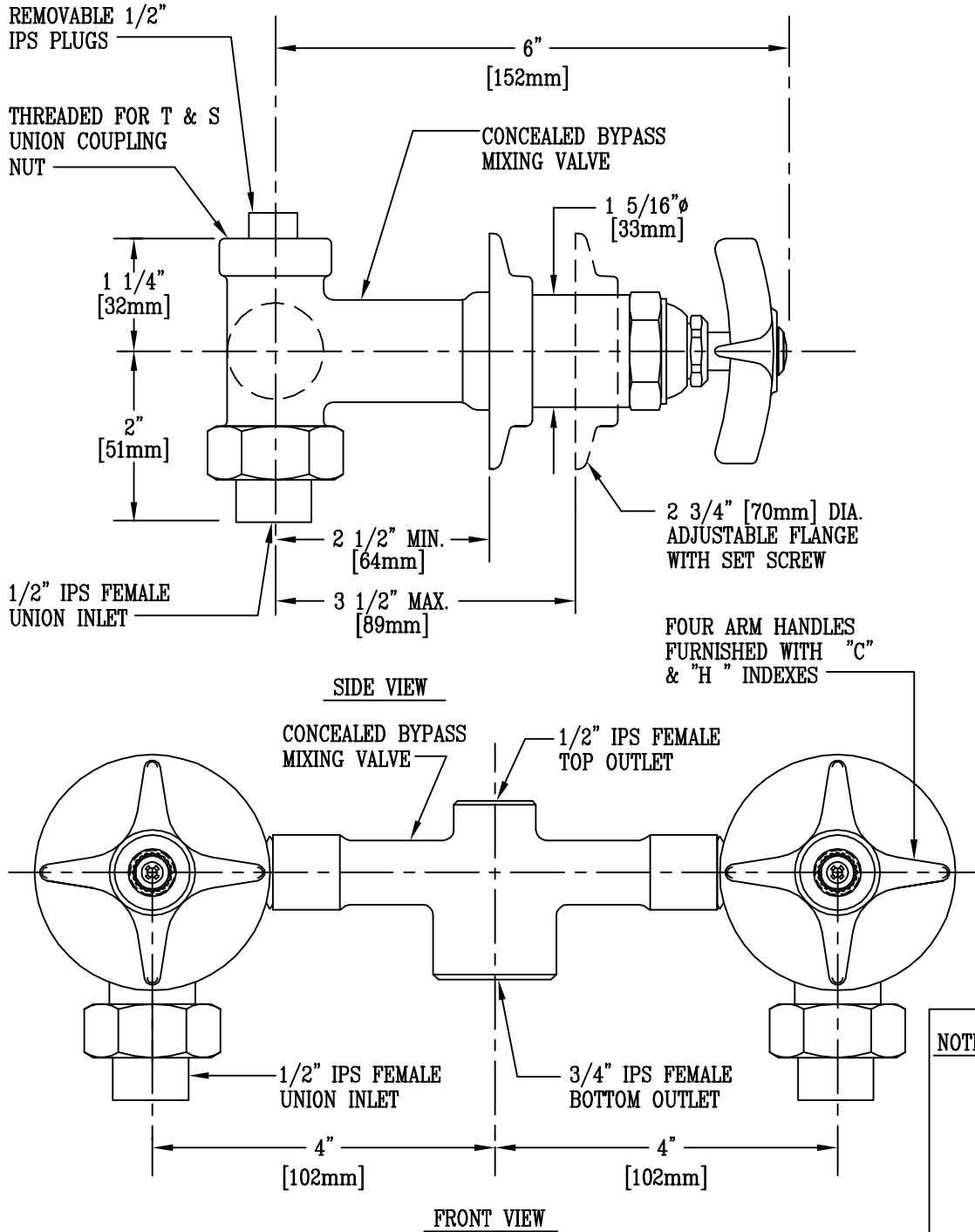
B-1050

Item No.:

Job Name:

Architect/Engineer Approval:

Notes:



ADA COMPLIANT

**NOTES :** SUPPLY MAY BE FROM ABOVE OR BELOW

VALVE ALSO AVAILABLE ON 6" C/C INLETS. SPECIFY.

Product Description:  
CONCEALED BYPASS MIXING VALVE WITH 1/2" NPT FEMALE INLETS, 3/4" NPT FEMALE BOTTOM OUTLET, 1/2" NPT FEMALE TOP OUTLET, & FOUR ARM HANDLES

Drawn:

WJS

Approved

CA

Checked

SCM

Scale:

6" = 1'

Date:

8/11/95