



T&S BRASS AND BRONZE WORKS, INC.

2 SADDLEBACK COVE / P.O. BOX 1088 / TRAVELERS REST, SC 29690

PHONE 800-476-4103

FAX 864-834-3518



REG.#A2601
ISO #9002

Model No.

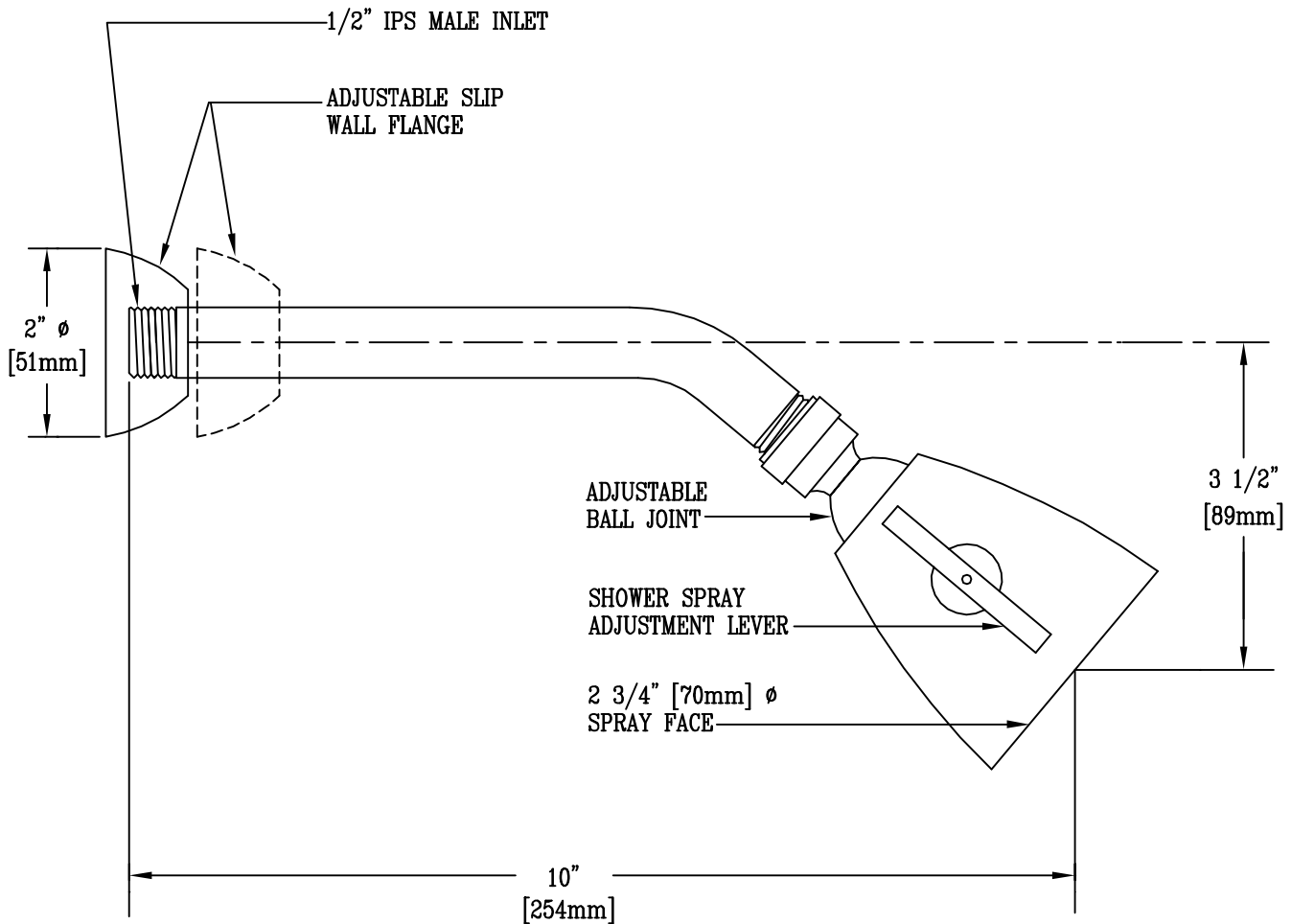
B-1091

Item No.:

Job Name:

Architect/Engineer Approval:

Notes:



Product Description:

SHOWER HEAD, ARM, & WALL FLANGE WITH
BALL JOINT HEAD, 1/2" NPT
MALE ARM, & ADJUSTABLE FLANGE

Drawn:

WJS.

Approved

CA

Checked

MWR

Scale:

6" = 1'

Date:

9/25/95