



T&S BRASS AND BRONZE WORKS, INC.

2 SADDLEBACK COVE / P.O. BOX 1088 / TRAVELERS REST, SC 29690

PHONE 800-476-4103

FAX 864-834-3518



REG.#A2601
ISO #9002

Model No.

B-1097

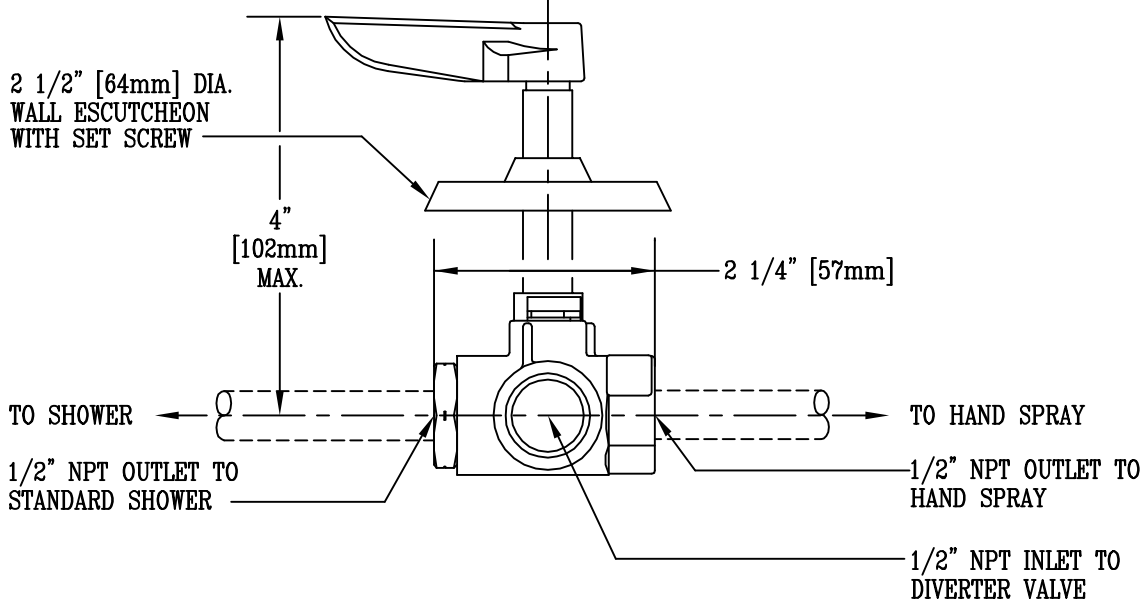
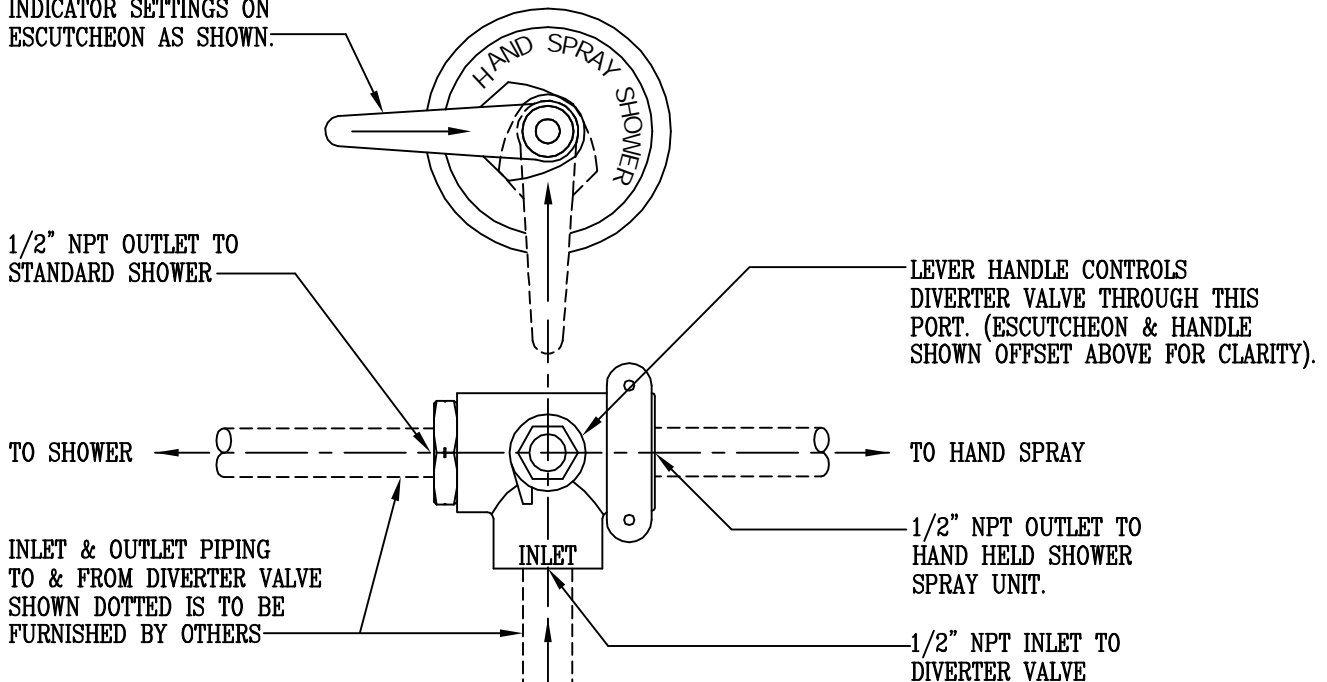
Item No.:

Job Name:

Architect/Engineer Approval:

Notes:

ROTATE LEVER HANDLE
1/4 TURN BETWEEN SHOWER
& HAND SPRAY SETTINGS.
HANDLE SHOULD POINT TO
INDICATOR SETTINGS ON
ESCUTCHEON AS SHOWN.



Product Description:
DIVERTER VALVE WITH 1/2" NPT FEMALE
INLET & OUTLET FOR SHOWERS
(NOT A SHUTOFF VALVE)

Drawn:

WJS

Checked:

MW

Scale:

1' = 1'

Approved

CA

Date:

10/17/95