



T&S BRASS AND BRONZE WORKS, INC.
 2 SADDLEBACK COVE / P.O. BOX 1088 / TRAVELERS REST, SC 29690
 PHONE 800-476-4103 - FAX 864- 834-3518



Model No.

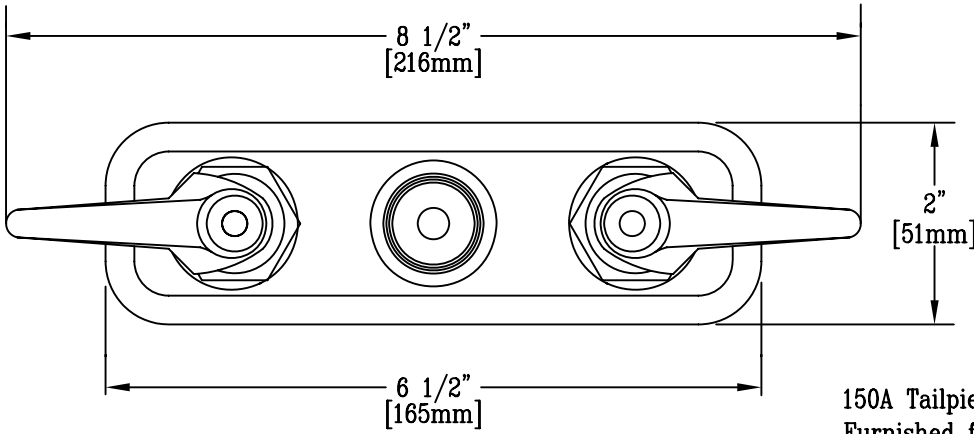
B-1103

**RELIABILITY
BUILT IN**

Job Name:

Architect/Engineer Approval:

Notes:

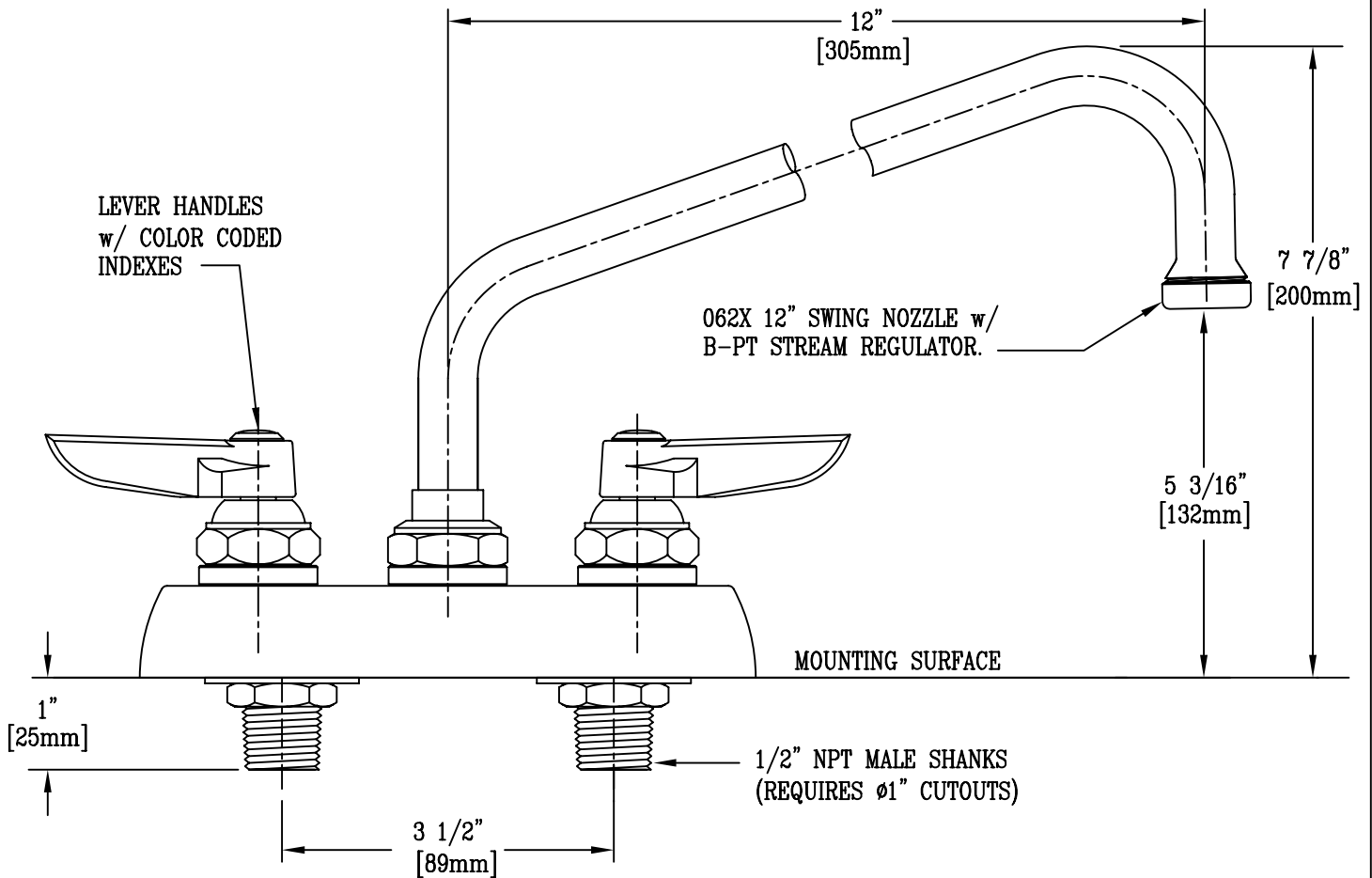
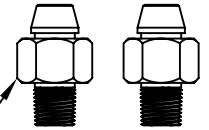


TOP VIEW



ADA Compliant

150A Tailpiece and Nut
Furnished for 1/4" NPT
Connection



MOUNTING SURFACE

1/2" NPT MALE SHANKS
(REQUIRES $\phi 1$ " CUTOUTS)

Product Description:
 WORKBOARD FAUCET WITH 1/2" NPT MALE SHANKS,
 3 1/2" INLET CENTERS, 062X 12" SWING NOZZLE,
 B-PT STREAM REGULATOR, LEVER HANDLES

Drawn:	Checked:	Scale:
KJG	JRM	1 : 2
Approved:	Date:	
JHB	12/19/070	