

T&S BRASS AND BRONZE WORKS, INC.
 2 SADDLEBACK COVE / P.O. BOX 1088 / TRAVELERS REST, SC 29690
 PHONE 800-476-4103 - FAX 864- 834-3518



Model No.

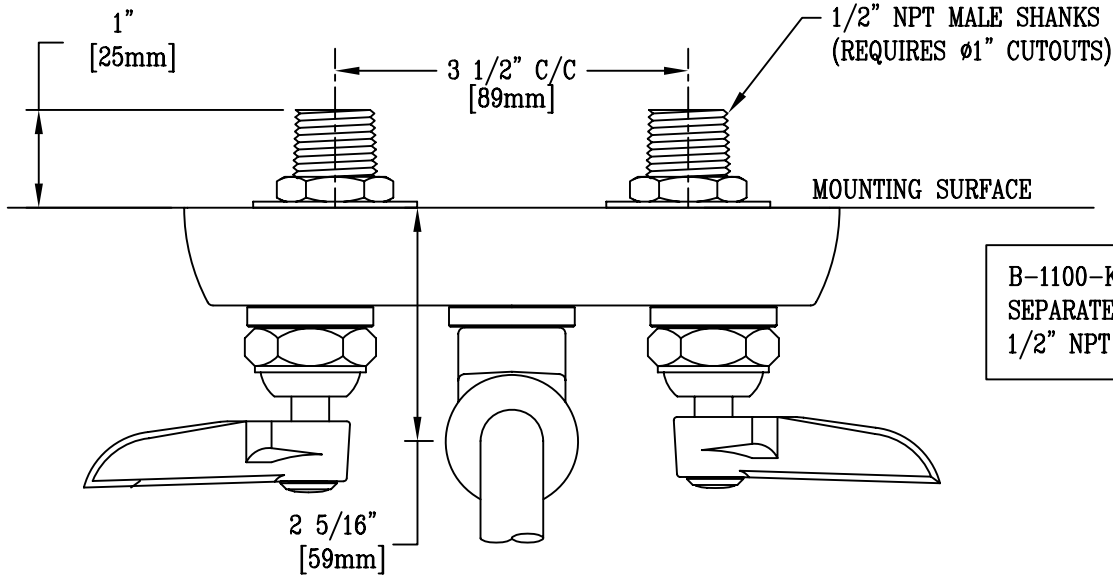
B-1105

**RELIABILITY
 BUILT IN**

Job Name:

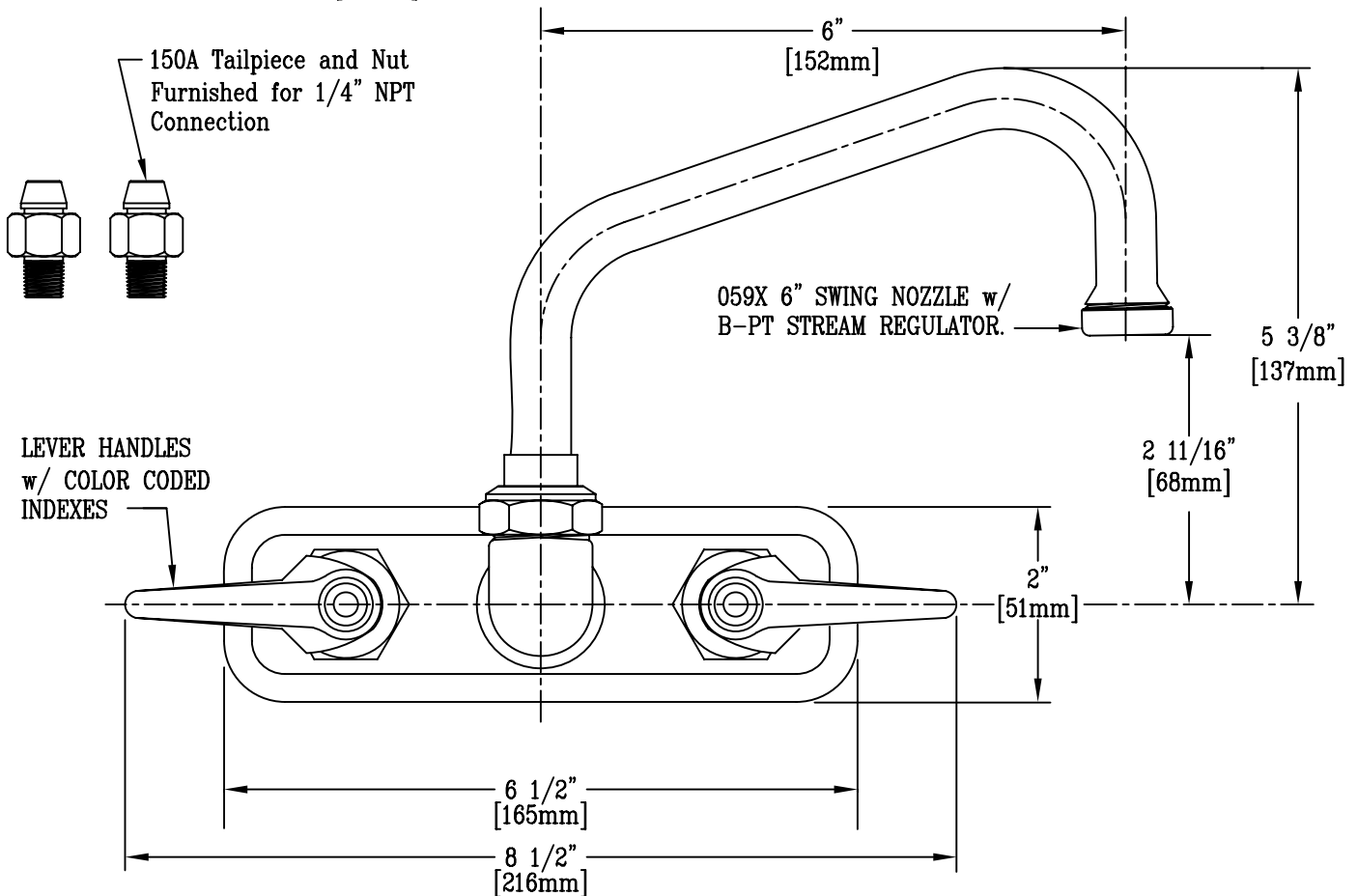
Architect/Engineer Approval:

Notes:



ADA Compliant

B-1100-K ELBOW KIT SOLD SEPARATELY. CONTAINS (2) 1/2" NPT MALE 90° ELBOWS



Product Description:
 WALL MOUNT WORKBOARD FAUCET w/ 1/2" NPT MALE SHANKS, 3 1/2" CENTERS, 059X 6" SWING NOZZLE, B-PT STREAM REGULATOR & LEVER HANDLES

Drawn: KJG	Checked JRM	Scale: 1 : 2
Approved JHB	Date: 12/19/07	