



T&S BRASS AND BRONZE WORKS, INC.
 2 SADDLEBACK COVE / P.O. BOX 1088 / TRAVELERS REST, SC 29690
 PHONE 800-476-4103 - FAX 864- 834-3518



Model No.

B-1127

**RELIABILITY
BUILT IN**

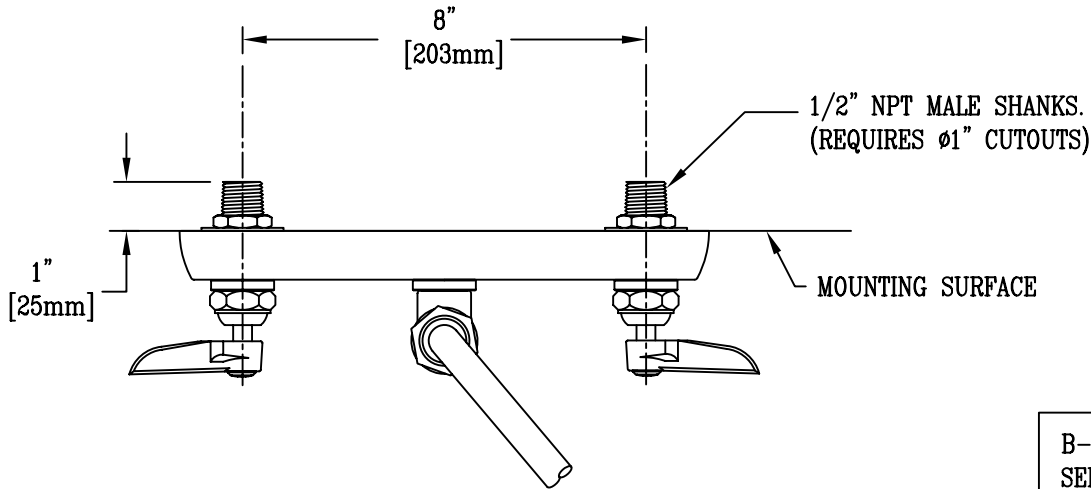
Job Name:

Architect/Engineer Approval:

Notes:

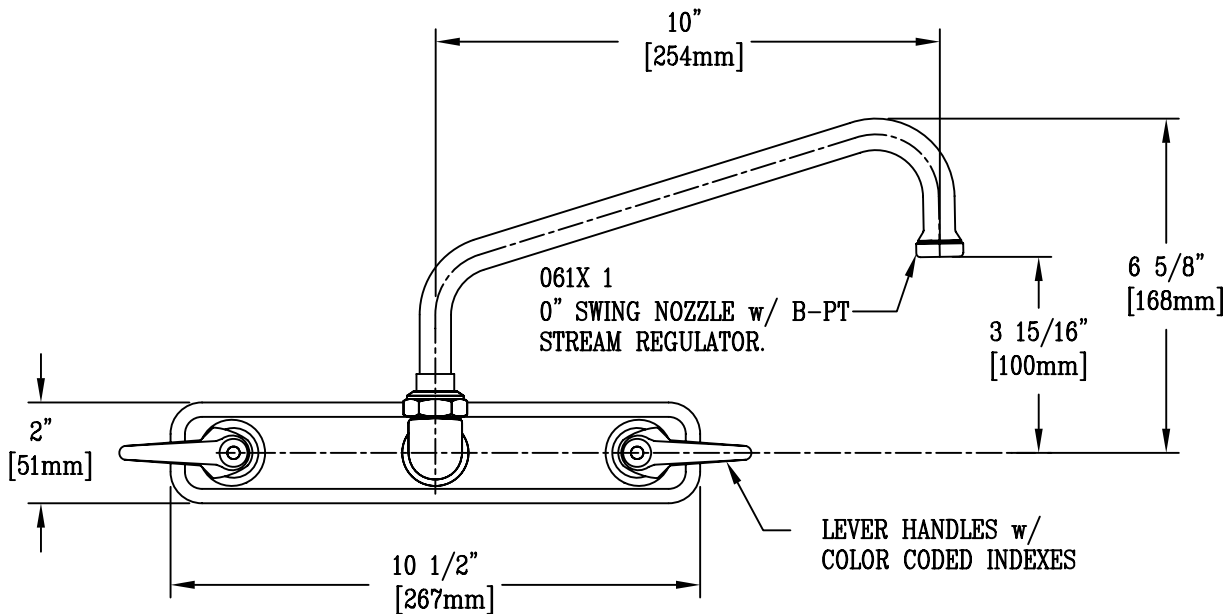


ADA Compliant

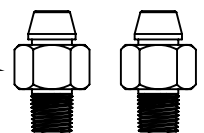


TOP VIEW

B-1100-K ELBOW KIT SOLD SEPARATELY. CONTAINS (2) 1/2" NPT MALE 90° ELBOWS



FRONT VIEW



Product Description:
 WALL MOUNT WORKBOARD FAUCET w/ 1/2" NPT MALE SHANKS, 8" INLET CENTERS, 061X 10" SWING NOZZLE, B-PT STREAM REGULATOR & LEVER HANDLES

| | | |
|-----------------|-------------------|-----------------|
| Drawn: KJG | Checked JRM | Scale: 1 : 4 |
| Approved JHB | Date: 12-19-07 | |