

T&S BRASS AND BRONZE WORKS, INC.
 2 SADDLEBACK COVE / P.O. BOX 1088 / TRAVELERS REST, SC 29690
 PHONE 800-476-4103 - FAX 864- 834-3518



Model No.

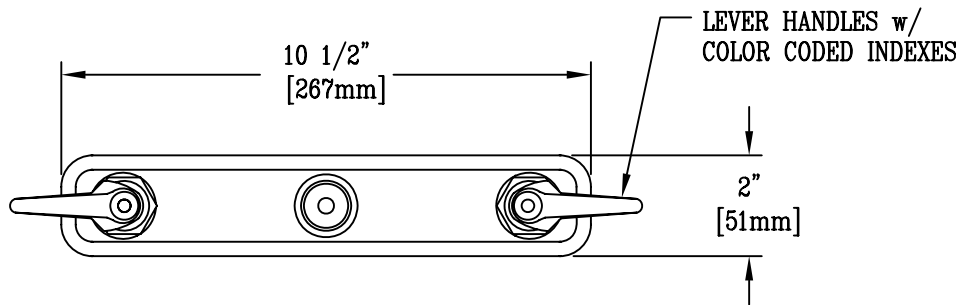
B-1132

**RELIABILITY
BUILT IN**

Job Name:

Architect/Engineer Approval:

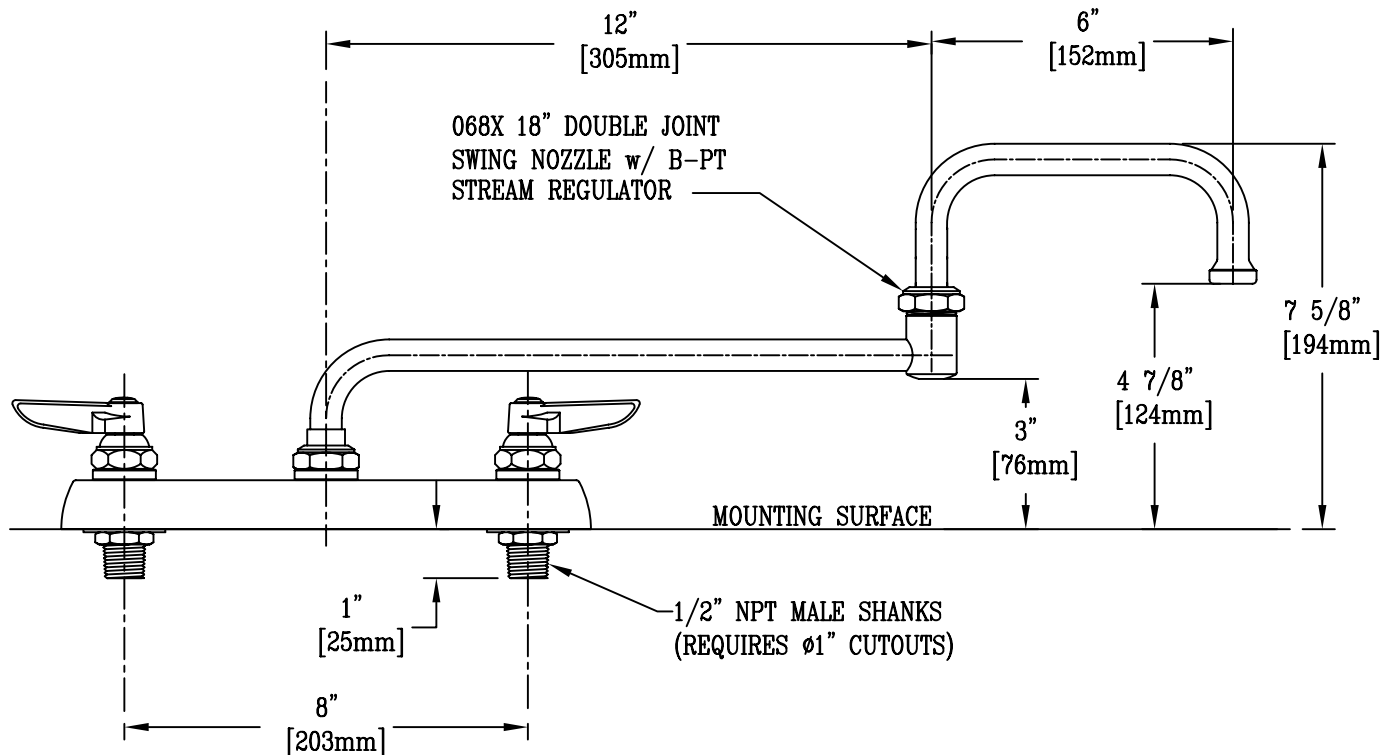
Notes:



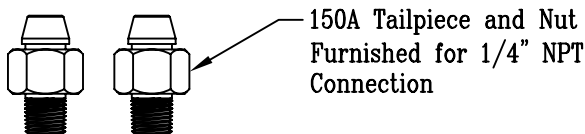
TOP VIEW



ADA Compliant



FRONT VIEW



Product Description:
 WORKBOARD FAUCET WITH 1/2" NPT MALE SHANKS,
 8" INLET CENTERS, 068X 18" DOUBLE JOINT
 SWING NOZZLE, B-PT STREAM REGULATOR & LEVER HANDLES

Drawn:

KJG

Checked

JRM

Scale:

1 : 4

Approved

JHB

Date:

12/19/07