



T&S BRASS AND BRONZE WORKS, INC.

2 Saddleback Cove / P.O. Box 1088
Travelers Rest, SC 29690



REG. #A2601
ISO #9001

Model No.

B-1146-04

Item No.

Travelers Rest, SC: 800-476-4103 Simi Valley, CA: 800-423-0150 Fax: 864-834-3518 www.tsbrass.com

This Space for Architect/Engineer Approval

Job Name _____ Date _____

Model Specified _____ Quantity _____

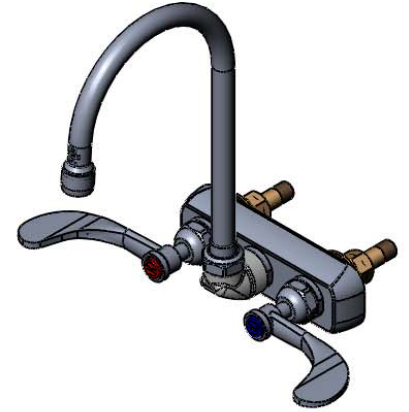
Customer/Wholesaler _____

Contractor _____

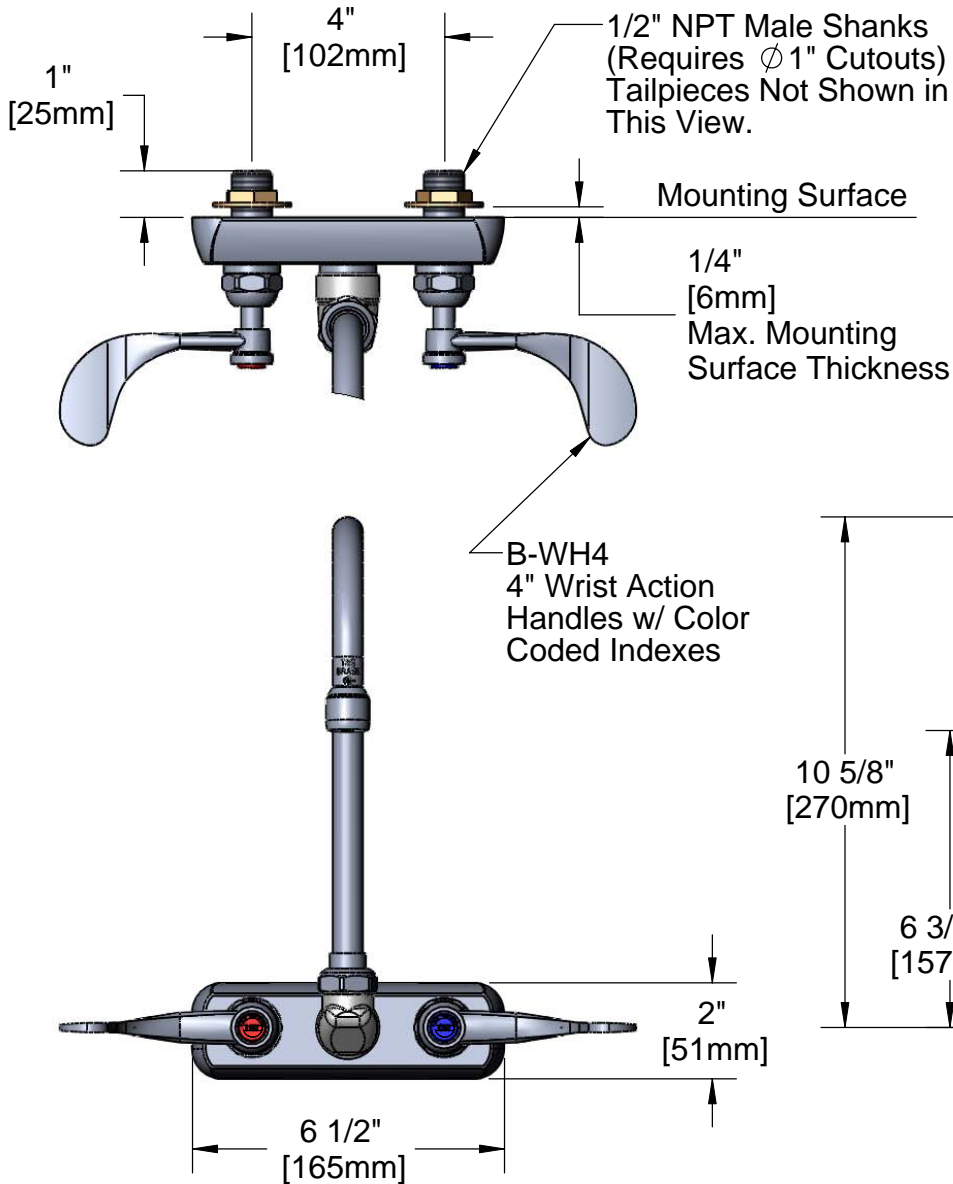
Architect/Engineer _____



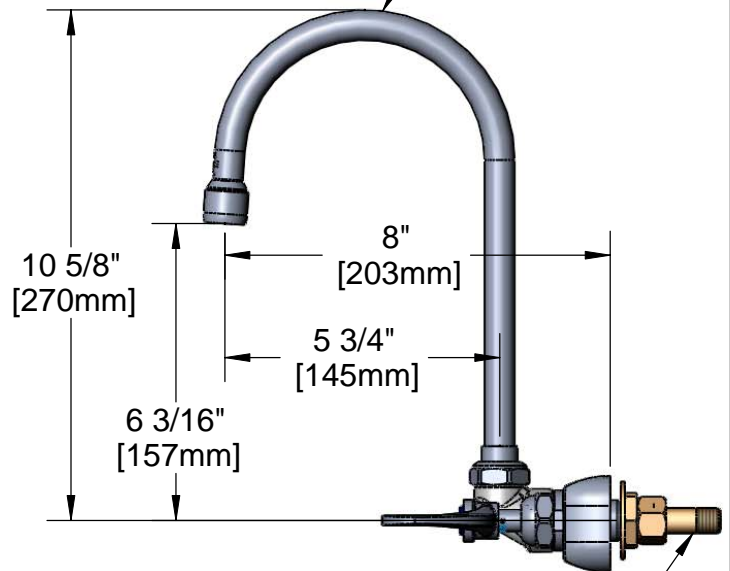
ADA Compliant



B-1100-K Elbow Kit Sold Separately. Contains (2) 1/2" NPT Male 90° Elbows.



133X-AER Swivel Gooseneck w/ B-0199-01 Aerator 2.2 GPM



150A Tailpiece and Nut Furnished for 1/4" NPT Connection

Product Specifications:

Wall Mount Workboard Faucet w/ 1/2" NPT Male Shanks, 133X-AER Swivel Gooseneck w/ B-0199-01 Aerator, B-WH4 Wrist Action Handles & 4" Inlet Centers

Drawn KJG	Checked DHL	Approved JHB
Scale: 1:4		Date: 08/13/08



T&S BRASS AND BRONZE WORKS, INC.

2 Saddleback Cove / P.O. Box 1088
Travelers Rest, SC 29690



REG. #A2601
ISO #9001

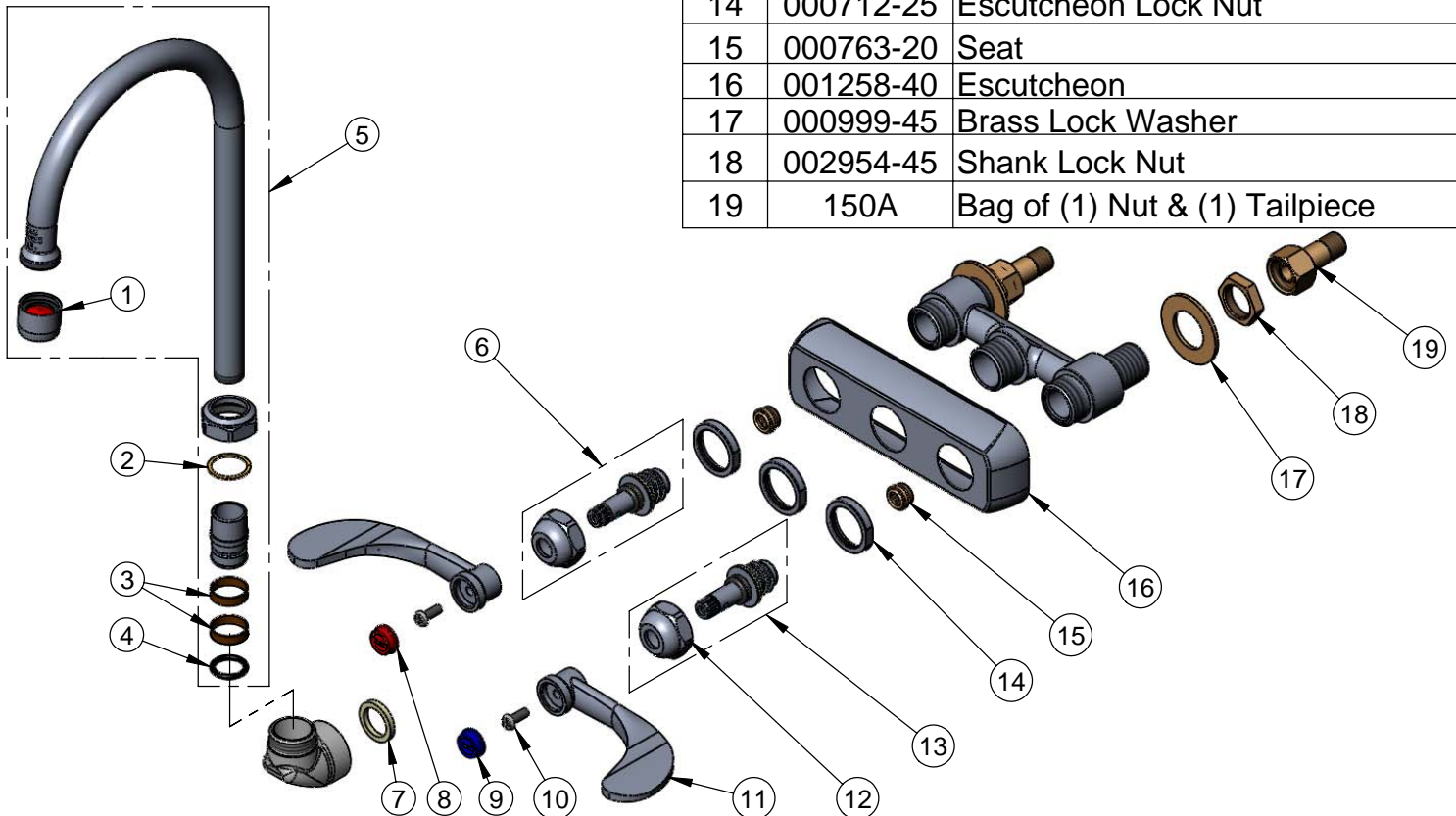
Model No.

B-1146-04

Item No.

Travelers Rest, SC: 800-476-4103 Simi Valley, CA: 800-423-0150 Fax: 864-834-3518 www.tsbrass.com

ITEM NO.	SALES NO.	DESCRIPTION
1	B-0199-01	2.2 GPM Aerator, Female
2	009538-45	Swivel Washer
3	011429-45	Swivel Sleeve (2)
4	001074-45	O-Ring
5	133X-AER	133X Swivel Goosneck w/ Aerator
6	009423-40	Spindle Asm, RH, Hot
7	001017-45	Washer
8	001194-45	Red HW Index
9	001686-45	Blue CW Index
10	000925-45	Lab Handle Screw
11	B-WH4	4" Wrist Action Handle
12	009749-25	Bonnet Nut
13	009424-40	Spindle Asm, LH, Cold
14	000712-25	Escutcheon Lock Nut
15	000763-20	Seat
16	001258-40	Escutcheon
17	000999-45	Brass Lock Washer
18	002954-45	Shank Lock Nut
19	150A	Bag of (1) Nut & (1) Tailpiece



Product Specifications:

Wall Mount Workboard Faucet w/ 1/2" NPT Male Shanks, 133X-AER Swivel Goosneck w/ B-0199-01 Aerator, B-WH4 Wrist Action Handles & 4" Inlet Centers

Drawn KJG	Checked DHL	Approved JHB
Scale: NTS		Date: 08/13/08