



T&S BRASS AND BRONZE WORKS, INC.

2 Saddleback Cove / P.O. Box 1088
Travelers Rest, SC 29690



REG. #A2601
ISO #9001

Model No.
B-1202

Item No.

Travelers Rest, SC: 800-476-4103 Simi Valley, CA: 800-423-0150 Fax: 864-834-3518 www.tsbrass.com

This Space for Architect/Engineer Approval

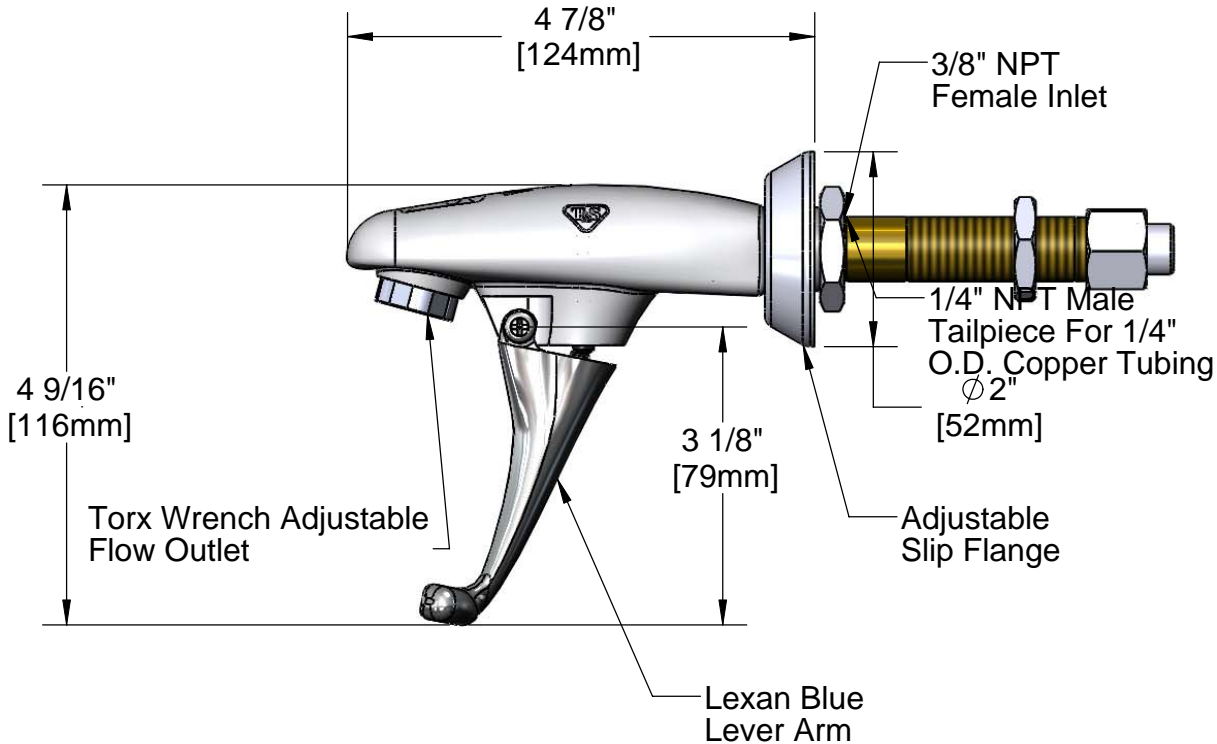
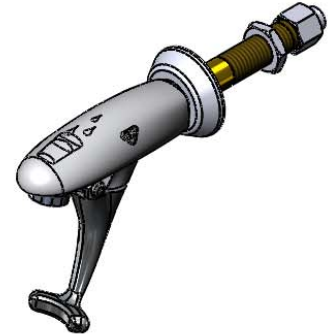
Job Name _____ Date _____

Model Specified _____ Quantity _____

Customer/Wholesaler _____

Contractor _____

Architect/Engineer _____



Note:
Nipple Shown Allows B-1202 Glass Filler To Be Fitted To A 2-1/4" [57mm] Max. Thick Cabinet. Also Available with Longer Nipple to Fit 4-1/4" [106mm] Thick Cabinet If Specified.

Product Specifications:

Wall Mount Glass Filler With Adjustable Slip Flange, 3/8" NPT Female Inlet With Extended Nipple, Blue Self-Closing Lexan Arm

Drawn JRM	Checked DMH	Approved JHB
Scale: 1:2		Date: 12/19/08



T&S BRASS AND BRONZE WORKS, INC.

2 Saddleback Cove / P.O. Box 1088
Travelers Rest, SC 29690



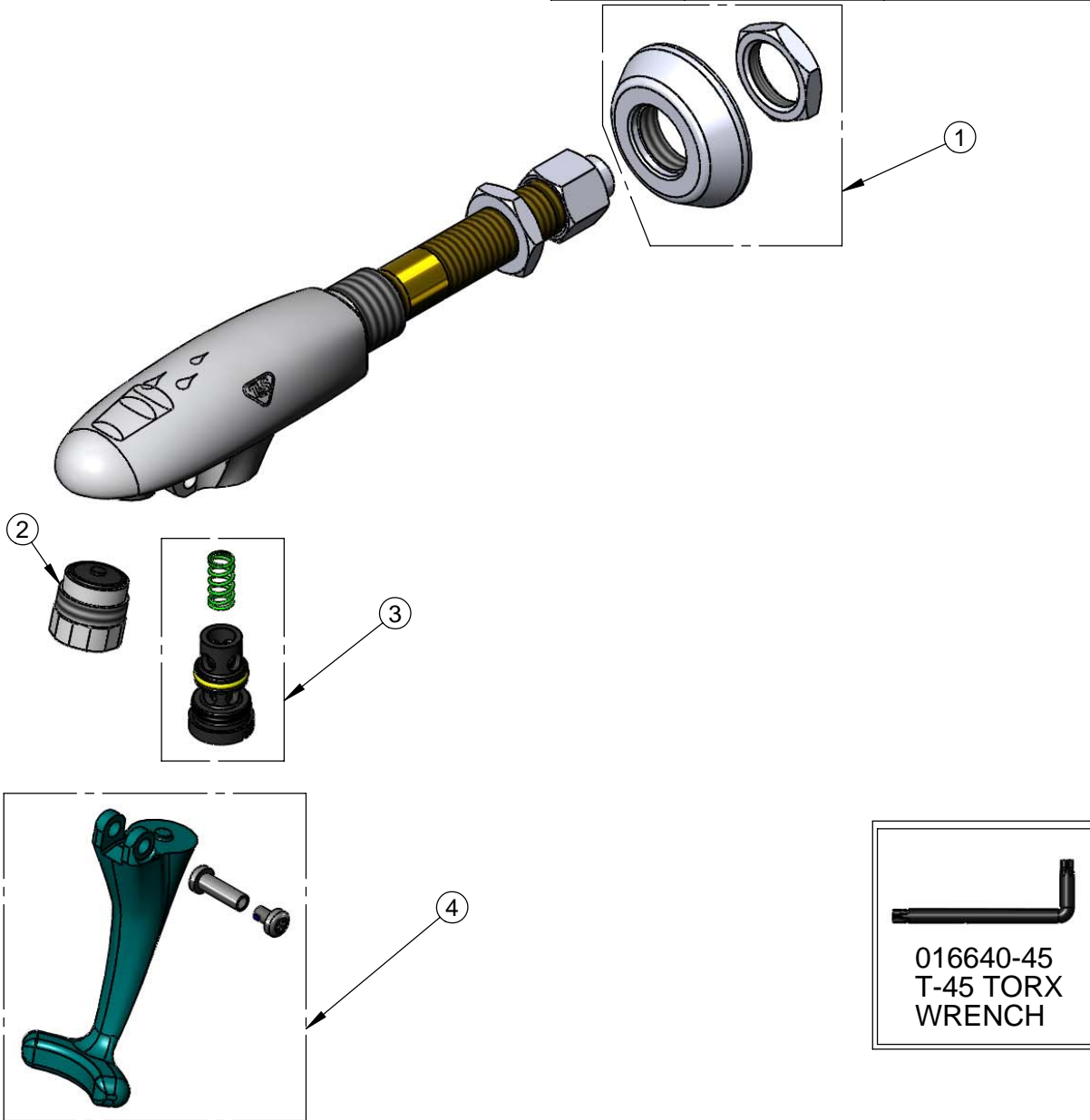
REG. #A2601
ISO #9001

Model No.
B-1202

Item No.

Travelers Rest, SC: 800-476-4103 Simi Valley, CA: 800-423-0150 Fax: 864-834-3518 www.tsbrass.com

ITEM NO.	SALES NO.	DESCRIPTION
1	016782-40	Adjustable Wall Flange Repair Kit
2	015588-40	Adjustable Outlet w/Torx Wrench
3	015589-40	Valve Assembly
4	015550-45	Lever Arm Repair Kit



Product Specifications:

Wall Mount Glass Filler With Adjustable Slip Flange, 3/8" NPT Female Inlet With Extended Nipple, Blue Self-Closing Lexan Arm

Drawn JRM	Checked DMH	Approved JHB
Scale: 1:2		Date: 12/19/08