



T&S BRASS AND BRONZE WORKS, INC.

2 Saddleback Cove / P.O. Box 1088
Travelers Rest, SC 29690



REG. #A2601
ISO #9001

Model No.

B-1211

Item No.

Travelers Rest, SC: 800-476-4103 Simi Valley, CA: 800-423-0150 Fax: 864-834-3518 www.tsbrass.com

This Space for Architect/Engineer Approval

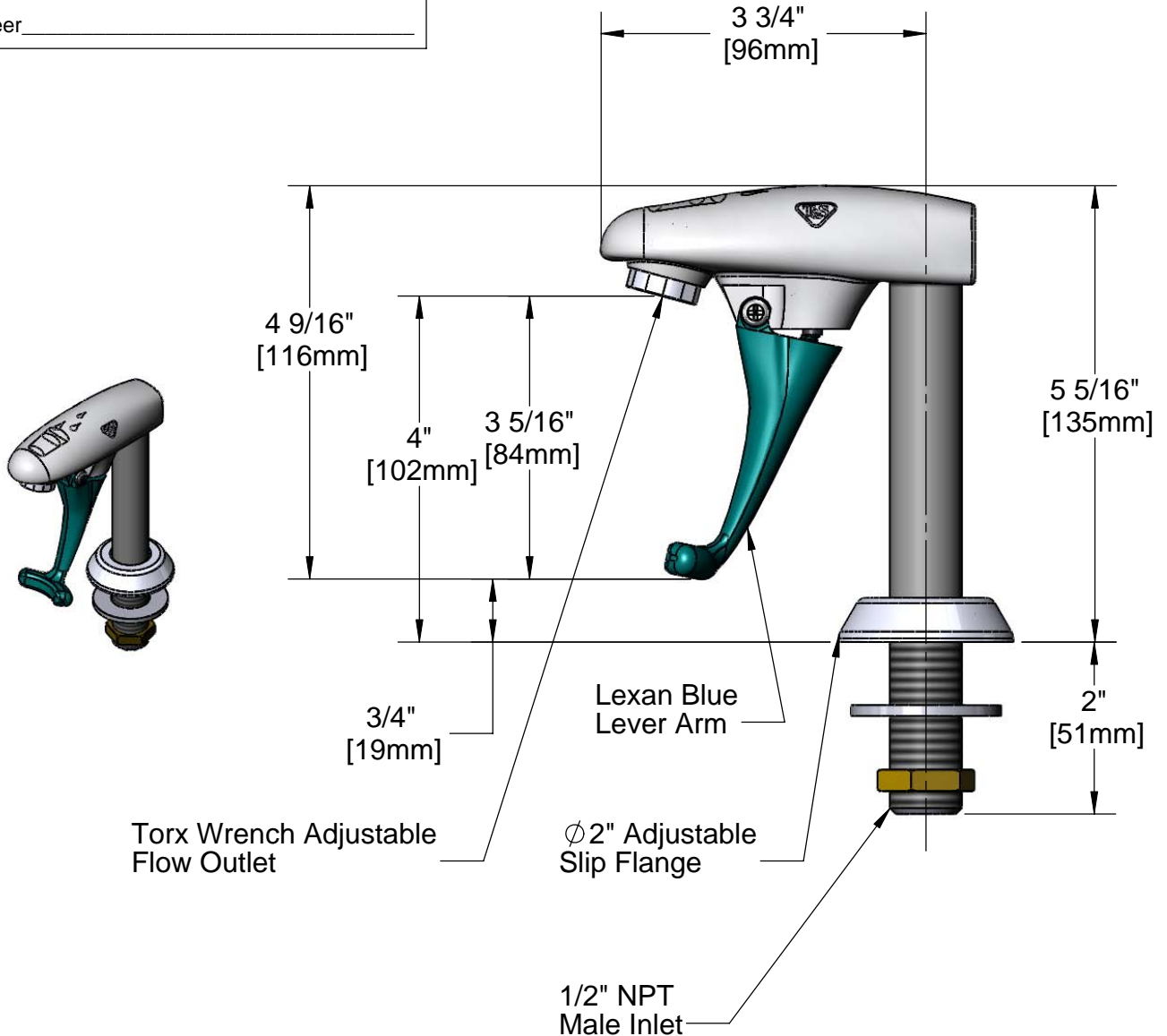
Job Name _____ Date _____

Model Specified _____ Quantity _____

Customer/Wholesaler _____

Contractor _____

Architect/Engineer _____



Note: Rough-in Requirements
Hole: 1" [25mm] Diameter

Product Specifications:

4" Pedestal Type Glass Filler, Push Back Design, 1/2" NPT Male Shank, Adjustable Flange, Blue Self-Closing Lexan Arm

Drawn JRM	Checked GEF	Approved JHB
Scale: 1:2		Date: 10/21/09



T&S BRASS AND BRONZE WORKS, INC.

2 Saddleback Cove / P.O. Box 1088
Travelers Rest, SC 29690



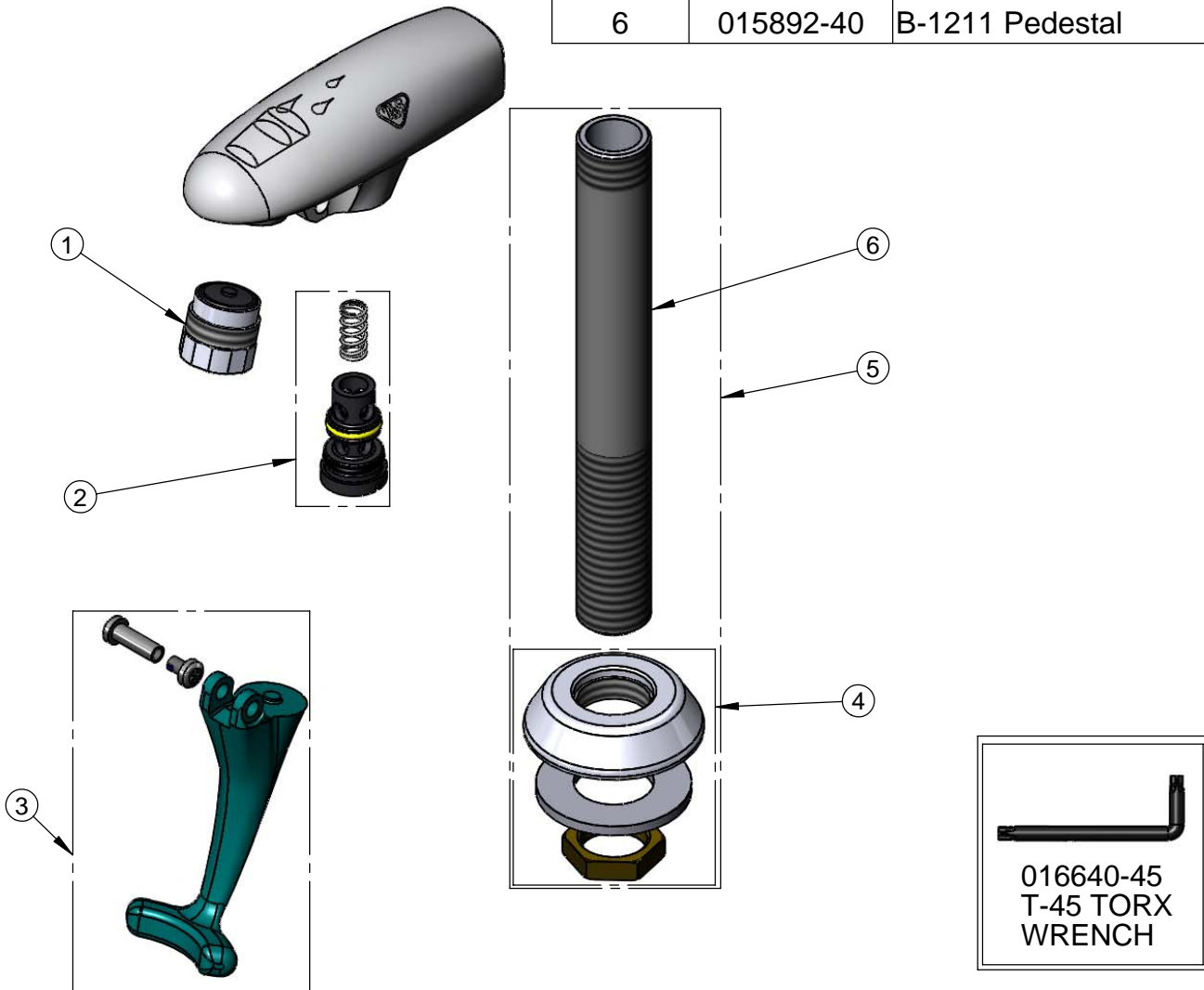
REG. #A2601
ISO #9001

Model No.
B-1211

Item No.

Travelers Rest, SC: 800-476-4103 Simi Valley, CA: 800-423-0150 Fax: 864-834-3518 www.tsbrass.com

ITEM NO.	SALES NO.	DESCRIPTION
1	015588-40	Adjustable Outlet w/ Torx Wrench
2	015589-40	Valve Assembly
3	015550-45	Lever Arm Repair Kit
4	016783-40	Adjustable Deck Flange Repair Kit
5	015893-40	Pedestal Assembly
6	015892-40	B-1211 Pedestal



Product Specifications:

4" Pedestal Type Glass Filler, Push Back Design, 1/2" NPT Male Shank, Adjustable Flange, Blue Self-Closing Lexan Arm

Drawn JRM	Checked GEF	Approved JHB
Scale: 1:2		Date: 10/21/09