



T&S BRASS AND BRONZE WORKS, INC.

2 Saddleback Cove / P.O. Box 1088
Travelers Rest, SC 29690



REG. #A2601
ISO #9001

Model No.
B-1225

Item No.

Travelers Rest, SC: 800-476-4103 Simi Valley, CA: 800-423-0150 Fax: 864-834-3518 www.tsbrass.com

This Space for Architect/Engineer Approval

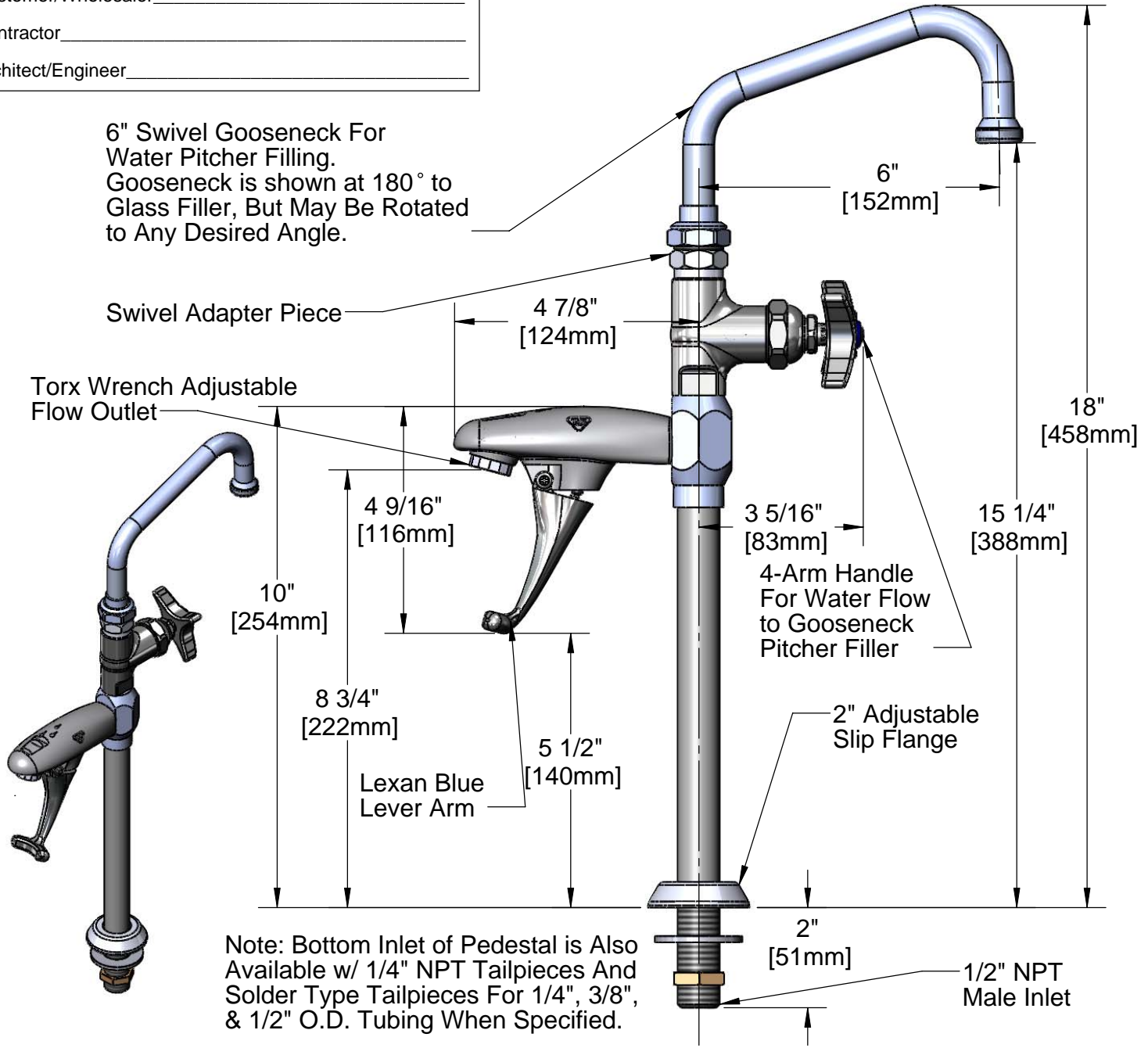
Job Name _____ Date _____

Model Specified _____ Quantity _____

Customer/Wholesaler _____

Contractor _____

Architect/Engineer _____



Note: Bottom Inlet of Pedestal is Also Available w/ 1/4" NPT Tailpieces And Solder Type Tailpieces For 1/4", 3/8", & 1/2" O.D. Tubing When Specified.

Product Specifications:

Combination Glass & Pitcher Filler, Push Back Design For Glass, 6" Swing Nozzle For Pitcher, Independent Operation, 1/2" NPT Male Shank

Drawn JRM	Checked KJG	Approved JHB
Scale: 1:3		Date: 12/04/09



T&S BRASS AND BRONZE WORKS, INC.

2 Saddleback Cove / P.O. Box 1088
Travelers Rest, SC 29690

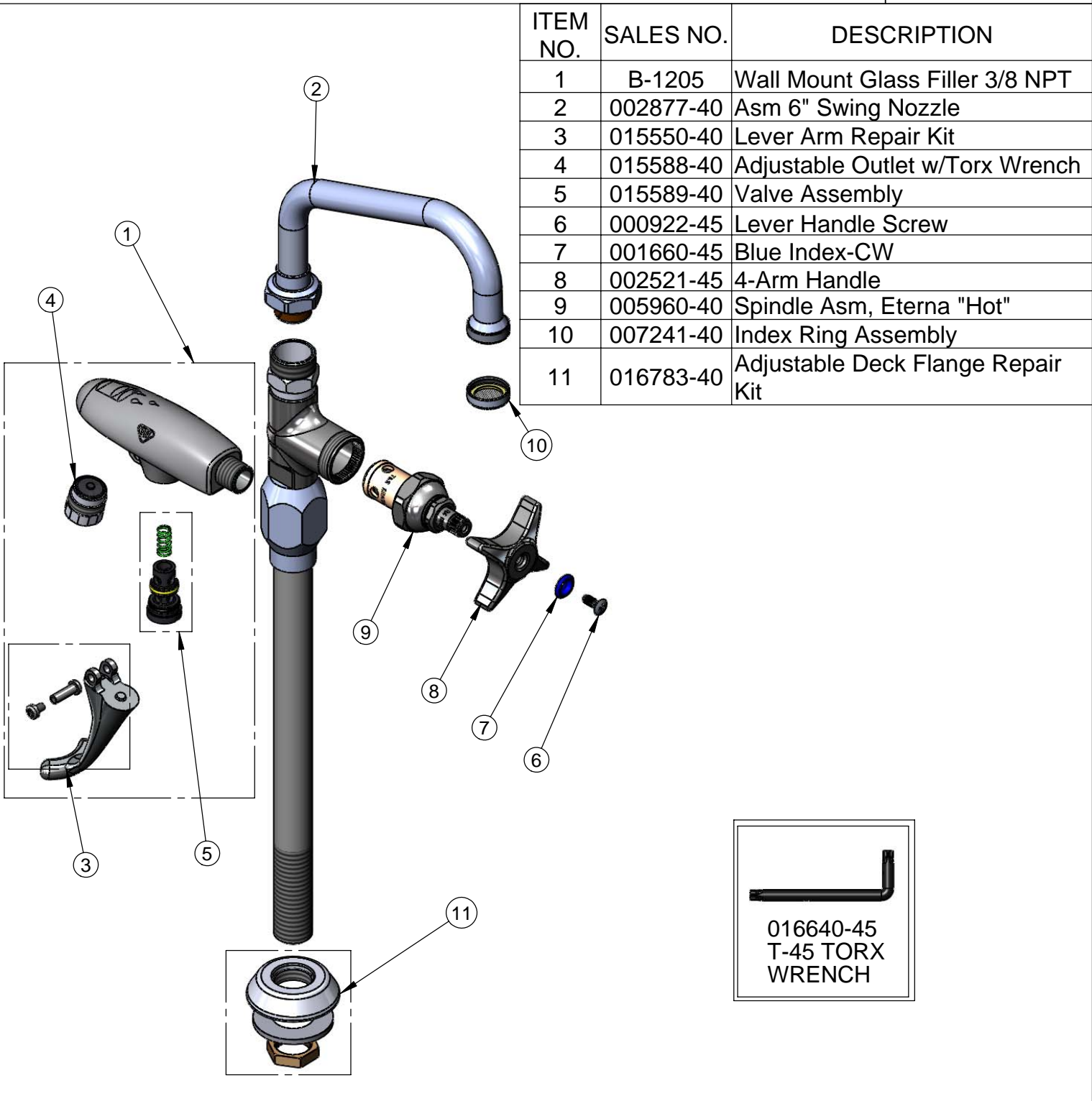


REG. #A2601
ISO #9001

Model No.
B-1225

Item No.

Travelers Rest, SC: 800-476-4103 Simi Valley, CA: 800-423-0150 Fax: 864-834-3518 www.tsbrass.com



ITEM NO.	SALES NO.	DESCRIPTION
1	B-1205	Wall Mount Glass Filler 3/8 NPT
2	002877-40	Asm 6" Swing Nozzle
3	015550-40	Lever Arm Repair Kit
4	015588-40	Adjustable Outlet w/Torx Wrench
5	015589-40	Valve Assembly
6	000922-45	Lever Handle Screw
7	001660-45	Blue Index-CW
8	002521-45	4-Arm Handle
9	005960-40	Spindle Asm, Eterna "Hot"
10	007241-40	Index Ring Assembly
11	016783-40	Adjustable Deck Flange Repair Kit



Product Specifications: Combination Glass & Pitcher Filler, Push Back Design For Glass, 6" Swing Nozzle For Pitcher, Independent Operation, 1/2" NPT Male Shank	Drawn	Checked	Approved
	JRM	KJG	JHB
	Scale:	Date:	
	1:3	12/04/09	