



T&S BRASS AND BRONZE WORKS, INC.

2 Saddleback Cove / P.O. Box 1088
Travelers Rest, SC 29690



REG. #A2601
ISO #9001

Model No.
B-2360

Item No.

Travelers Rest, SC: 800-476-4103 Simi Valley, CA: 800-423-0150 Fax: 864-834-3518 www.tsbrass.com

This Space for Architect/Engineer Approval

Job Name _____ Date _____

Model Specified _____ Quantity _____

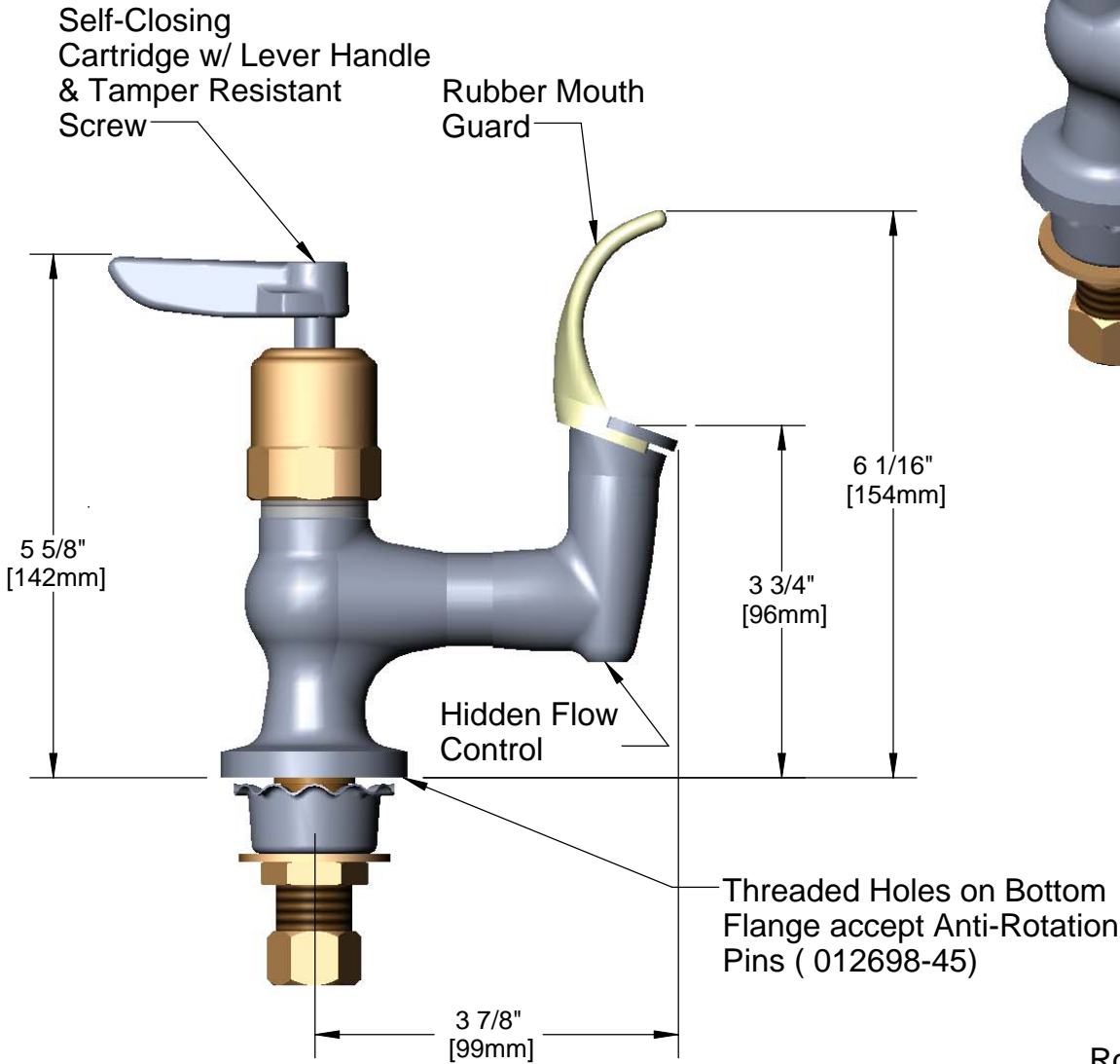
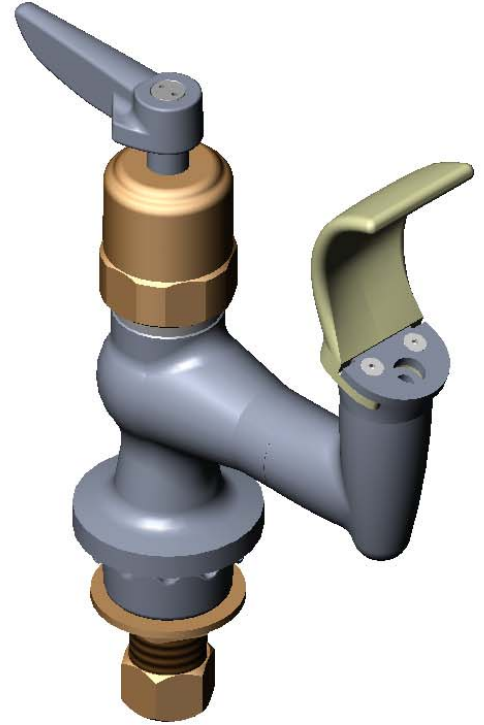
Customer/Wholesaler _____

Contractor _____

Architect/Engineer _____



ADA Compliant



Rough-In: Ø 1" Hole

Product Specifications:
Bubbler w/ Rubber Mouth Guard

Drawn DHL	Checked DMH	Approved JHB
Scale: 1:2		Date: 11/24/08



T&S BRASS AND BRONZE WORKS, INC.

2 Saddleback Cove / P.O. Box 1088
Travelers Rest, SC 29690

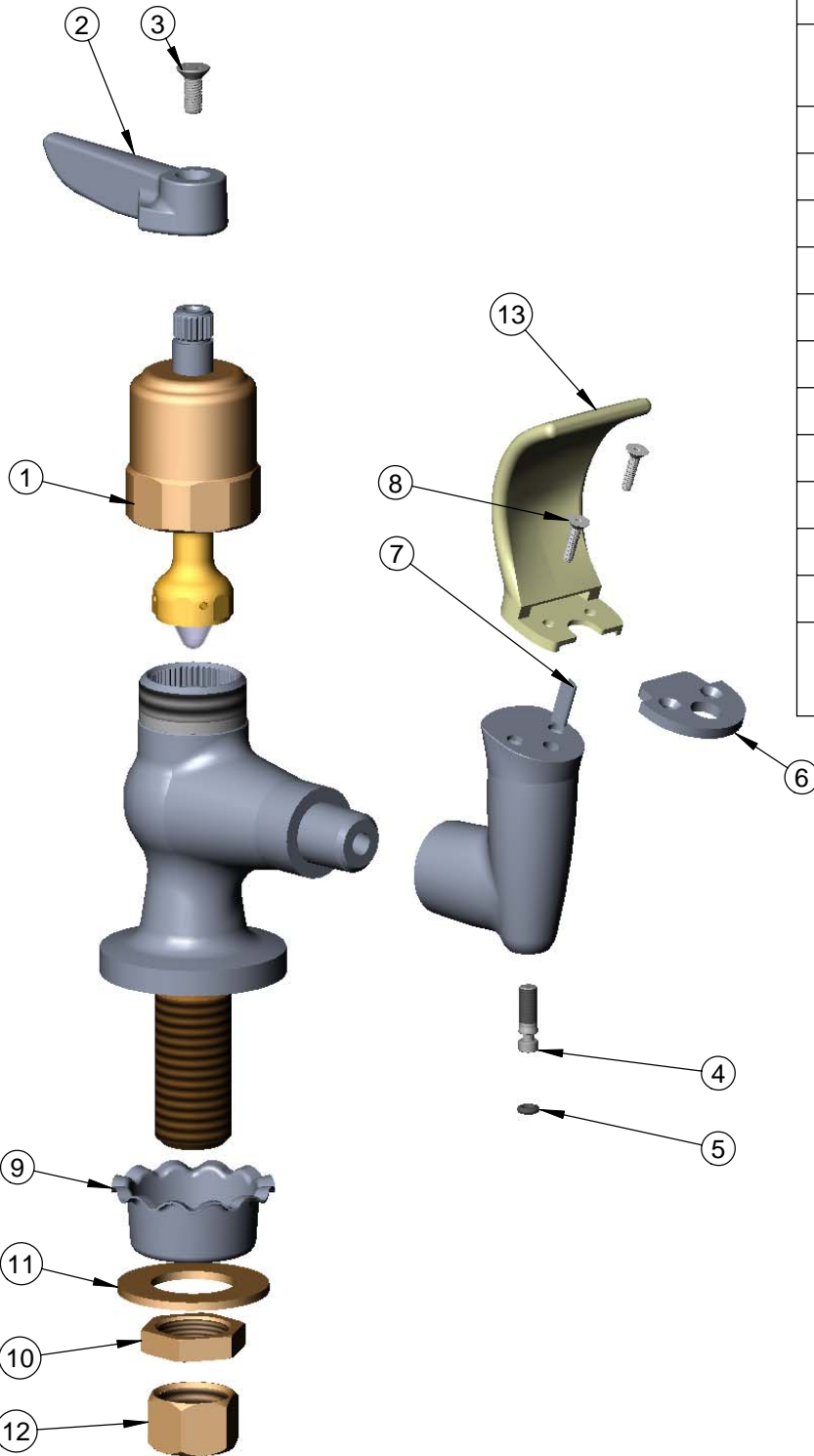


REG. #A2601
ISO #9001

Model No.
B-2360

Item No.

Travelers Rest, SC: 800-476-4103 Simi Valley, CA: 800-423-0150 Fax: 864-834-3518 www.tsbrass.com



ITEM	PART NO.	DESCRIPTION
1	015317-40	Fast Close Cartridge
2	001638-45	Lever Handle
3	011755-45	VR Screw
4	015318-45	Flow Control Screw
5	015319-45	O-Ring
6	009596-40	Mouth Guard Holder
7	009594-45	Flow Straightener
8	009598-45	Mouth Guard Screw
9	001000-45	Rosette Washer
10	002954-45	Shank Lock Nut
11	000999-45	Brass Lock Washer
12	000958-20	Coupling Nut
13	009595-45	Rubber Mouth Guard

Product Specifications:

Bubbler w/ Rubber Mouth Guard

Drawn DHL	Checked DMH	Approved JHB
Scale: 1:2		Date: 11/24/08