



T&S BRASS AND BRONZE WORKS, INC.

2 Saddleback Cove / P.O. Box 1088
Travelers Rest, SC 29690



REG. #A2601
ISO #9001

Model No.
B-2360-01

Item No.

Travelers Rest, SC: 800-476-4103 Simi Valley, CA: 800-423-0150 Fax: 864-834-3518 www.tsbrass.com

This Space for Architect/Engineer Approval

Job Name _____ Date _____

Model Specified _____ Quantity _____

Customer/Wholesaler _____

Contractor _____

Architect/Engineer _____



ADA Compliant



Furnished w/ Spanner Bit for Access to Metering Adjustment (Metering Adjustment Requires 3/32" Hex Key)

Push Button Metering Cartridge

Rubber Mouth Guard

5" [127mm]

6 1/16" [154mm]

3 3/4" [96mm]

Threaded Holes on Bottom Flange accept Anti-Rotation pins (012698-45)

Hidden Flow Control

3 7/8" [99mm]

Rough-In: 1"Ø Hole

Product Specifications:

Bubbler w/ Rubber Mouth Guard with Push Button Metering Cartridge

Drawn DMH	Checked GEF	Approved JHB
Scale: 1:2		Date: 10/03/08



T&S BRASS AND BRONZE WORKS, INC.

2 Saddleback Cove / P.O. Box 1088
Travelers Rest, SC 29690

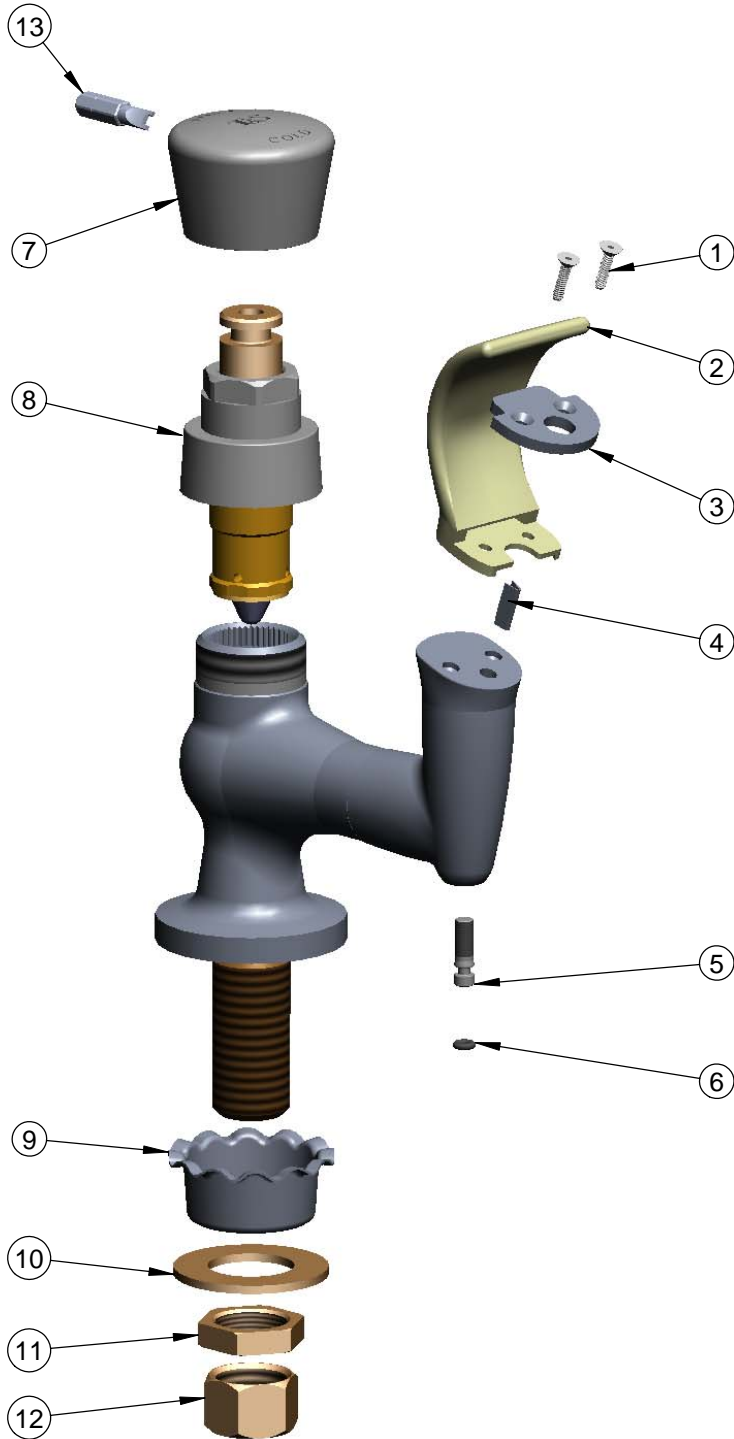


REG. #A2601
ISO #9001

Model No.
B-2360-01

Item No.

Travelers Rest, SC: 800-476-4103 Simi Valley, CA: 800-423-0150 Fax: 864-834-3518 www.tsbrass.com



ITEM NO.	SALES NO.	DESCRIPTION
1	009598-45	Mouth Guard Screw
2	009595-45	Rubber Mouth Guard
3	009596-40	Mouth Guard Holder
4	009594-45	Flow Straightener
5	015318-45	Flow Control Screw
6	015319-45	O-Ring
7	014195-40	Cold Cap Assembly
8	238A	Push Button Metering Ctg.
9	001000-45	Rosette Washer
10	000999-45	Brass Lock Washer
11	002954-45	Shank Lock Nut
12	000958-20	Coupling Nut
13	014734-45	#8 Spanner Bit

Product Specifications:

**Bubbler w/ Rubber Mouth Guard
with Push Button Metering Cartridge**

Drawn DMH	Checked GEF	Approved JHB
Scale: 1:2		Date: 10/03/08