



T&S BRASS AND BRONZE WORKS, INC.

2 Saddleback Cove / P.O. Box 1088
Travelers Rest, SC 29690



REG. #A2601
ISO #9001

Model No.

B-TEE-EZK

Item No.

Travelers Rest, SC: 800-476-4103 Simi Valley, CA: 800-423-0150 Fax: 864-834-3518 www.tsbrass.com

This Space for Architect/Engineer Approval

Job Name _____ Date _____

Model Specified _____ Quantity _____

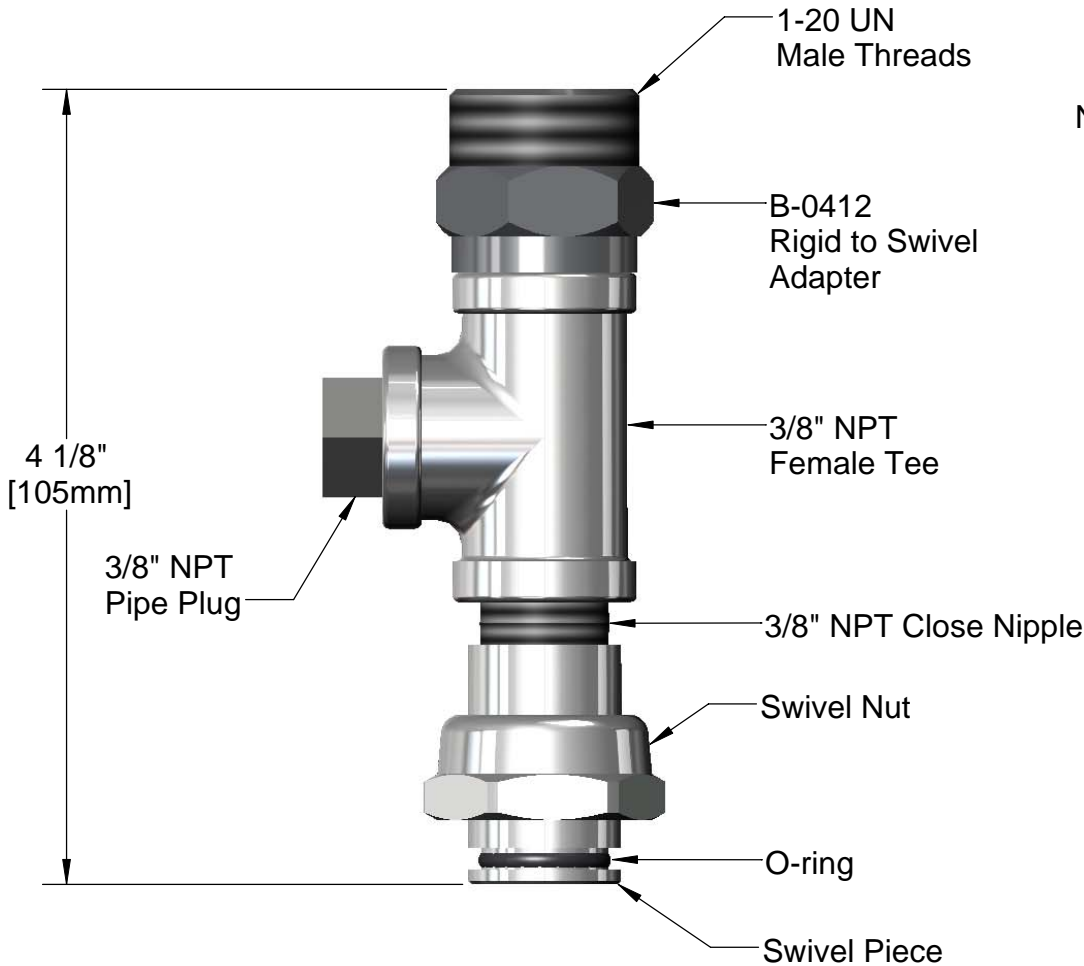
Customer/Wholesaler _____

Contractor _____

Architect/Engineer _____



Note: Swivel to Rigid Star Washer Included.



Product Specifications:

Swivel Tee Assembly (Chrome Plated)

Drawn
DHL

Checked
KJG

Approved
JHB

Scale:

1:1

Date:

09/10/09