



T&S BRASS AND BRONZE WORKS, INC.

2 Saddleback Cove / P.O. Box 1088
Travelers Rest, SC 29690



REG. #A2601
ISO #9001

Model No.
BL-4010-01

Item No.

Travelers Rest, SC: 800-476-4103 Simi Valley, CA: 800-423-0150 Fax: 864-834-3518 www.tsbrass.com

This Space for Architect/Engineer Approval

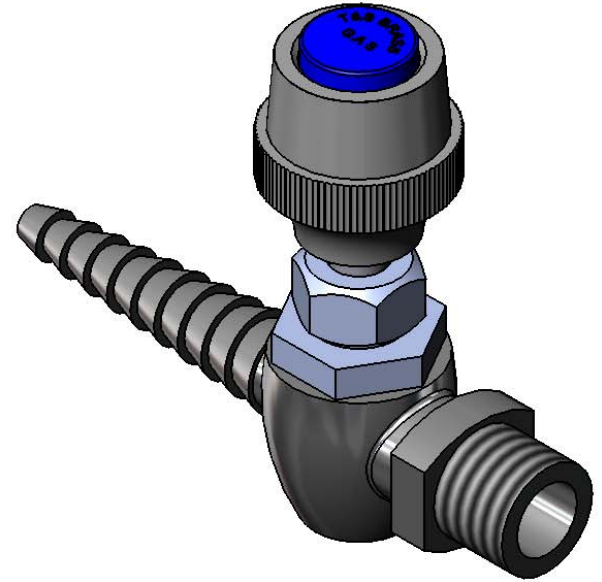
Job Name _____ Date _____

Model Specified _____ Quantity _____

Customer/Wholesaler _____

Contractor _____

Architect/Engineer _____



Note:

1. Maximum Rated Pressure is 80 PSI
2. Special Packing in Valve Suitable for Oxygen, Hydrogen, and Other Special Gases

Indexes Included



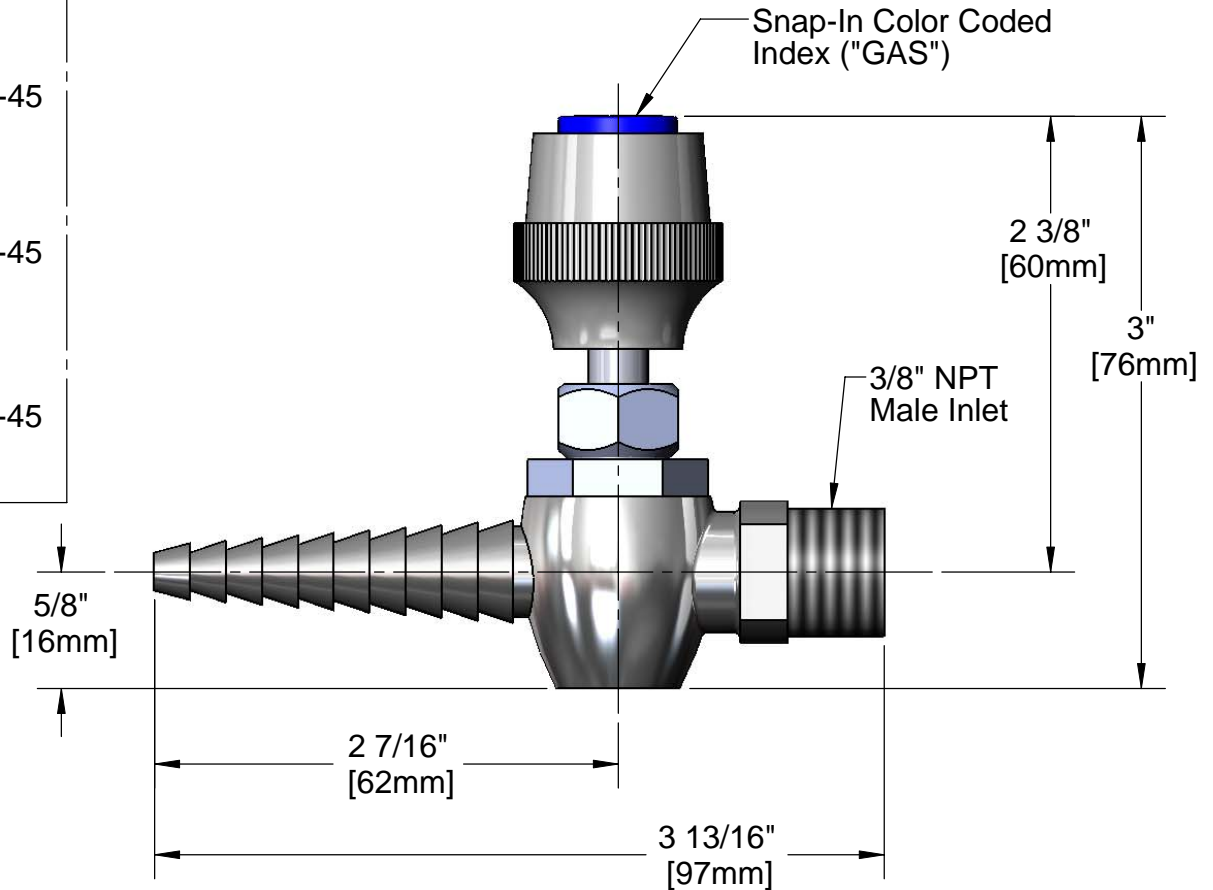
001197-45



001203-45



001200-45



Product Specifications:

Needle Hose Cock, For Use w/
Gases Up to 80 PSI, Hydrogen,
Oxygen, and Other Special Gases

Drawn
KJG

Checked
DHL

Approved
JHB

Scale:

1:1

Date:

01/19/10



T&S BRASS AND BRONZE WORKS, INC.

2 Saddleback Cove / P.O. Box 1088
Travelers Rest, SC 29690



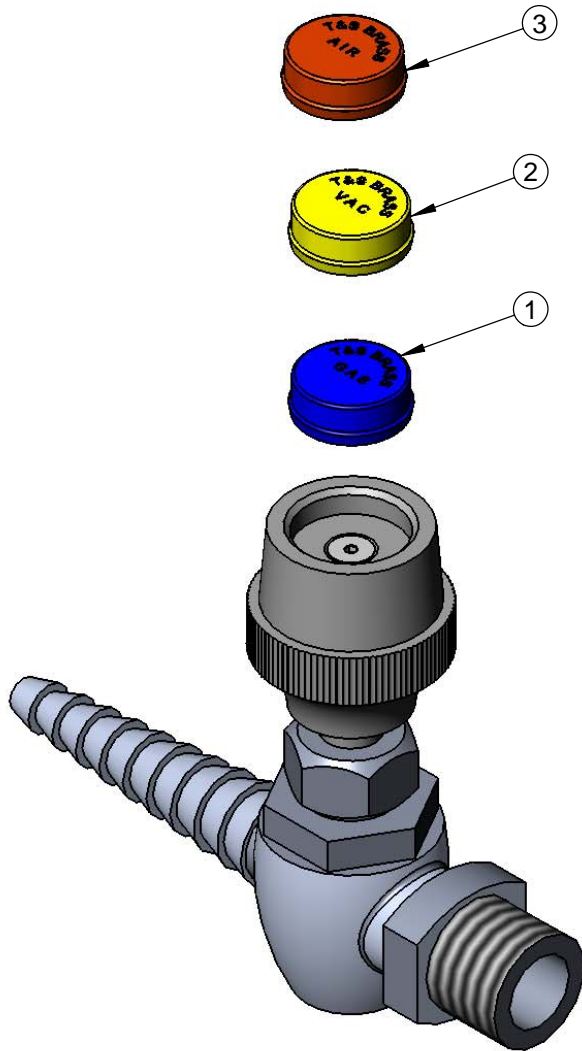
REG. #A2601
ISO #9001

Model No.
BL-4010-01

Item No.

Travelers Rest, SC: 800-476-4103 Simi Valley, CA: 800-423-0150 Fax: 864-834-3518 www.tsbrass.com

ITEM NO.	SALES NO.	DESCRIPTION
1	001197-45	Cap, Index, Blue, Gas
2	001200-45	Cap, Index, Yellow, Vacuum
3	001203-45	Cap, Index, Orange, Air



Note:

1. Item #1 Pre-Installed at Factory
2. Item #2 & Item #3 Included for Field Modifications

Product Specifications:

Needle Hose Cock, For Use w/
Gases Up to 80 PSI, Hydrogen,
Oxygen, and Other Special Gases

Drawn KJG	Checked DHL	Approved JHB
Scale: 1:1		Date: 01/19/10